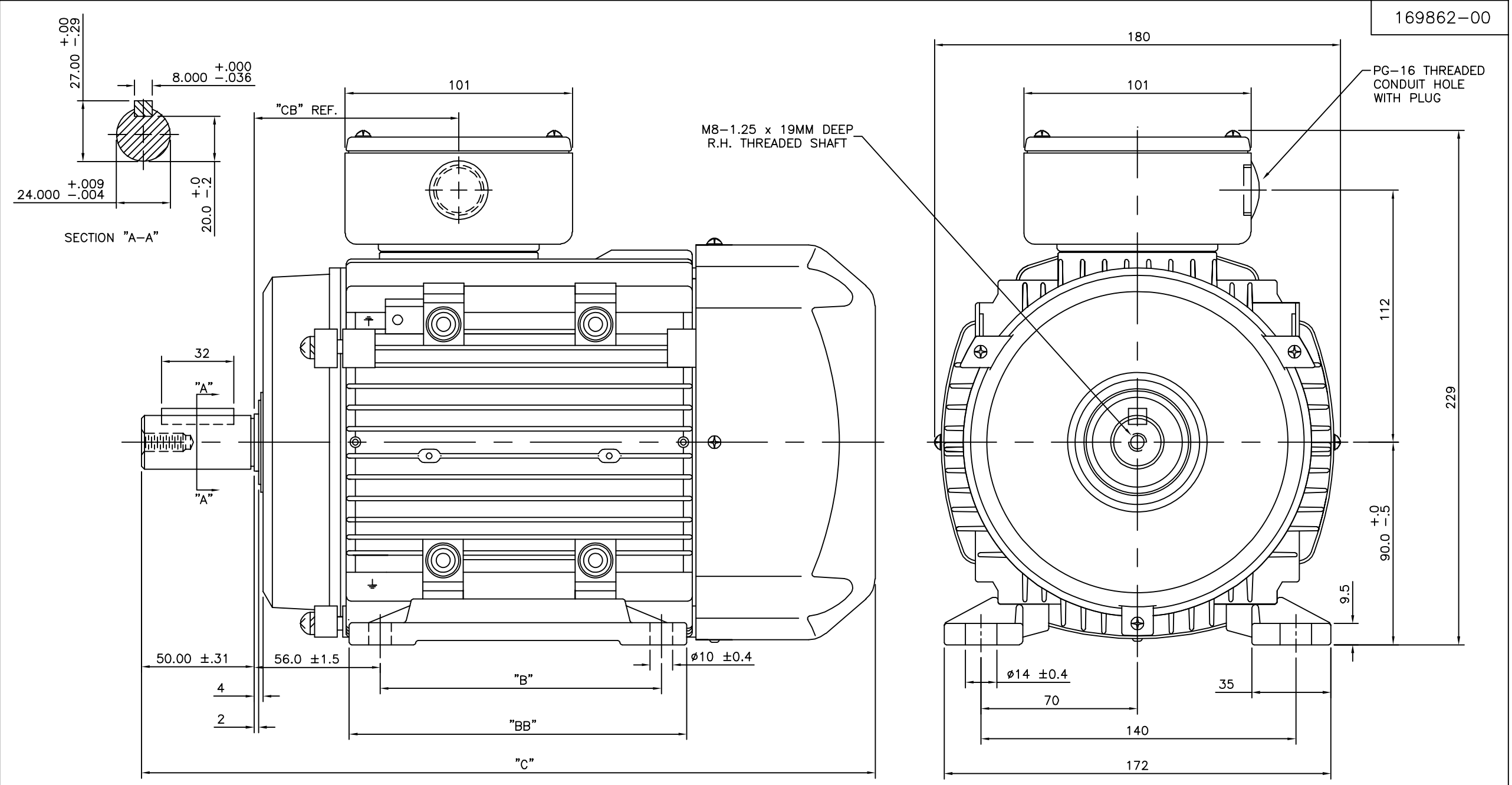


169862-00



FRAME DESIGN	"B"	"BB"	"CB"	"C"
90L	125 ± 0.7	150	91	341
90S	100 ± 0.7	125	79	326

		TOLERANCES UNLESS SPECIFIED		LEESON		ELECTRIC MOTORS GEARMOTORS AND DRIVES		DRAWN ADS 01/24/02	
		DEC.	METRIC					CHK	
		.X	± 2.5	TITLE		METRIC OUTLINE, IMB3 IEC-90 FRAME		SCALE	1=1.6
		.XX	$\pm .76$	MATERIAL		ALUMINUM		REF	OSVC-300-551
		.XXX	$\pm .127$	FINISH				FMF	
		.XXXX	$\pm .0127$	RFP		CAD FILE 16986200		PREV	
D Updated TitleBlock Logo To LEESON ECO-0072310		DRG	02/20/15	CHK	ANG	$\pm 1/2'$	FINISH		
NO.	REVISION	BY & DATE	CHK	ANG	$\pm 1/2'$	FINISH			
THIS DRAWING IN DESIGN AND DETAIL IS OUR PROPERTY AND MUST NOT BE USED EXCEPT IN CONNECTION WITH OUR WORK ALL RIGHTS OF DESIGN AND INVENTION ARE RESERVED THIS IS AN ELECTRONICALLY GENERATED DOCUMENT - DO NOT SCALE THIS PRINT				RFP	CAD FILE 16986200		SIZE	DRAWING NO.	REV.
				DIST			B	169862-00	D