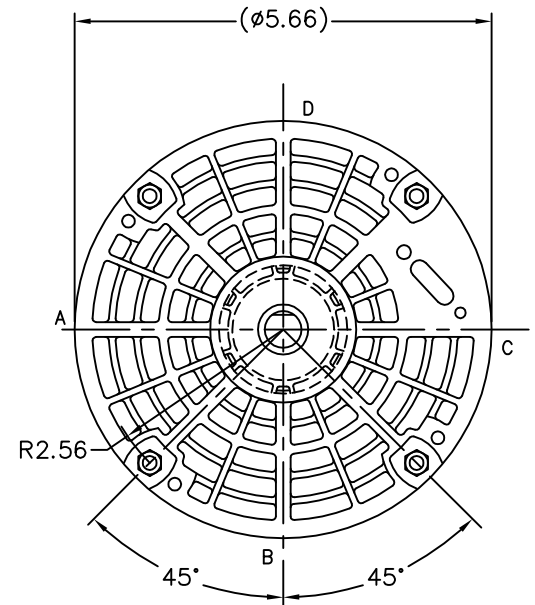
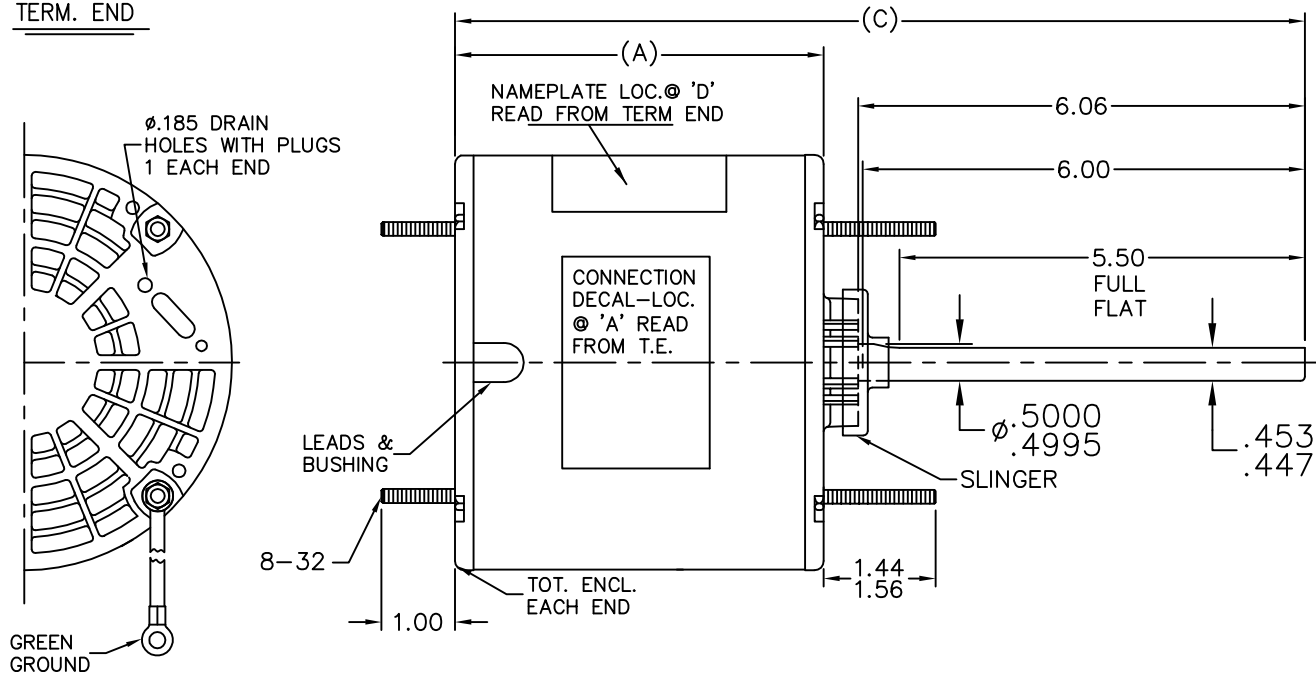


TERM. END



DASH	FRAME	C	A
325	48Y	10.25	3.75
375	48Y	10.75	4.25
425	48Y	11.25	4.75
450	48Y	11.50	5.00
475	48Y	11.75	5.25

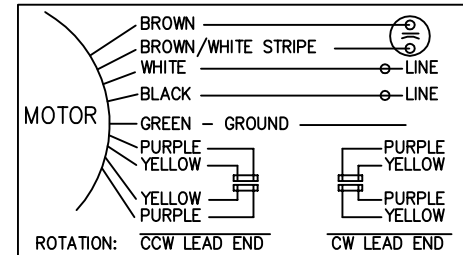
LEAD DESCRIPTION:

1 WHITE, 1BLACK, BARE WIRE STRIPPED .50, 30.00" LONG

1 BROWN AND 1 BROWN WITH WHITE MARK WITH .25 FLAG TYPE QUICK CONNECT 30.00" LONG. BROWN LEAD WITH WHITE MARK IS COMMON TO WHITE.

PURPLE AND YELLOW REVERSING LEADS ARE MOLDED INTO MATING PULL APART PLUGS 5.00" LONG.

GREEN GROUND WITH TERM. FOR #10 SCREW 12.00" LONG.



				TOLERANCES UNLESS SPECIFIED			DRAWN AD 12/29/09	
				DEC.	INCHES		CHK NB 12/29/09	
				.X	±.1		APPD NB 12/29/09	
				.XX	±.03		SCALE 3=8	
				.XXX	±.005		REF SS74406	
				.XXXX	±.0005	FMF		
NO.	REVISION	BY & DATE	CHK	ANG	±7'30"	FINISH	PREV	
						TITLE OUTLINE		
						MAT'L.		

THIS DRAWING IN DESIGN AND DETAIL IS OUR PROPERTY AND MUST NOT BE USED EXCEPT IN CONNECTION WITH OUR WORK ALL RIGHTS OF DESIGN AND INVENTION ARE RESERVED THIS IS AN ELECTRONICALLY GENERATED DOCUMENT - DO NOT SCALE THIS PRINT

RFP	CAD FILE ss74406	SIZE A	DRAWING NO. SS403894	PAGE OF	REV.
DIST WP					