

# Product Information Packet

January 12, 2017

Data shown is for the current revision model #. Ensure your nameplate model # matches.

<b>Model Number:</b>	<b>5KS284CAA304D2</b>
<b>Catalog Number:</b>	<b>E9625</b>
<b>Instruction Manual:</b>	GEI-56128
<b>Connection Diagram:</b>	GEM2034E-FIG1
<b>Outline Drawing:</b>	4002B5828RAP5201

## Accessory Connection Diagrams

<b>Bearing Thermocouple:</b>	None	<b>Heater:</b>	None
<b>RTD:</b>	None	<b>Thermistor:</b>	None
<b>Thermostat:</b>	3027JE-2A	<b>Winding Thermocouple:</b>	None
<b>Bearing RTD:</b>	None		

## Table of Contents

Specification	01
Performance Characteristics	02
Outline Drawing	03
Connection Drawing(s)	04
Spare parts	05



**Marks:**

<b>MODEL NUMBER:</b>	<b>5KS284CAA304D2</b>	<b>Estimated Weight:</b>	460 Lbs
<b>Outline Drawing:</b>	4002B5828RAP5201	<b>Time Rating:</b>	CONT
<b>Connection Diagram:</b>	GEM2034E-FIG1	<b>Enclosure:</b>	TEFC
<b>Instruction Book:</b>	GEI-56128	<b>Encl Construction:</b>	XP
<b>Design Code:</b>	28BD3093B	<b>Ambient Max(°C):</b>	40
<b>Type:</b>	KS	<b>Alt Ambient Max(°C):</b>	--
<b>Frame:</b>	284T	<b>Insulation Class:</b>	F
<b>Phases:</b>	3	<b>NEMA Design:</b>	B
<b>Poles:</b>	6	<b>Nominal Efficiency:</b>	91.7 %
<b>Output Power:</b>	15HP 11.1KW	<b>Guaranteed Efficiency:</b>	90.2
<b>RPM:</b>	1180	<b>3/4 Load Efficiency:</b>	92.1
<b>Voltage:</b>	575	<b>KVA Code:</b>	G
<b>Hertz:</b>	60	<b>Max KVAR:</b>	6.6
<b>Amps - FL:</b>	15.8	<b>Power Factor:</b>	77.5
<b>Service Factor:</b>	1.00	<b>Bearing - DE:</b>	6310ZC3
<b>Alt Service Factor:</b>	--	<b>Bearing - ODE:</b>	6310ZC3

**Enclosure is Totally Enclosed Fan-Cooled**

---

**Stamped Nameplate Notes:**

EXPLOSION PROOF MOTOR  
TEMP CODE T3C  
THERMOSTAT LEADS TB1-TB2  
STAMP NP249A5571AD "CL I (C & D) CL II (F & G)"

**Additional Information:**

6P - T EXTN  
STANDARD FLOOR MOUNT  
C/BOX 250 CU IN-2.00 NPT  
F1 CONDUIT BOX MOUNTING  
AUX LEADS EXIT WITH MOTOR LEADS  
CL I C & D CL II F & G EXPLOSION PROOF MOTOR

**Performance Characteristics**

1st Winding 1st Connection

**Design: 28BD3093B**

**Marks:**

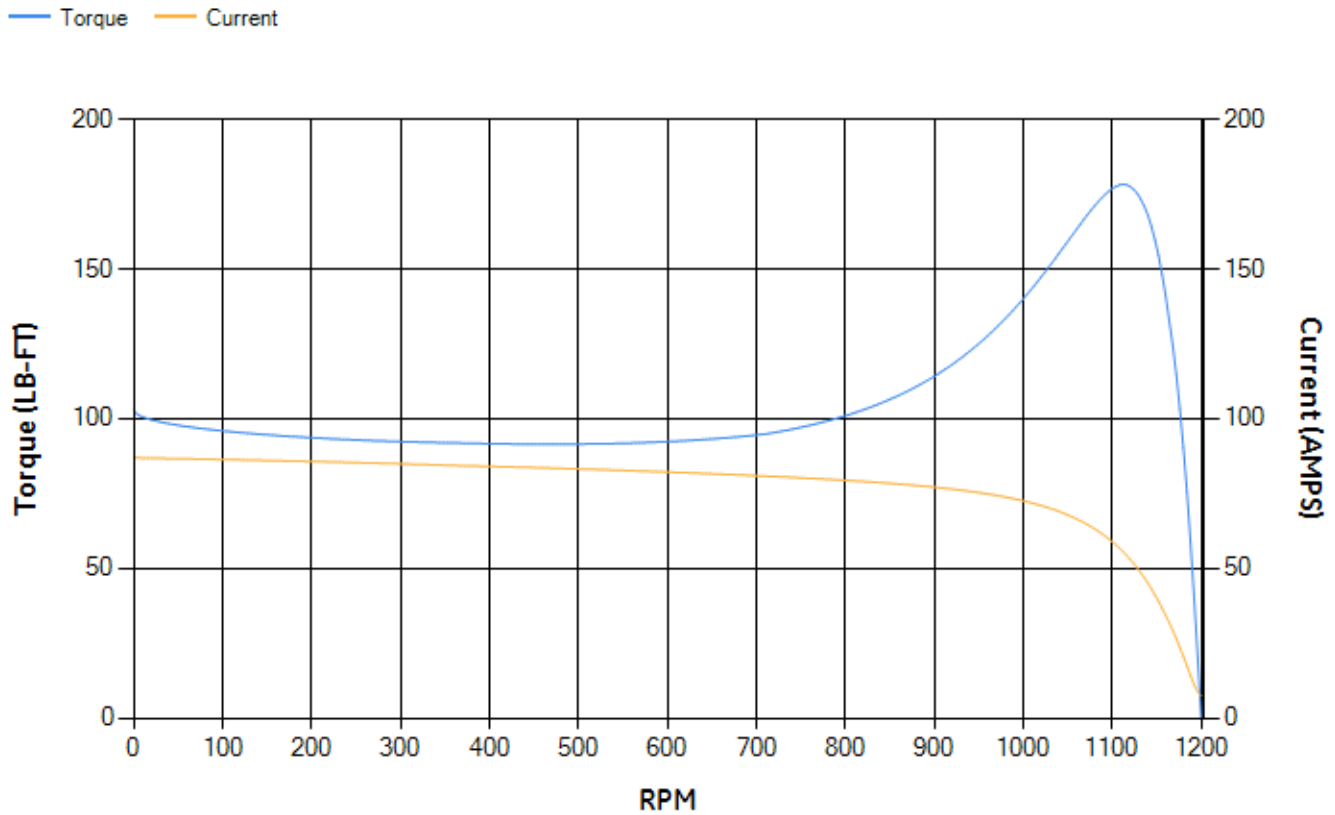
LOAD %	125.0	115.0	100.0	75.0	50.0	25.0	0.0
% EFF	90.57	91.03	91.78	92.06	91.51	87.55	0.00
% PF	80.34	79.57	77.73	72.02	60.58	38.86	4.54
AMPS	19.29	17.83	15.76	12.71	10.13	8.25	7.42

<b>TORQ(FL)#FT</b>	66.61	<b>TORQ(LR)%FL</b>	154.57	<b>TORQ(BD)%FL</b>	266.96
<b>AMPS(LR)</b>	86.92	<b>PF AT START</b>	0.37		

This motor is capable of two cold or one hot start with a maximum connected load inertia of 883 Lb-Ft Sq (37.17 Kg-meter Sq)at 100% voltage, where the load torque varies with the square of the speed. Acceleration time with maximum inertia and the above load type is 40 seconds. Safe stall time at 100% voltage is 90 seconds cold, 59 seconds hot. Rotor inertia is 5.18 Lb-Ft Sq (0.22 Kg-meter Sq).

<b>Open Circuit A-C:</b>	0.358	<b>Short Circuit D-C:</b>	0.012
<b>Short Circuit A-C:</b>	0.027	<b>X/R Ratio:</b>	4.673
<b>Stator Slots:</b>	54	<b>Rotor Slots:</b>	42

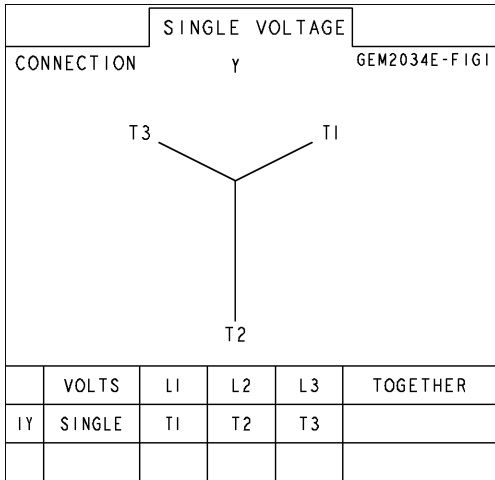
**Speed Torque Current Curve (First Connection, First Speed)**



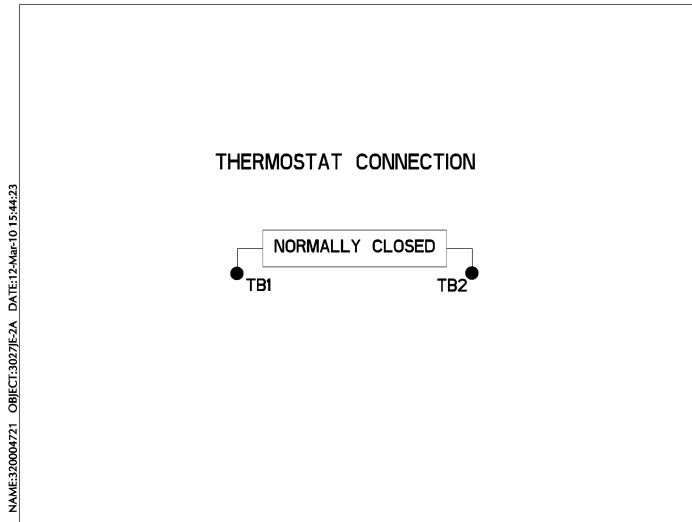


Marks:

**Connection Diagram**  
**GEM2034E-FIG1**



**Thermostat Connection**  
**3027JE-2A**



End shield Assembly		
Part Description	DE Side Part#	ODE Side Part#
End Shield	4004D5274PA1	4004D5274SA1
Bearing		
Slinger/Inproseal		

Fan & Fan Cover Assembly	
Part Description	Part#
Fan	159C6900G01
Fan Cover	

Conduit & Accessories Box Assembly	
Part Description	Part#
Conduit Box	4002B5732RA-G01

Mechanical Accessories	
Part Description	Part#
Brake	
Tachometer	