

# Product Information Packet

November 9, 2016

Data shown is for the current revision model #. Ensure your nameplate model # matches.

<b>Model Number:</b>	<b>5KS145STE207A</b>
<b>Catalog Number:</b>	<b>M7525</b>
<b>Instruction Manual:</b>	GEI-M1031
<b>Connection Diagram:</b>	GEM2034E-FIG1
<b>Outline Drawing:</b>	358B6269AB

Accessory Connection Diagrams			
<b>Bearing Thermocouple:</b>	None	<b>Heater:</b>	None
<b>RTD:</b>	None	<b>Thermistor:</b>	None
<b>Thermostat:</b>	None	<b>Winding Thermocouple:</b>	None
<b>Bearing RTD:</b>	None		

Table of Contents	
Specification	01
Performance Characteristics	02
Outline Drawing	03
Connection Drawing(s)	04

**Marks:**

<b>MODEL NUMBER:</b>	<b>5KS145STE207A</b>	<b>Estimated Weight:</b>	60 Lbs
<b>Outline Drawing:</b>	358B6269AB	<b>Time Rating:</b>	CONT
<b>Connection Diagram:</b>	GEM2034E-FIG1	<b>Enclosure:</b>	TEFC
<b>Instruction Book:</b>	GEI-M1031	<b>Encl Construction:</b>	SD
<b>Design Code:</b>	14AD1013B	<b>Ambient Max(°C):</b>	40
<b>Type:</b>	KS	<b>Alt Ambient Max(°C):</b>	--
<b>Frame:</b>	145T	<b>Insulation Class:</b>	F
<b>Phases:</b>	3	<b>NEMA Design:</b>	B
<b>Poles:</b>	4	<b>Nominal Efficiency:</b>	86.5 %
<b>Output Power:</b>	2HP 1.5KW	<b>Guaranteed Efficiency:</b>	84.0
<b>RPM:</b>	1730	<b>3/4 Load Efficiency:</b>	88.9
<b>Voltage:</b>	575	<b>KVA Code:</b>	L
<b>Hertz:</b>	60	<b>Max KVAR:</b>	0.9
<b>Amps - FL:</b>	2.2	<b>Power Factor:</b>	79.5
<b>Service Factor:</b>	1.15	<b>Bearing - DE:</b>	6205ZZC3
<b>Alt Service Factor:</b>	--	<b>Bearing - ODE:</b>	6205ZZC3

**Enclosure is Totally Enclosed Fan-Cooled**

---

**Stamped Nameplate Notes:****Additional Information:**

4 POLE, TEFC, LRA: 16.1 AMPS  
 SOUND POWER : 70.0 DBA  
 GREASE: SHELL ALVANIA R3 LITHIUM GREASE  
 NO. OF MOTOR LEADS: 3  
 CONDUIT BOX VOLUME (CU IN): 47.1  
 CONDUIT BOX MATERIAL: CAST IRON  
 SUITABLE FOR USE IN CLASS I DIVISION 2 LOCATIONS  
 CLASS I DIVISION 2 GROUPS A,B,C,D T3C  
 CLASS I ZONE 2 IIC T3C

**Performance Characteristics**

1st Winding 1st Connection

**Design: 14AD1013B**

Marks:

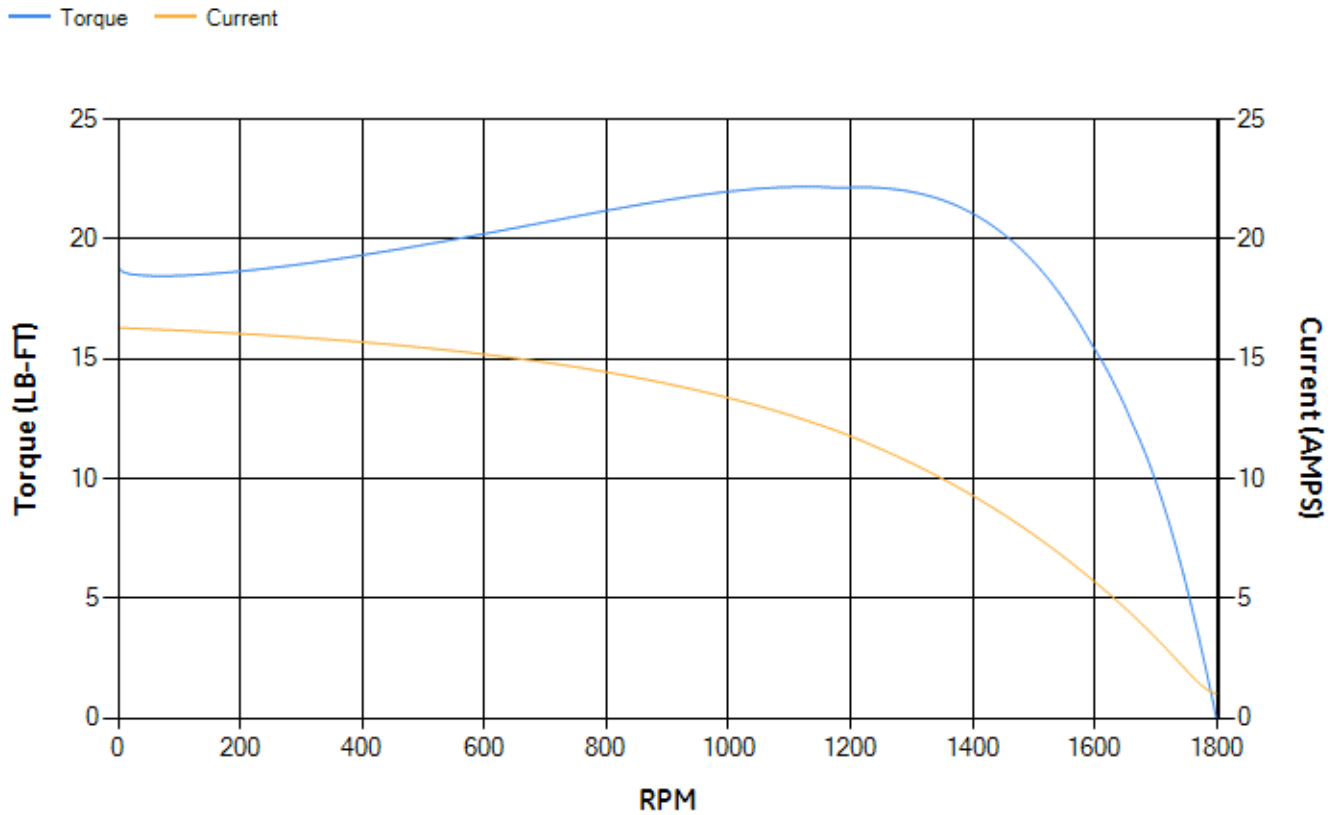
LOAD %	125.0	115.0	100.0	75.0	50.0	25.0	0.0
% EFF	86.82	87.45	88.42	88.88	88.15	82.85	0.00
% PF	82.51	81.5	79.32	73.09	61.26	39.7	6.47
AMPS	2.61	2.42	2.14	1.73	1.39	1.14	1.02

TORQ(FL)#FT	6.06	TORQ(LR)%FL	310.52	TORQ(BD)%FL	359.68
AMPS(LR)	16.29	PF AT START	0.55		

This motor is capable of two cold or one hot start with a maximum connected load inertia of 90 Lb-Ft Sq (3.79 Kg-meter Sq)at 100% voltage, where the load torque varies with the square of the speed. Acceleration time with maximum inertia and the above load type is 29 seconds. Safe stall time at 100% voltage is 70 seconds cold, 49 seconds hot. Rotor inertia is 0.13 Lb-Ft Sq (0.01 Kg-meter Sq).

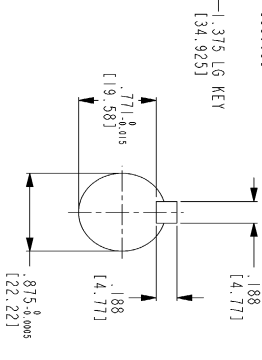
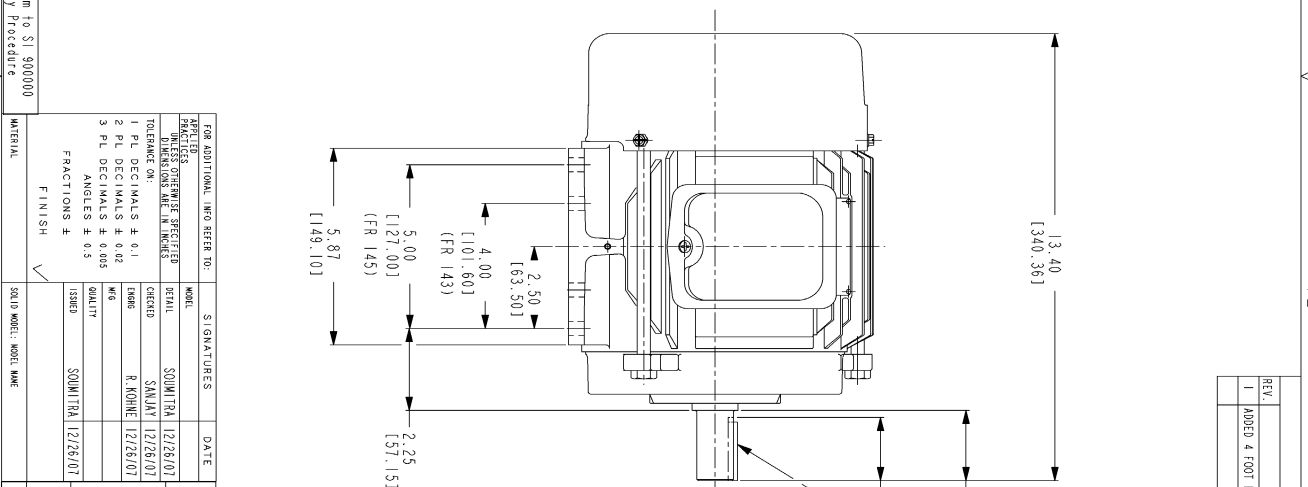
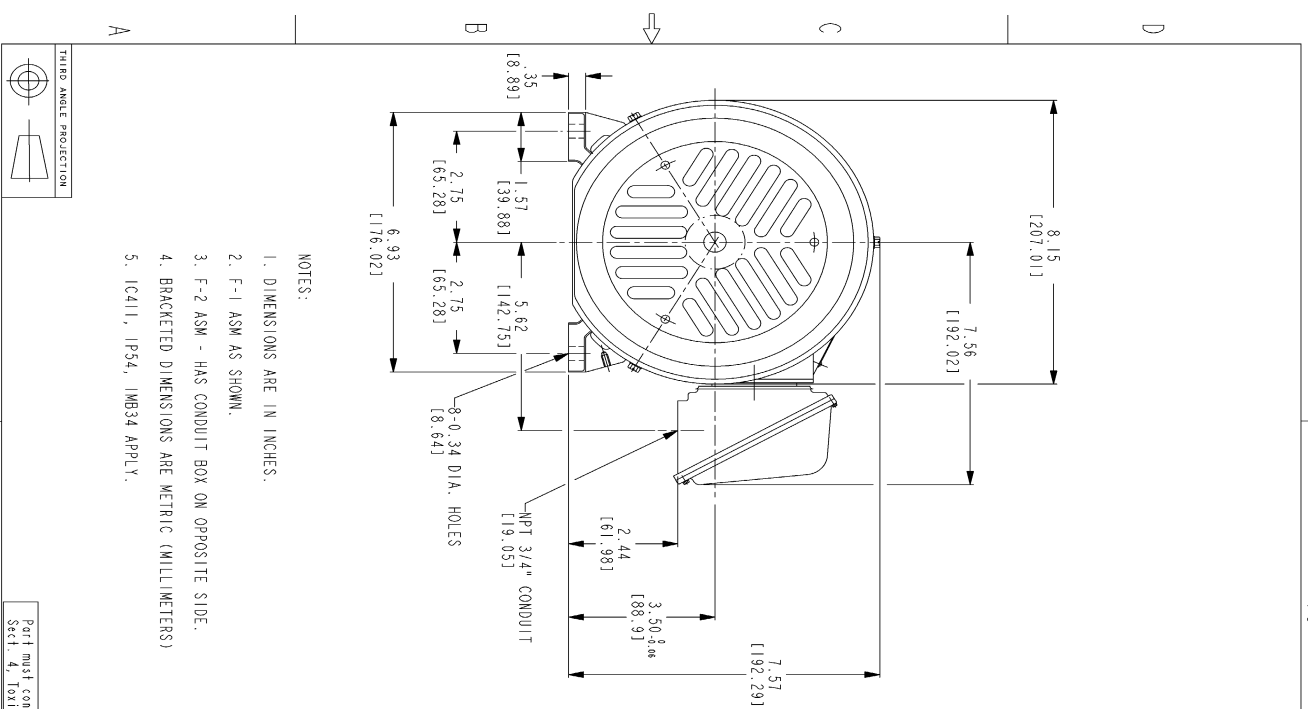
Open Circuit A-C:	0.139	Short Circuit D-C:	0.007
Short Circuit A-C:	0.007	X/R Ratio:	2.679
Stator Slots:	36	Rotor Slots:	28

**Speed Torque Current Curve (First Connection, First Speed)**

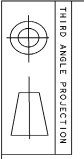


NAME:501452442 OBJECT:358B6269AB DATE:22-Jan-09 11:08:53

Marks:



NOTES:  
 1. DIMENSIONS ARE IN INCHES.  
 2. F-1 ASM AS SHOWN.  
 3. F-2 ASM - HAS CONDUIT BOX ON OPPOSITE SIDE.  
 4. BRACKETED DIMENSIONS ARE METRIC (MILLIMETERS)  
 5. IC411, 1P94, 1MB34 APPLY.



THIRD ANGLE PROJECTION

Part must conform to SI 900000  
 Sect 4, Toxicity Procedure

REV.	DESCRIPTION	DATE	APPROVED
1	ADDED 4 FOOT HOLES	01/21/09	R. PALO

FOR ADDITIONAL INFO REFER TO:		SIGNATURES		DATE	
REVISIONS	DETAIL	DATE	DATE	DATE	DATE
1	SOUMITRA	12/26/07	SOUMITRA	12/26/07	
2	SKALVI	12/26/07	R. KOHLE	12/26/07	
3	WE				
4	ISSUED	SOUMITRA	12/26/07		

MATERIAL		FINISH	
SOLID MODEL MODEL NAME		C	

GE Consumer & Industrial GENERAL ELECTRIC COMPANY	
TITLE <b>OUTLINE</b> FTD - H37/H37 TERC CE MARK 471 CU IN CONDUIT BOX	
SCALE: DRAWING SCALE	SHEET 1 OF 1 <b>358B6269AB</b>

Marks:

**Connection Diagram**  
**GEM2034E-FIG1**

