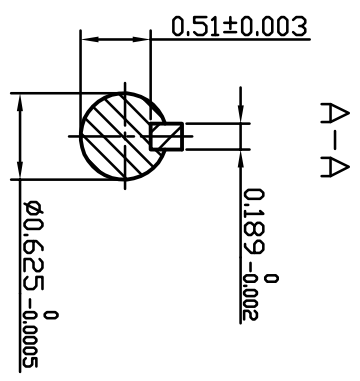
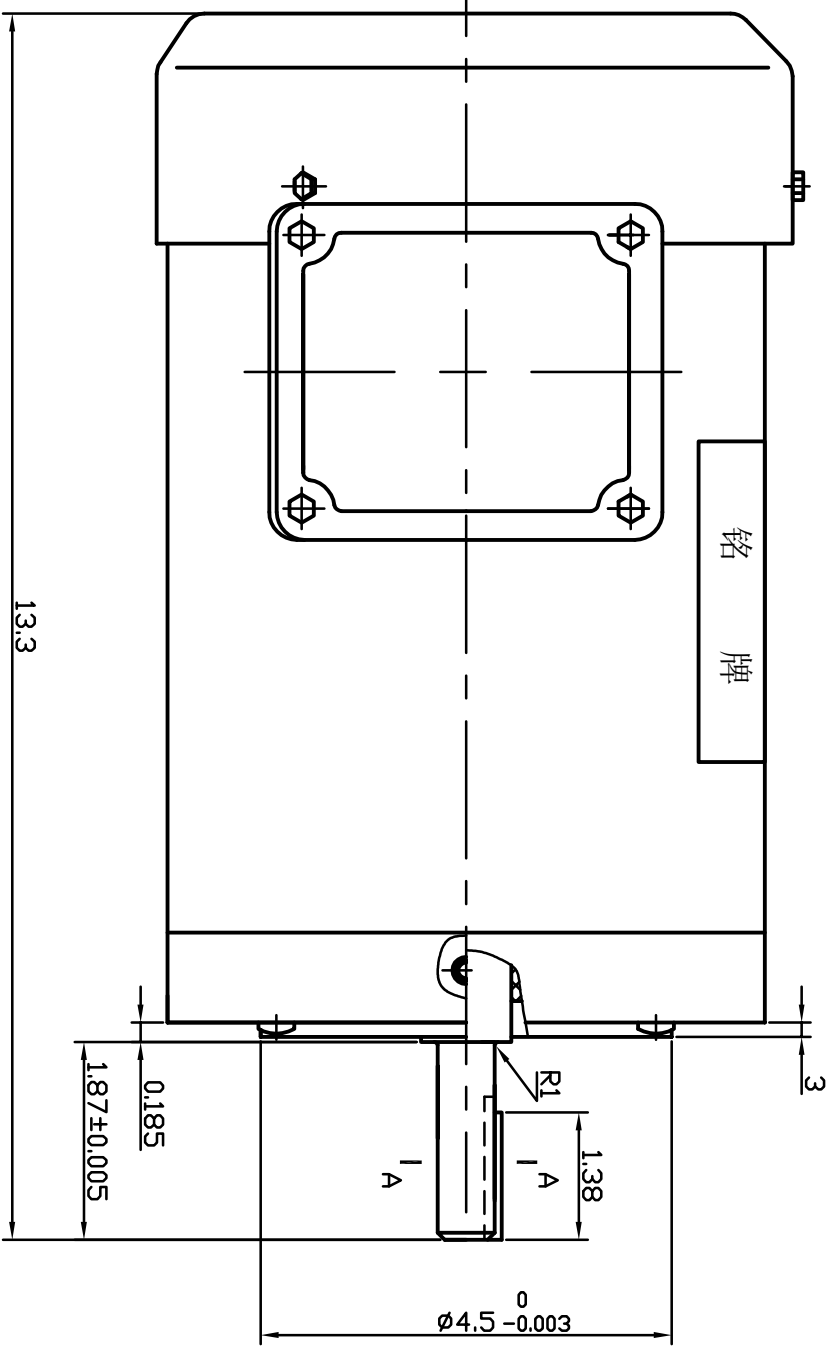
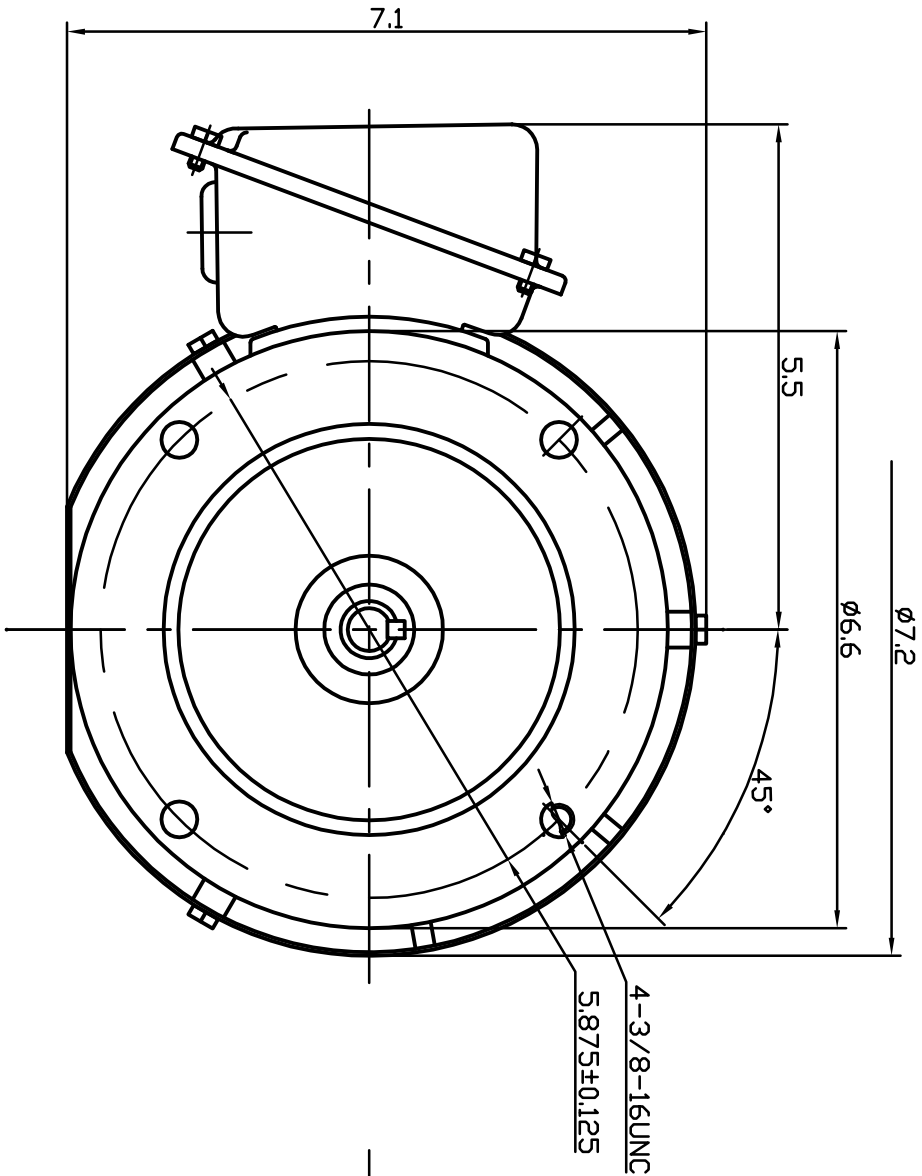


REV	ECO	REV BY	DATE	APPD	DATE



UL MODEL NO.	HP	VOLTS	HZ	PH	RPM	thermal protector	IP
056T11WD5379	1	230/460	60	3	1160	NONE	55

DR BY:		EDS DATE	
APPD:		VERSION	
FIRST ANGLE PROJECTION			
DESCRIPTION 056T11WD5379			
GW ELECTRIC (SHANGHAI) Co., Ltd.			

CONFIDENTIAL PROPERTY OF GW ELECTRIC (SHANGHAI) CORPORATION AND ARE NOT TO BE DISCLOSED, DUPLICATED, OR OTHERWISE USED WITHOUT THE WRITTEN CONSENT OF GW ELECTRIC (SHANGHAI) CORPORATION, OR ITS AGENT, AG-I MOTORTEC INC. - ALL RIGHTS RESERVED

SIZE: A3 DWG NO: SCALE: 1:2 SHEET