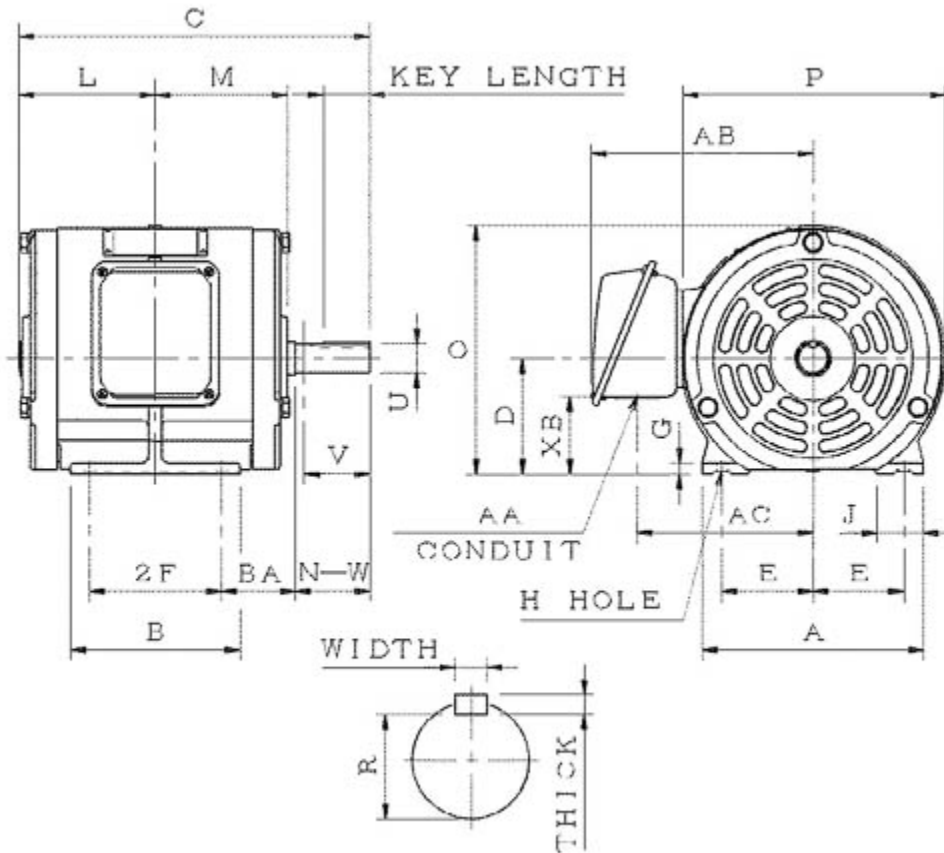


Dimensional Drawing

| | | | | | | | | |
|-----------|-------|----|------|-----|------------|-------------|----|------|
| Catalogue | Model | HP | Pole | kW | Rating | Voltage | Hz | RPM |
| SDP0024 | ASHH | 2 | 4 | 1.5 | Continuous | 230 / 460 V | 60 | 1800 |



ASHH-SMP-1

| Frame Size | Mounting | | | | | A | B | C | CD | D | |
|------------------|----------|-----|----------|---------|--------------------|-------------|------------|-------|------------------------------|------------|---------|
| | E | 2F | 2F2 | H | BA | | | | | | |
| 145T | 2.75 | 5 | | 0.34 | 2.25 | 6.7 | 5.9 | 11.65 | | 3.5 | |
| G | J | K | L | M | O | P | T | Key | | | Keyseat |
| 0.35 | 1.4 | | 4.65 | 4.5 | 7.5 | 7.87 | | Width | Thick | Length | R |
| | | | | | | | | 0.188 | 0.188 | 1.41 | 0.771 |
| Terminal Housing | | | | Aux Box | | C/D Flange | | | | | |
| AA | AB | AC | XB | AE | AX | BB | AH | AK | BD | AJ | BF |
| 1.1 | 6.7 | 5.3 | 2.3 | | | | | | | | |
| Shaft Extension | | | Bearings | | Approx. Weight Lbs | SPL dBA/3ft | Ins. Class | S.F. | Drive Method | Dimensions | |
| N-W | U | V | DE | NDE | | | | | | | |
| 2.25 | 0.875 | 2.2 | 6205ZZ | 6205ZZ | 66 | 50 | F | 1.15 | Direct Coupling / Belt Drive | Inches | |

Technical Data Sheet

Motor Type: ASHH

Catalogue No: SDP0024

Nameplate Information

| | | | | | | |
|-----------|------------|----------------|-------------|-------------|--------------|----------------|
| HP | Pole | RPM | Frame | Voltage | Hz | Phase |
| 2 | 4 | 1735 | 145T | 230 / 460 | 60 | 3 |
| Enclosure | Ins. Class | Service Factor | Time Rating | NEMA Design | Rated Amb. | Rated Altitude |
| ODP | F | 1.15 | Continuous | B | -40 to 40 °C | <3300 ft |

Typical Performance

| Efficiency (%) | | | | Power Factor (%) | | |
|-------------------|-----------------------------|---------------------------------|--------------------------------------|---------------------|-----------|--------------------------------|
| Full Load | | 3/4 Load | 1/2 Load | Full Load | 3/4 Load | 1/2 Load |
| Nom. | Min. | | | | | |
| 86.5 | 84.0 | 87.5 | 86.5 | 79.5 | 72.5 | 59.5 |
| Torque | | | | Current (A) | | |
| Full Load (lb-ft) | Locked Rotor (% FLT) | Pull Up (% FLT) | Break Down (% FLT) | No Load | Full Load | Locked Rotor |
| 6.05 | 250 | 210 | 315 | 2.7 / 1.4 | 5.5 / 2.7 | 50 / 25 |
| NEMA KVA Code | Inertia (WR ²) | | | Safe Stall Time (s) | | Noise Level Sound Press. dB(A) |
| | Rotor (lb-ft ²) | NEMA Load (lb-ft ²) | Max. Allowable (lb-ft ²) | Cold | Hot | |
| L | 0.108 | 11 | 35 | 24 | 17 | 50 |

VFD Duty Information

| Speed Range | | | VFD | | S.F. |
|-----------------|-----------------|----------------|---------|--------------|----------|
| Constant Torque | Variable Torque | Constant Power | Carrier | Type | |
| 6-60Hz | 3-60Hz | 60-120Hz | ≤ 5 kHz | VPWM or CPWM | 1.0 Only |

Additional Information

| Bearings | | Approx. Weight |
|----------|--------|----------------|
| DE | NDE | lbs |
| 6205ZZ | 6205ZZ | 66 |

Hazardous Locations Information

| | |
|----------------------------|---|
| N/A | |
| Temp Code (Sinewave / VFD) | / |