

Product Information Packet

January 13, 2017

Data shown is for the current revision model #. Ensure your nameplate model # matches.

Model Number:	5KS256DAE5026B
Catalog Number:	V4205
Instruction Manual:	GEK-95353
Connection Diagram:	GEM2034E-FIG9
Outline Drawing:	4002B5825NMP5210

Accessory Connection Diagrams			
Bearing Thermocouple:	None	Heater:	3027JE-1C
RTD:	None	Thermistor:	None
Thermostat:	None	Winding Thermocouple:	None
Bearing RTD:	None		

Table of Contents

Specification	01
Performance Characteristics	02
Outline Drawing	03
Connection Drawing(s)	04
Spare parts	05



Marks:

MODEL NUMBER:	5KS256DAE5026B	Estimated Weight:	315 Lbs
Outline Drawing:	4002B5825NMP5210	Time Rating:	CONT
Connection Diagram:	GEM2034E-FIG9	Enclosure:	WPI
Instruction Book:	GEK-95353	Encl Construction:	OPEN
Design Code:	25BD0072A	Ambient Max(°C):	40
Type:	KS	Alt Ambient Max(°C):	--
Frame:	L256TP10	Insulation Class:	H
Phases:	3	NEMA Design:	B
Poles:	2	Nominal Efficiency:	91 %
Output Power:	20HP 14.8KW	Guaranteed Efficiency:	89.5
RPM:	3550	3/4 Load Efficiency:	92.4
Voltage:	230/460	KVA Code:	G
Hertz:	60	Max KVAR:	3.3
Amps - FL:	46.0/23.0	Power Factor:	89.5
Service Factor:	1.15	Bearing - DE:	7309
Alt Service Factor:	--	Bearing - ODE:	6209-2ZC3

Enclosure is Weather Protected One

Stamped Nameplate Notes:

PREMIUM EFFICIENT MOTOR
 NEMA ENCL WPI AND CSA ENCL DP
 ROT CCW FACING ODE LEAD/PH SEQUENCE 1-2-3/1-2-3
 HTR LDS HE1-HE2 115V 60W
 INVERTER DUTY PER NEMA MG1 PART 31
 ALTERNATE RATING FOR PWM CONTROL:
 1.0 SF VAR TORQUE RANGE 10-60 HZ
 SUITABLE FOR 15HP, 190/380V,
 50 HZ WITH 41.8/20.9AMPS AND 2955 RPM AT 1.0 SF

Additional Information:

2P - TP EXTN
 C/BOX 137 CU IN-1.25 NPT
 AUX LEADS EXIT WITH MOTOR LEADS
 RCF 5000 CPM, STATIC DEFLECTION .0014 INCHES &
 CENTER OF GRAVITY 10.75 INCHES
 HOLLOW SHAFT HIGH THRUST
 OIL RESISTANT SLEEVING ON LEADS
 BEARING LIFE 4365 HOURS AT 2600 LB THRUST
 BEARING LIFE 8760 HOURS AT 2048 LB THRUST
 BALL TYPE COUPLING
 COUPLING WILL BE ORDERED SEPARATELY
 DP STOCK 10/24/2016
 ENGINEERED BY: BALASUBRAMANIANH/BILURP

Performance Characteristics

1st Winding 1st Connection

Design: 25BD0072A

Marks:

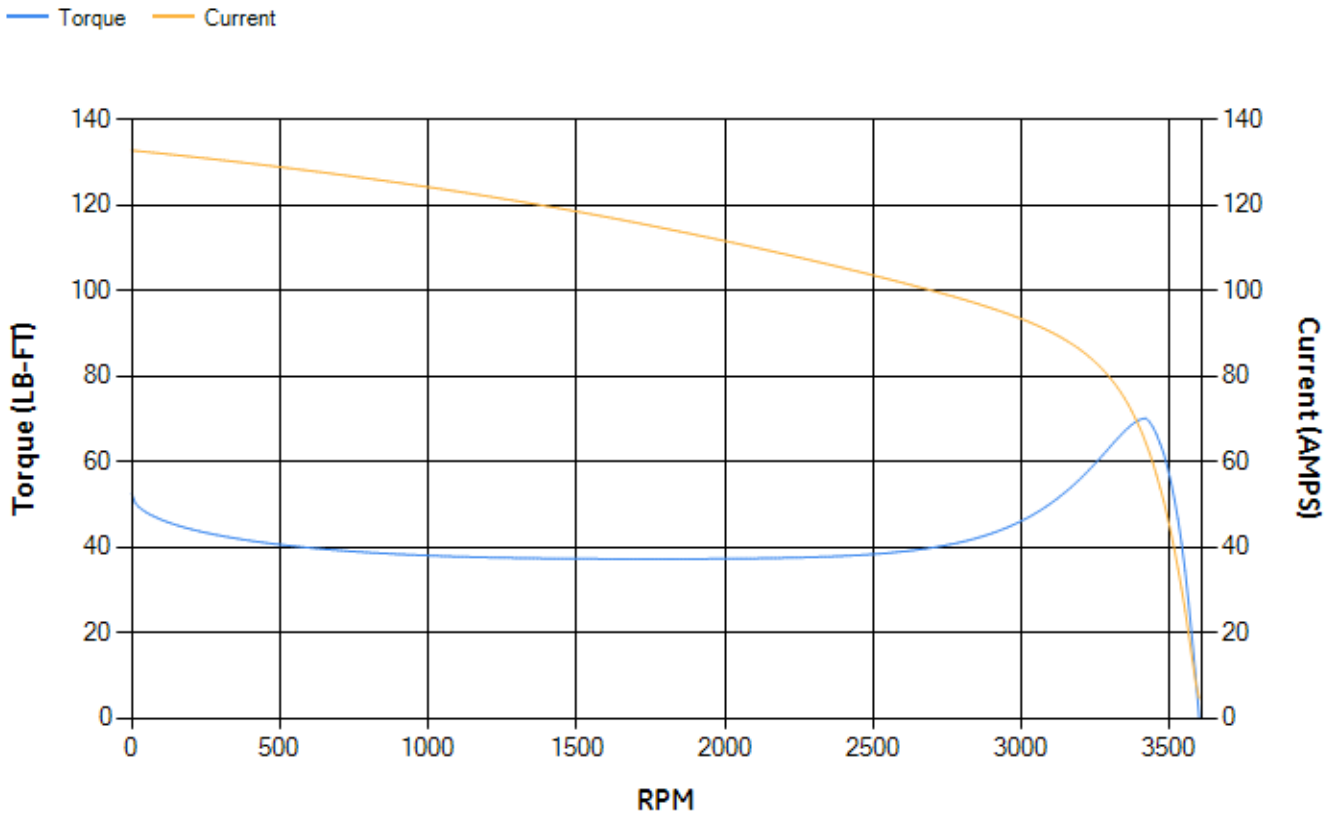
LOAD %	125.0	115.0	100.0	75.0	50.0	25.0	0.0
% EFF	89.21	90.06	91.31	92.35	92.71	90.49	0.00
% PF	87.85	88.66	89.39	89.26	86.08	72.15	8.76
AMPS	29.86	26.96	22.93	17.03	11.73	7.17	4.54

TORQ(FL)#FT	29.6	TORQ(LR)%FL	177.48	TORQ(BD)%FL	235.71
AMPS(LR)	132.75	PF AT START	0.31		

This motor is capable of two cold or one hot start with a maximum connected load inertia of 126 Lb-Ft Sq (5.3 Kg-meter Sq) at 100% voltage, where the load torque varies with the square of the speed. Acceleration time with maximum inertia and the above load type is 46 seconds. Safe stall time at 100% voltage is 79 seconds cold, 64 seconds hot. Rotor inertia is 1.18 Lb-Ft Sq (0.05 Kg-meter Sq).

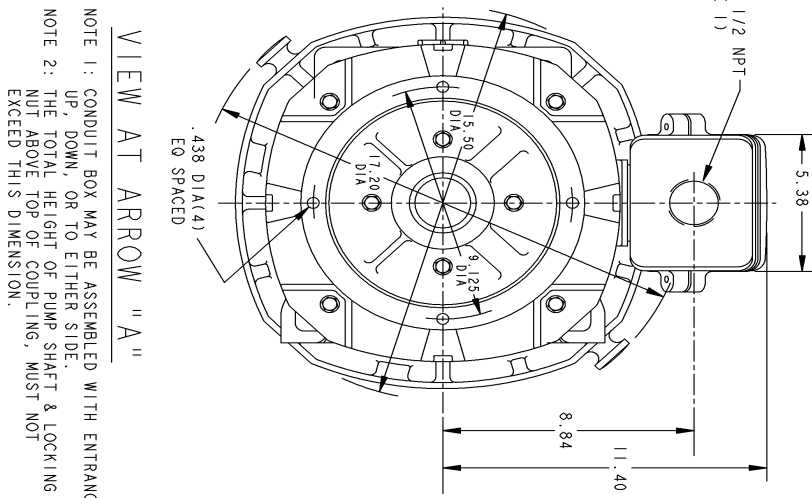
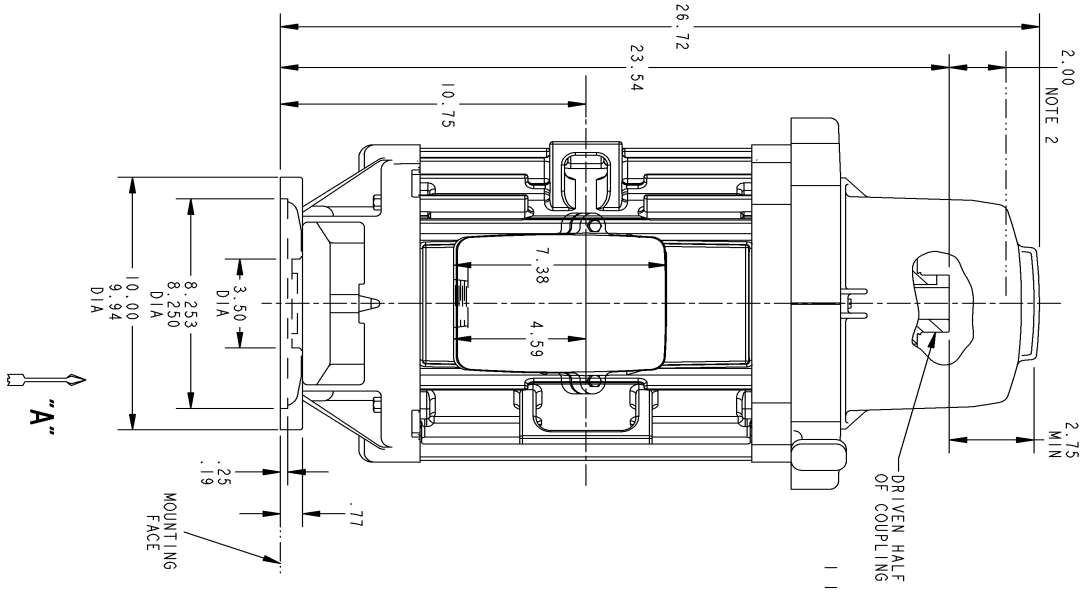
Open Circuit A-C:	0.991	Short Circuit D-C:	0.013
Short Circuit A-C:	0.034	X/R Ratio:	5.026
Stator Slots:	36	Rotor Slots:	26

Speed Torque Current Curve (First Connection, First Speed)



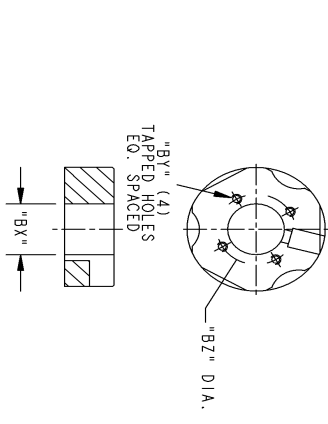
NAME:320002276 OBJECT:4002B5825NMP5210 DATE:17-Feb-09 17:50:51

Marks:



VIEW AT ARROW "A"
 NOTE 1: CONDUIT BOX MAY BE ASSEMBLED WITH ENTRANCE UP, DOWN, OR TO EITHER SIDE.
 NOTE 2: THE TOTAL HEIGHT OF PUMP SHAFT & LOCKING NUT ABOVE TOP OF COUPLING, MUST NOT EXCEED THIS DIMENSION.

CAD NO.	4002B5825NMP5210	PETERBOROUGH	4002B5825NMP5210
REF.	4002B5825NMP210	MOTOR PLANT	CONT. ON SH. -
PLOT CLASS		INDUCTION MOTOR OUTLINE	
PLOT SCALE	.25	C.I.R.	
FIRST MADE FOR FR250		WP-1	STANDARD "P" BASE VERTICAL
HOLLOW SHAFT - HIGH THRUST		(BD=10)	

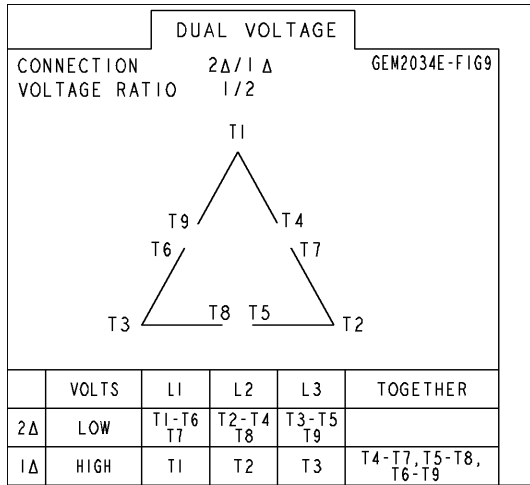


COUPLING KIT	GR.	"BY"	"BZ"	BONE DIA.	"BX"	"W"	"D"
4002B5825AA NON-REVERSE	1	1/4-20	1.750	1.352	1.452		
	2			1.189	1.188	250	.125
	3			1.002	1.002		
4002B5825AB BOLTED OR SELF-RELEASE	4	#10-32	1.375	.817	.816		
	5			.752	.752	.188	.094
	6			1.251	1.251	.375	.188
	7	1/4-20	1.750	1.252	1.252	.375	.188
8	1/4-20	1.750	1.251	1.251	1.251	.375	.188

CAD DRAWING - NO MANUAL REVISIONS PERMITTED		PRINTS TO	
REV	DESCRIPTION	DATE	INT'L
1	ISAAC NO: #09-0117 ATUL	02/16/09	RAGH
4002B5825NMP5210		4002B5825NMP5210	
DRAWN		NAME	DATE
VILAV			08/16/03
CHECKED		ADINARAYANA	08/16/03

Marks:

Connection Diagram
GEM2034E-FIG9



Heater Connection
3027JE-1C



End shield Assembly		
Part Description	DE Side Part#	ODE Side Part#
End Shield	128D6124PA1	128D6128PA1
Bearing	235A2507AC01	235A2507EE01
Slinger/Inproseal	235A2300FL3	

Fan & Fan Cover Assembly	
Part Description	Part#
Fan	
Fan Cover	

Conduit & Accessories Box Assembly	
Part Description	Part#
Conduit Box	4002B5728PA-G04

Mechanical Accessories	
Part Description	Part#
Brake	
Tachometer	