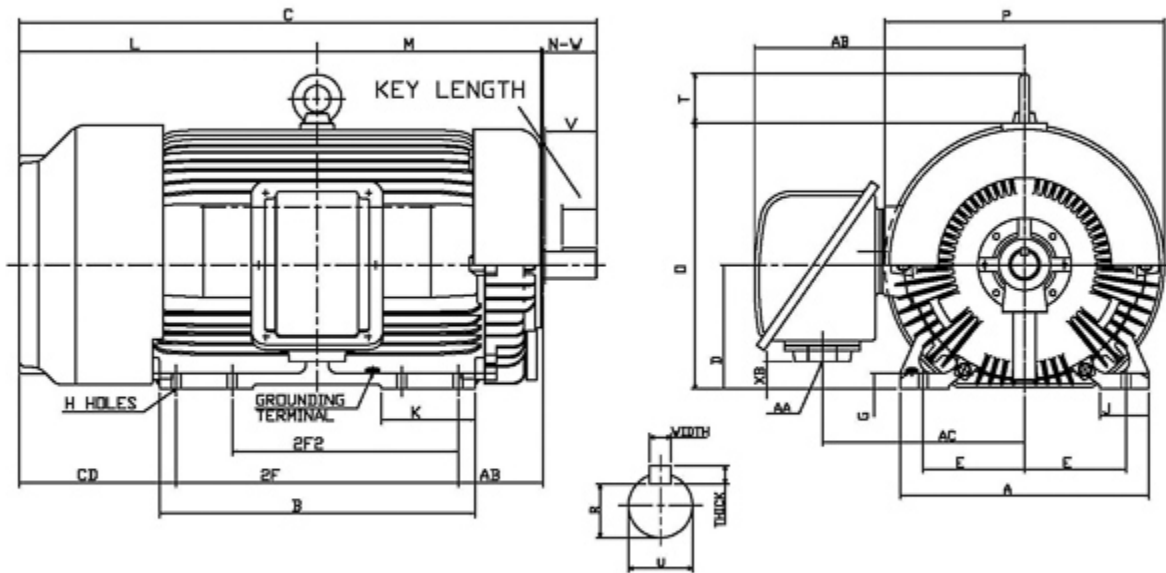


**Dimensional Drawing**

Catalogue	Model	HP	Pole	kW	Rating	Voltage	Hz	RPM
APH3502	AEHH8R	350		261		V		



Frame Size	Mounting					A	B	C	CD	D	
	E	2F	2F2	H	BA						
	9	25	20	0.81	7.5	22.05	27.95	51.15	13.9	11	
G	J	K	L	M	O	P	T	Key			Keyseat
								Width	Thick	Length	R
1.4	4.35	8.25	26.4	19.65	23.55	24.75	7.33	0.625	0.625	3.03	2.021
Terminal Housing			Aux Box			C/D Flange					
AA	AB	AC	XB	AE	AX	BB	AH	AK	BD	AJ	BF
-	31.11	21.02	3.95								
Shaft Extension			Bearings		Approx. Weight Lbs	SPL dBA/3ft	Ins. Class	S.F.	Drive Method	Dimensions	
N-W	U	V	DE	NDE							
4.75	2.375	4.5				83			Direct Coupling	Inches	

### Technical Data Sheet

Motor Type: AEHH8R

Catalogue No: APH3502

#### Nameplate Information

HP	Pole	RPM	Frame	Voltage	Hz	Phase
350						
Enclosure	Ins. Class	Service Factor	Time Rating	NEMA Design	Rated Amb.	Rated Altitude
TEFC				B	°C	

#### Typical Performance

Efficiency (%)				Power Factor (%)		
Full Load		3/4 Load	1/2 Load	Full Load	3/4 Load	1/2 Load
Nom.	Min.					
95.8	95.0	95.4	94.5	90.2	86.5	82.5
Torque				Current (A)		
Full Load (lb-ft)	Locked Rotor (% FLT)	Pull Up (% FLT)	Break Down (% FLT)	No Load	Full Load	Locked Rotor
512.80	102	81	210	61.0	379.3	2567
NEMA KVA Code	Inertia (WR <sup>2</sup> )			Safe Stall Time (s)		Noise Level Sound Press. dB(A)
	Rotor (lb-ft <sup>2</sup> )	NEMA Load (lb-ft <sup>2</sup> )	Max. Allowable (lb-ft <sup>2</sup> )	Cold	Hot	
G	62.000	281	281	36	27	83

#### VFD Duty Information

Speed Range			VFD		S.F.
Constant Torque	Variable Torque	Constant Power	Carrier	Type	
			≤ 5 kHz		

#### Additional Information

Bearings		Approx. Weight
DE	NDE	lbs

#### Hazardous Locations Information

Temp Code (Sinewave / VFD)	/