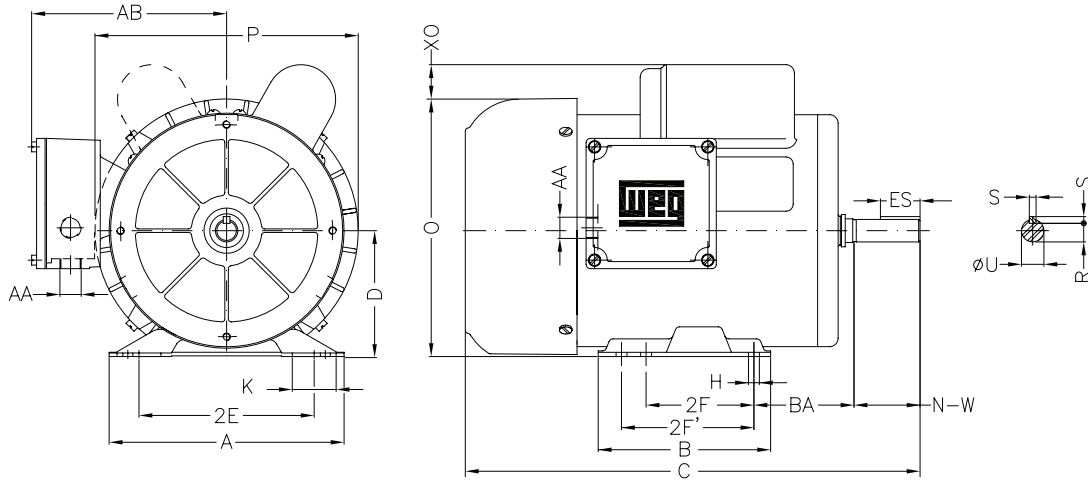
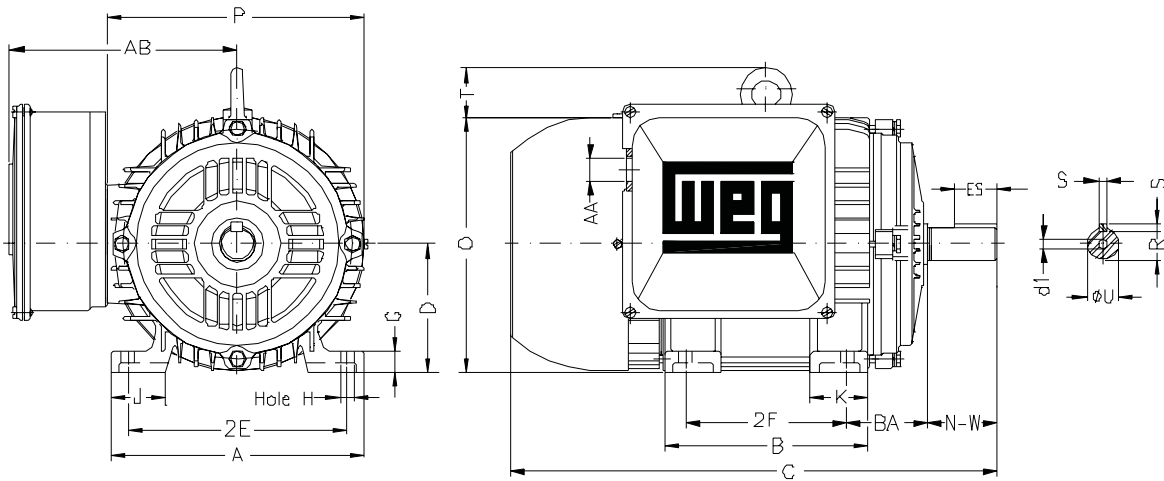


140T Frame and up Single Phase Motors

TEFC - Mechanical Data



NEMA FRAMES	MOUNTING					A	B	C	D	O	P	XO	KEYWAY			SHAFT EXTENSION		AB	AA	BEARINGS	
	2E	2F	H	H1	BA								S	R	ES	N-W	U			D.E.	N.D.E.
F143T	5.500	5.000	0.343	-	2.250	6.535	6.498	14.834	3.500	7.165	7.323	1.064	0.187	0.766	1.417	2.250	0.875	5.433	NPT0.75"	6205-ZZ	6203-ZZ
G145T								15.228													

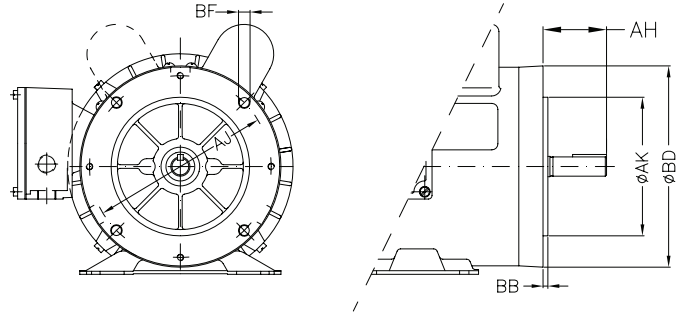


NEMA Frames	Mounting				A	B	C	D	G	J	K	O	P	T	Keyway			Shaft Extension		AB	AA	d1	Bearings	
	2E	2F	H	BA											S	R	ES	N-W	U				D.E.	N.D.E.
W182/4T	7.500	4.500	0.406	2.750	8.661	6.968	17.240	4.500	0.630	1.890	2.441	8.267	7.800	1.851	0.250	1.234	1.771	2.750	1.125	7.362	NPT0.75"	A4	6206-ZZ	6206-ZZ
184T		5.500					17.050				1.968									7.835			6307-ZZ	
W213/5T	8.500	7.000	0.406	3.500	9.765	8.875	21.000	5.250	0.830	2.000	3.343	9.610	8.820	1.890	0.312	1.516	2.480	3.375	1.375	7.953	NPT1"	A4	6308-ZZ	6206-ZZ
215T							19.500				2.165									10.630			9.055	

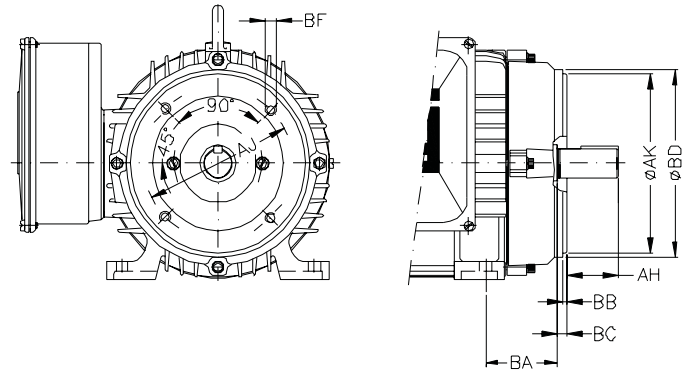
140T Frame and up Single Phase Motors

TEFC - Mechanical Data

"C" FLANGE DIMENSIONS							
NEMA FRAMES	AJ	AK	BD	BF		BB	AH
				NUMBER	TAP SIZE		
F143/5T	5.875	4.500	6.535	4	16	0.157	2.125
G143/5T							



"C" FLANGE DIMENSIONS								
NEMA FRAMES	AJ	AK	BD	BF		BB	BC	AH
				NUMBER	TAP SIZE			
W182/4T	7.250	8.500	8.860	4	UNC0.5"x13	0.250	0.250	3.120
184T								
W213/5T								
215T								



"D" FLANGE DIMENSIONS						
NEMA FRAMES	AJ	AK	BD	BF		BB
				NUMBER	TAP SIZE	
W182/4T	10.000	9.000	11.000	4	0.590	0.190
184T						
W213/5T						
215T						

