

Product Information Packet

November 8, 2016

Data shown is for the current revision model #. Ensure your nameplate model # matches.

Model Number:	5KS145XAA143D
Catalog Number:	M9379
Instruction Manual:	GEI-56128
Connection Diagram:	GEM2034E-FIG7
Outline Drawing:	4002B5814PBP5311

Accessory Connection Diagrams			
Bearing Thermocouple:	None	Heater:	None
RTD:	None	Thermistor:	None
Thermostat:	None	Winding Thermocouple:	None
Bearing RTD:	None		

Table of Contents

Specification	01
Performance Characteristics	02
Outline Drawing	03
Connection Drawing(s)	04
Spare parts	05



Marks:

MODEL NUMBER:	5KS145XAA143D	Estimated Weight:	50 Lbs
Outline Drawing:	4002B5814PBP5311	Time Rating:	CONT
Connection Diagram:	GEM2034E-FIG7	Enclosure:	TEFC
Instruction Book:	GEI-56128	Encl Construction:	841
Design Code:	14BD0070A	Ambient Max(°C):	40
Type:	KS	Alt Ambient Max(°C):	--
Frame:	145TC	Insulation Class:	H
Phases:	3	NEMA Design:	B
Poles:	2	Nominal Efficiency:	85.5 %
Output Power:	2HP 1.5KW	Guaranteed Efficiency:	84.0
RPM:	3515	3/4 Load Efficiency:	85.4
Voltage:	460	KVA Code:	L
Hertz:	60	Max KVAR:	0.8
Amps - FL:	2.7	Power Factor:	81.0
Service Factor:	1.15	Bearing - DE:	6206ZC3
Alt Service Factor:	--	Bearing - ODE:	6205ZC3

Enclosure is Totally Enclosed Fan-Cooled

Stamped Nameplate Notes:

IEEE-STD-841-2009
 DE BRG 30BC02JP30 ODE BRG 25BC02JP30
 STAMP NP249A5564P051 AS BELOW:
 MODEL:5KS145XAA143D S/N: XXX
 CSA CERTIFIED CSA09.2216219 FOR EX NA IIC 200 C GC
 CL1 ZONE2 AEXNAIIC 200C FOR CL1DIV2 GRP ABCD 200C
 IN -25C <= AMB <= 40C, 1.0SF ON SINE-WAVE PWR
 SURF TEMP 200 C AT 1.15 SF ON SINE-WAVE PWR
 OR 200 C VT OR 200 C CT OR 200 C CHP PWM CONTROL
 ALTERNATE RATING FOR PWM CONTROL 1.0SF 40 C AMB
 VT 0-60 HZ, CT 3-60 HZ, CHP 60-90 HZ.

Additional Information:

2P - T EXTN
 STANDARD FLOOR MOUNT
 C/BOX 30 CU IN-0.75 NPT
 F1 CONDUIT BOX MOUNTING
 "C" FACE AT DE ENDSHIELD
 PAINTED FRAME ID & SHAFT,
 FAN COVER INSIDE & ODE E/S OUTSIDE
 ROUTINE AND 5 POINT VIBRATION TESTS INCL IN C/BOX
 INPRO SEAL BOTH ENDS
 GROUND SCREW ON FRAME
 SHAFT RUNOUT LIMIT .001" TIR
 COPPER WASHER UNDER HEADS OF BEARING CAP BOLTS
 APPLY TITE-SEAL (A50CD427A) ON BEARING CAP SCREWS, RABBETS,
 AND PLUG THREADS

OIL RESISTANT SLEEVING ON LEADS

Performance Characteristics

1st Winding 1st Connection

Design: 14BD0070A

Marks:

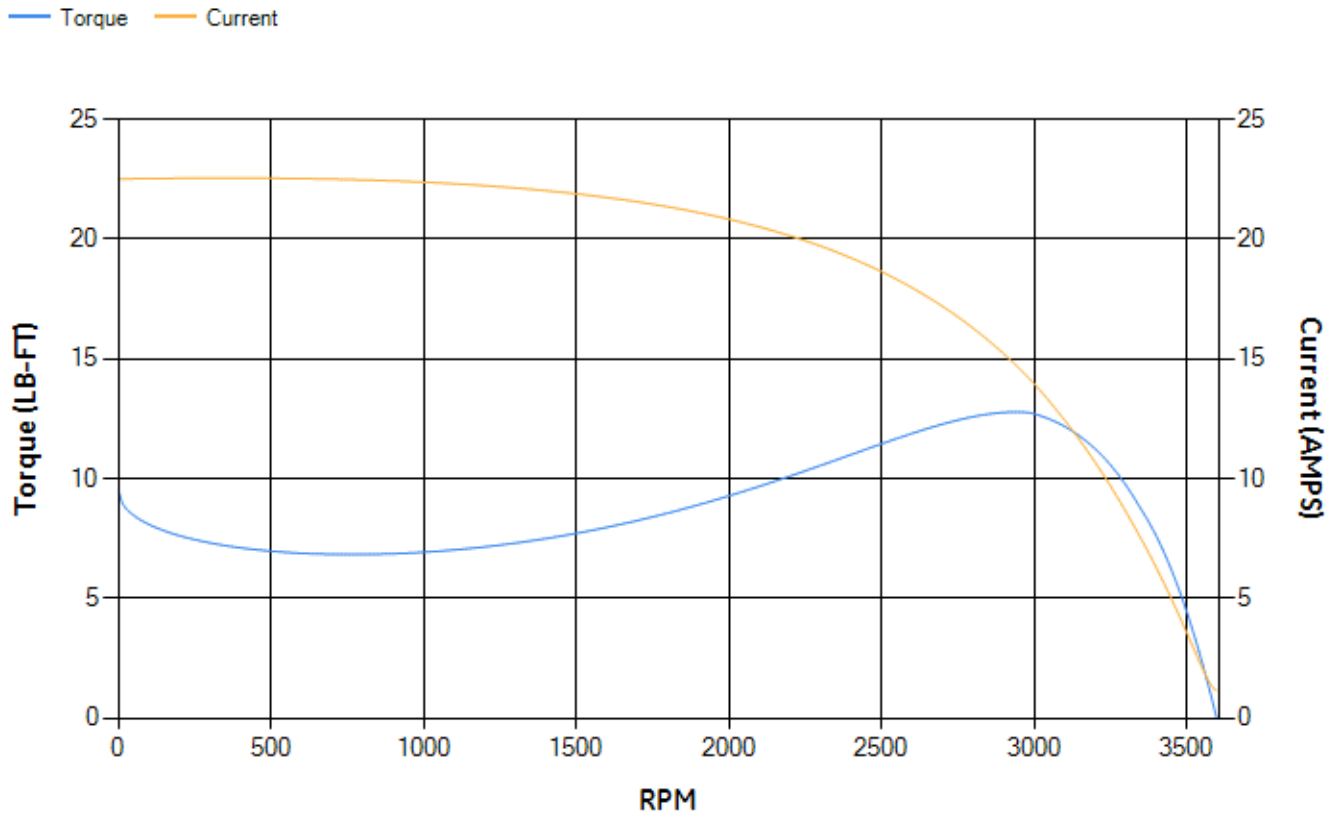
LOAD %	125.0	115.0	100.0	75.0	50.0	25.0	0.0
% EFF	84.45	84.9	85.58	85.39	83.48	75.46	0.00
% PF	84.57	83.37	84.6	74.48	62.68	41.75	11.18
AMPS	3.28	3.04	2.56	2.21	1.79	1.49	1.14

TORQ(FL)#FT	2.99	TORQ(LR)%FL	317.92	TORQ(BD)%FL	416.48
AMPS(LR)	22.51	PF AT START	0.55		

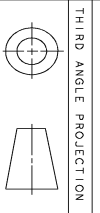
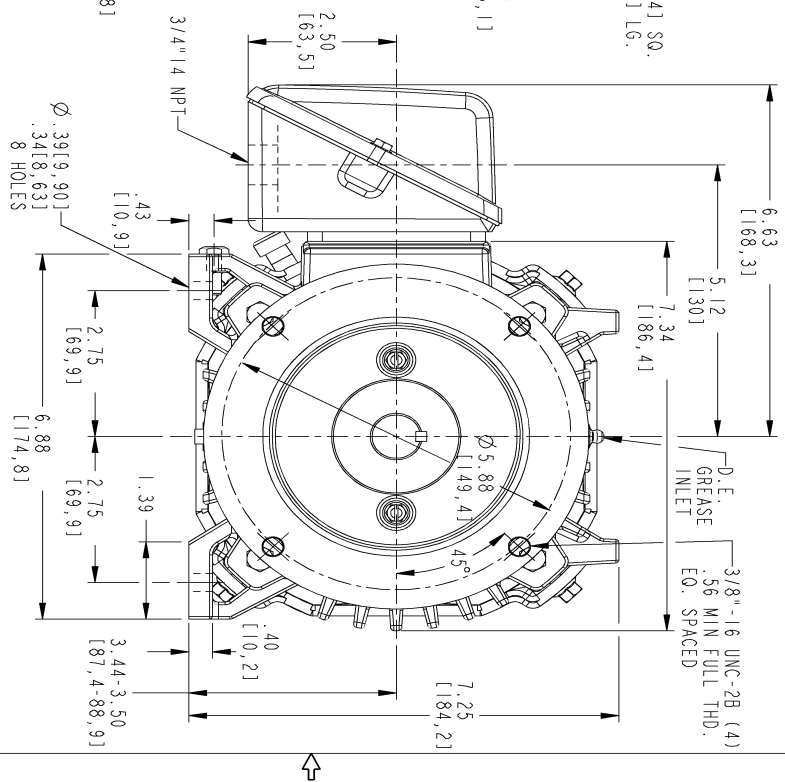
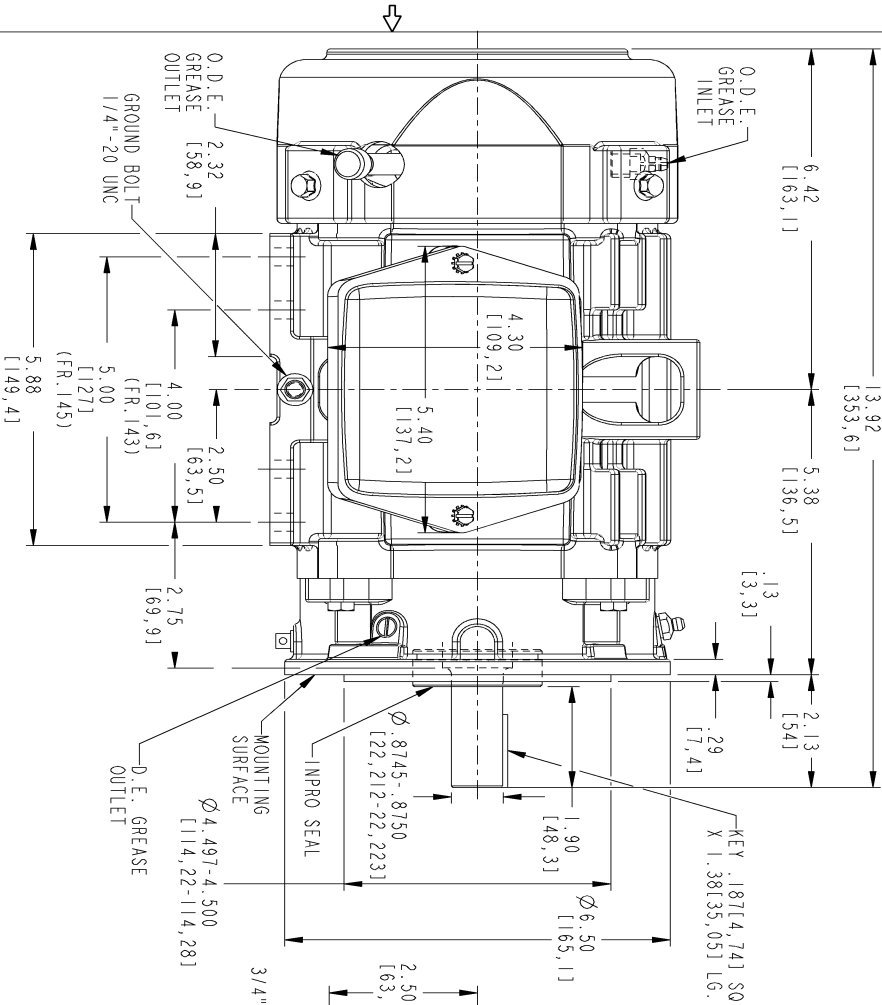
This motor is capable of two cold or one hot start with a maximum connected load inertia of 15 Lb-Ft Sq (0.63 Kg-meter Sq) at 100% voltage, where the load torque varies with the square of the speed. Acceleration time with maximum inertia and the above load type is 22 seconds. Safe stall time at 100% voltage is 49 seconds cold, 34 seconds hot. Rotor inertia is 0.05 Lb-Ft Sq (0 Kg-meter Sq).

Open Circuit A-C:	0.244	Short Circuit D-C:	0.005
Short Circuit A-C:	0.009	X/R Ratio:	1.88
Stator Slots:	24	Rotor Slots:	34

Speed Torque Current Curve (First Connection, First Speed)



Marks:



THIRD ANGLE PROJECTION

NOTE 1: CONDUIT BOX MAY BE ASSEMBLED WITH ENTRANCE UP, DOWN OR TO EITHER SIDE.
 NOTE 2: F1 ASSEMBLY AS SHOWN. F2 ASSEMBLY CONDUIT BOX ON OPPOSITE SIDE FROM SHOWN LOCATION.
 NOTE 3: MOUNTING SURFACES WILL BE SQUARE AND CONCENTRIC WITH SHAFT WITHIN .004 T.I.R.
 NOTE 4: SHAFT RUNOUT WILL NOT EXCEED .001 T.I.R.
 NOTE 5: ALL DIMENSIONS ARE IN INCHES, BRACKETED DIMENSIONS ARE IN METRIC (MILLIMETERS).

SIZE DRAWING NO. B

4002B5814PBP5311 0

REV SHEET 1

REV.	DESCRIPTION	DATE	APPROVED

REVISIONS

SIGNATURES	DATE
MODEL: TEJASWI 06/08/15	
DETAIL: TEJASWI 06/08/15	
DESIGN: ADI 06/08/15	
ENGR: VENKAT 06/08/15	
QC: TEJASWI 06/08/15	
ISSUED: TEJASWI 06/08/15	
SOLD TO MODEL: 4002B5814PBP5311	

GE Motors GENERAL ELECTRIC COMPANY

TITLE: **INDUCTION MOTOR OUTLINE**
 IEEE-841 SPEC, "C" FACE AT DE (450° RABBIT)
 FR: 143/145TC TFC

SIZE DRAWING: **4002B5814PBP5311** REV 0

SCALE: 0.500 REF. No.: 4002B5814PBP5301 SHEET 1 of 1

Marks:

Connection Diagram
GEM2034E-FIG7



End shield Assembly		
Part Description	DE Side Part#	ODE Side Part#
End Shield	4004D5289PB1	4004D5280SG1
Bearing	235A2602AA01	235A2600AA01
Slinger/Inproseal	4002B5914AM1	4002B5914AG1

Fan & Fan Cover Assembly	
Part Description	Part#
Fan	4001A5914AM-G01
Fan Cover	4003C5785PA1

Conduit & Accessories Box Assembly	
Part Description	Part#
Conduit Box	4002B5718PA-G01

Mechanical Accessories	
Part Description	Part#
Brake	
Tachometer	