

# Product Information Packet

November 9, 2016

Data shown is for the current revision model #. Ensure your nameplate model # matches.

<b>Model Number:</b>	<b>5KS182STE204A</b>
<b>Catalog Number:</b>	<b>M7526</b>
<b>Instruction Manual:</b>	GEI-M1031
<b>Connection Diagram:</b>	GEM2034E-FIG1
<b>Outline Drawing:</b>	358B6270AA

Accessory Connection Diagrams			
<b>Bearing Thermocouple:</b>	None	<b>Heater:</b>	None
<b>RTD:</b>	None	<b>Thermistor:</b>	None
<b>Thermostat:</b>	None	<b>Winding Thermocouple:</b>	None
<b>Bearing RTD:</b>	None		

Table of Contents	
Specification	01
Performance Characteristics	02
Outline Drawing	03
Connection Drawing(s)	04

**Marks:**

<b>MODEL NUMBER:</b>	<b>5KS182STE204A</b>	<b>Estimated Weight:</b>	86 Lbs
<b>Outline Drawing:</b>	358B6270AA	<b>Time Rating:</b>	CONT
<b>Connection Diagram:</b>	GEM2034E-FIG1	<b>Enclosure:</b>	TEFC
<b>Instruction Book:</b>	GEI-M1031	<b>Encl Construction:</b>	SD
<b>Design Code:</b>	18AD1020B	<b>Ambient Max(°C):</b>	40
<b>Type:</b>	KS	<b>Alt Ambient Max(°C):</b>	--
<b>Frame:</b>	182T	<b>Insulation Class:</b>	F
<b>Phases:</b>	3	<b>NEMA Design:</b>	A
<b>Poles:</b>	4	<b>Nominal Efficiency:</b>	89.5 %
<b>Output Power:</b>	3HP 2.2KW	<b>Guaranteed Efficiency:</b>	87.5
<b>RPM:</b>	1760	<b>3/4 Load Efficiency:</b>	91.0
<b>Voltage:</b>	575	<b>KVA Code:</b>	L
<b>Hertz:</b>	60	<b>Max KVAR:</b>	1.2
<b>Amps - FL:</b>	3.0	<b>Power Factor:</b>	82
<b>Service Factor:</b>	1.15	<b>Bearing - DE:</b>	6207ZZC3
<b>Alt Service Factor:</b>	--	<b>Bearing - ODE:</b>	6206ZZC3

**Enclosure is Totally Enclosed Fan-Cooled**

---

**Stamped Nameplate Notes:****Additional Information:**

4 POLE, TEFC, LRA: 27.3 AMPS  
 SOUND POWER : 74 DBA  
 GREASE: SHELL ALVANIA R3 LITHIUM GREASE  
 NO. OF MOTOR LEADS: 3  
 CONDUIT BOX VOLUME (CU IN): 47.1  
 CONDUIT BOX MATERIAL: CAST IRON  
 SUITABLE FOR USE IN CLASS I DIVISION 2 LOCATIONS  
 CLASS I DIVISION 2 GROUPS A,B,C,D T3C  
 CLASS I ZONE 2 IIC T3C

**Performance Characteristics**

1st Winding 1st Connection

**Design: 18AD1020B**

**Marks:**

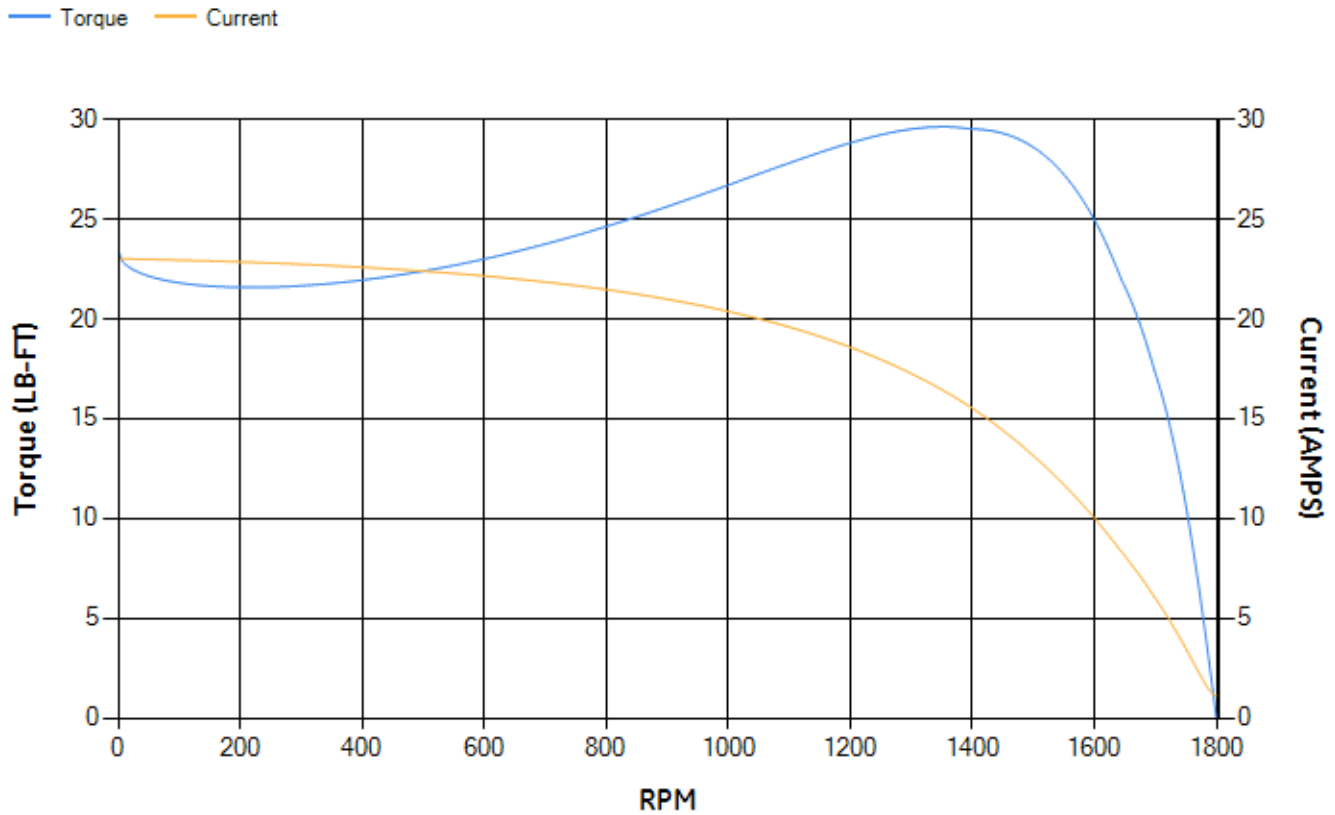
LOAD %	125.0	115.0	100.0	75.0	50.0	25.0	0.0
% EFF	88.85	89.47	90.44	91.03	90.73	86.88	0.00
% PF	85.44	85.06	83.98	80.05	70.85	49.39	6.58
AMPS	3.7	3.39	2.96	2.31	1.75	1.31	1.09

<b>TORQ(FL)#FT</b>	8.99	<b>TORQ(LR)%FL</b>	260.31	<b>TORQ(BD)%FL</b>	323.36
<b>AMPS(LR)</b>	23.01	<b>PF AT START</b>	0.46		

This motor is capable of two cold or one hot start with a maximum connected load inertia of 127 Lb-Ft Sq (5.35 Kg-meter Sq)at 100% voltage, where the load torque varies with the square of the speed. Acceleration time with maximum inertia and the above load type is 34 seconds. Safe stall time at 100% voltage is 81 seconds cold, 64 seconds hot. Rotor inertia is 0.39 Lb-Ft Sq (0.02 Kg-meter Sq).

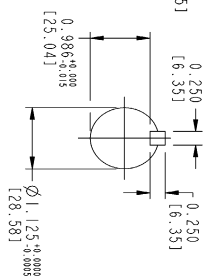
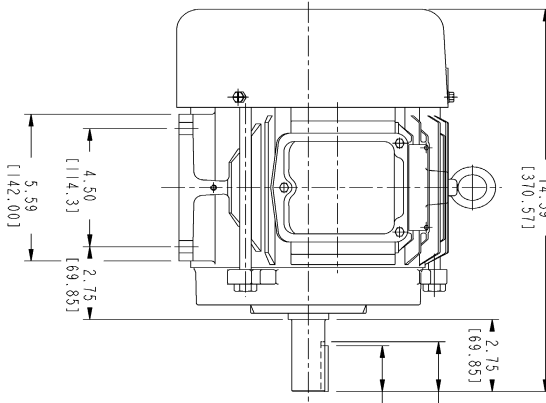
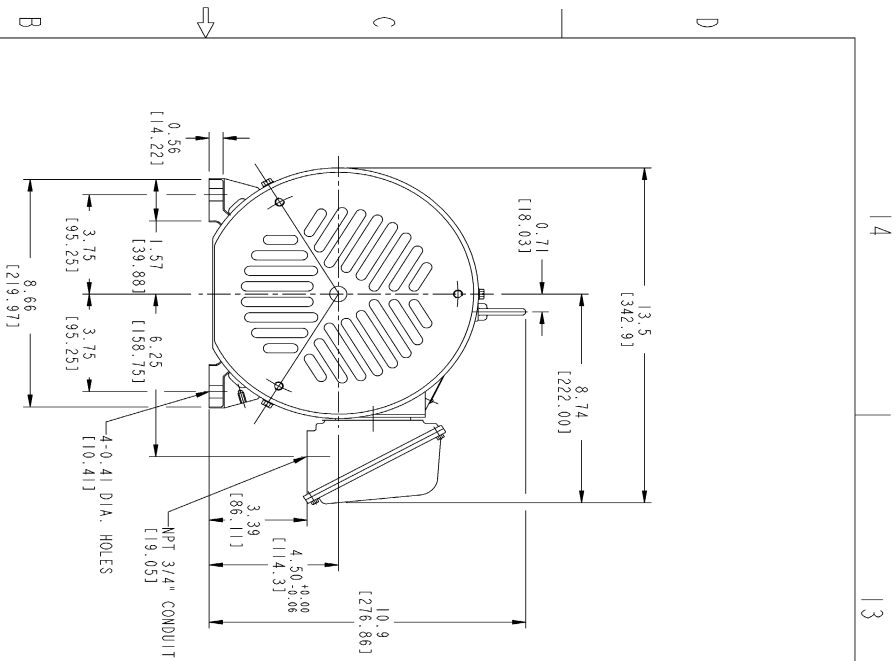
<b>Open Circuit A-C:</b>	0.268	<b>Short Circuit D-C:</b>	0.008
<b>Short Circuit A-C:</b>	0.011	<b>X/R Ratio:</b>	3.127
<b>Stator Slots:</b>	36	<b>Rotor Slots:</b>	28

**Speed Torque Current Curve (First Connection, First Speed)**



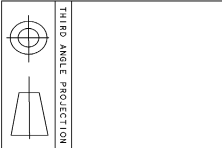
NAME:501291659 OBJECT:358B6270AA DATE:05-Dec-07 10:03:11

Marks:



- NOTES :
1. DIMENSIONS ARE IN INCHES
  2. F-1 ASM AS SHOWN
  3. F-2 ASM - HAS CONDUIT BOX ON OPPOSITE SIDE
  4. BRACKETED DIMENSIONS ARE METRIC (MILLIMETERS)
  5. IC411, IP94, IMB34 APPLY

GE PROPRIETARY AND CONFIDENTIAL INFORMATION	
This document is the property of General Electric Company. It is not to be distributed, copied, or otherwise used without the written permission of General Electric Company. It is to be returned to General Electric Company upon completion of its use. It is not to be used for any other purpose without the written permission of General Electric Company. It is not to be used for any other purpose without the written permission of General Electric Company.	
REV.	DESCRIPTION
DATE	APPROVED
358B6270AA	0



THIRD ANGLE PROJECTION

Part must conform to SI 9000000  
Sect. 4, Toxicity Procedure

FOR ADDITIONAL INFO REFER TO:	SIGNATURES	DATE
REFLECTED DIMENSIONS	MODEL	11/05/07
UNREFLECTED DIMENSIONS	DESIGNED BY	11/05/07
TOLERANCE ON:	DRAWN BY	11/05/07
1 PL DECIMALS ±	CHECKED BY	11/05/07
2 PL DECIMALS ±	ISSUED BY	11/05/07
3 PL DECIMALS ±	QUALITY	
ANGLES ±	SCALE	
FRACTIONS ±		
FINISH		

GE Consumer & Industrial  
GENERAL ELECTRIC COMPANY

FTD - 182T TERC CE MARK  
471 CU IN CONDUIT BOX

358B6270AA

0

SHEET 1 OF 1

Marks:

**Connection Diagram**  
**GEM2034E-FIG1**

