

DATE  
Sept. 13, 2005  
CAT. #: HB1004

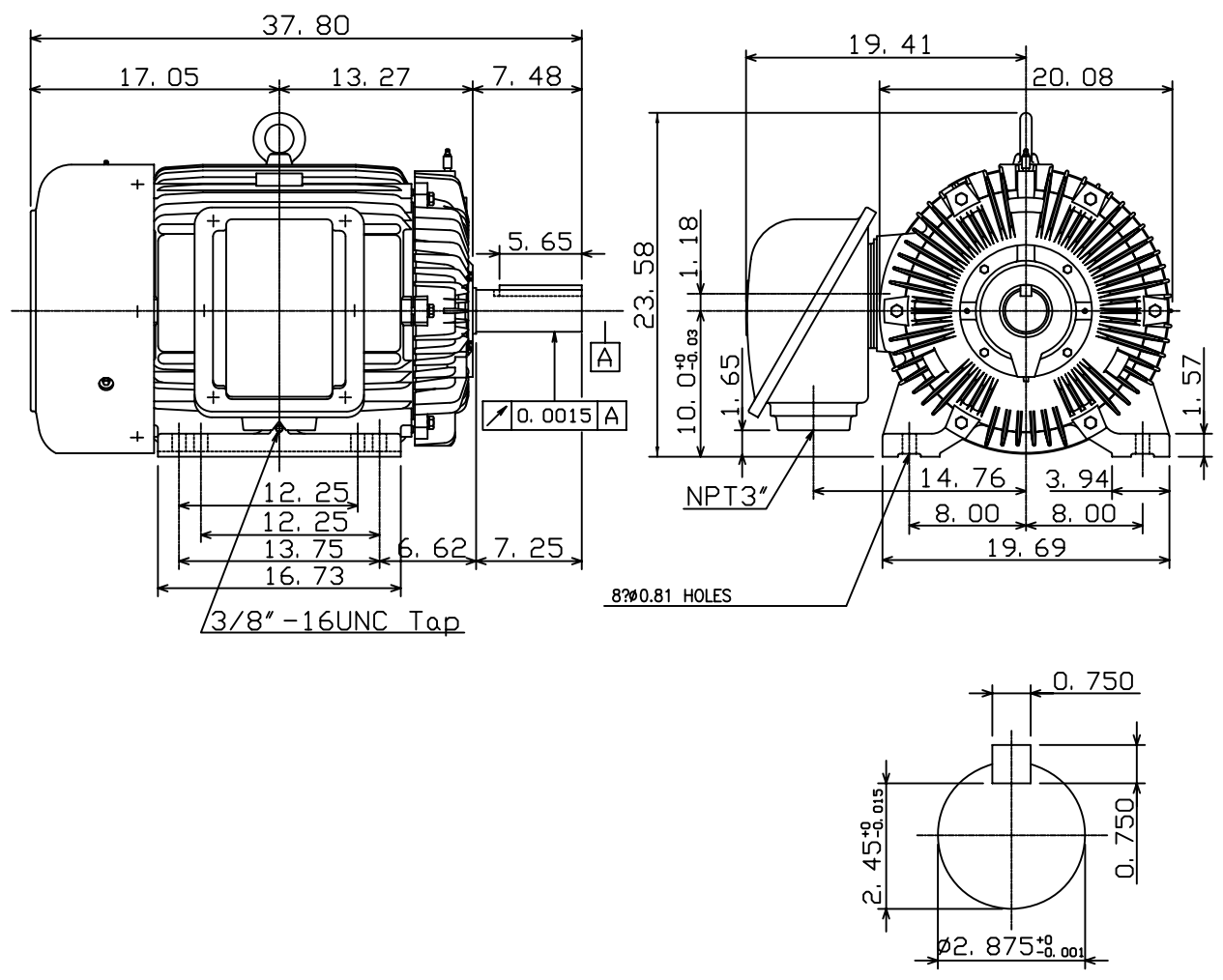
OUTLINE DIMENSIONS  
3-PHASE INDUCTION MOTOR

MOTOR TYPE:  
AEHH8B  
FRAME NO. 405T

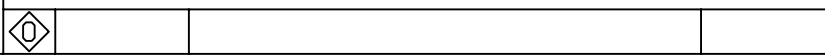
Pole	HP	kW	Hz	VOLT	Syn. Speed r/min(rpm)
4	100	75	60	460	1800

Ins	Rating	Dimension in	Approx Weight	Bearings
F	CONT.	inches	1298 lbs.	DE: 6317C3 NDE: 6313ZC35C

Totally Enclosed Fan-Cooled Type, Squirrel-cage Rotor.



Note:  
1. Motor Vibration: 20 $\mu$ .  
2. Inpro/Seal in Both End Brackets



DWN.	K. L. KUO	01-20-05
CHKD.	C. H. KAO	02-02-05
APPD.	M. C. TSAI	02-02-05



DWG NO.  
31049M634640