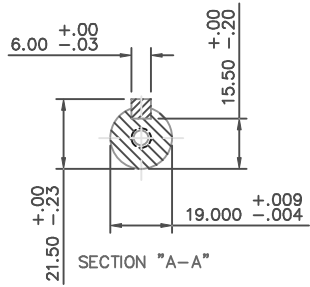
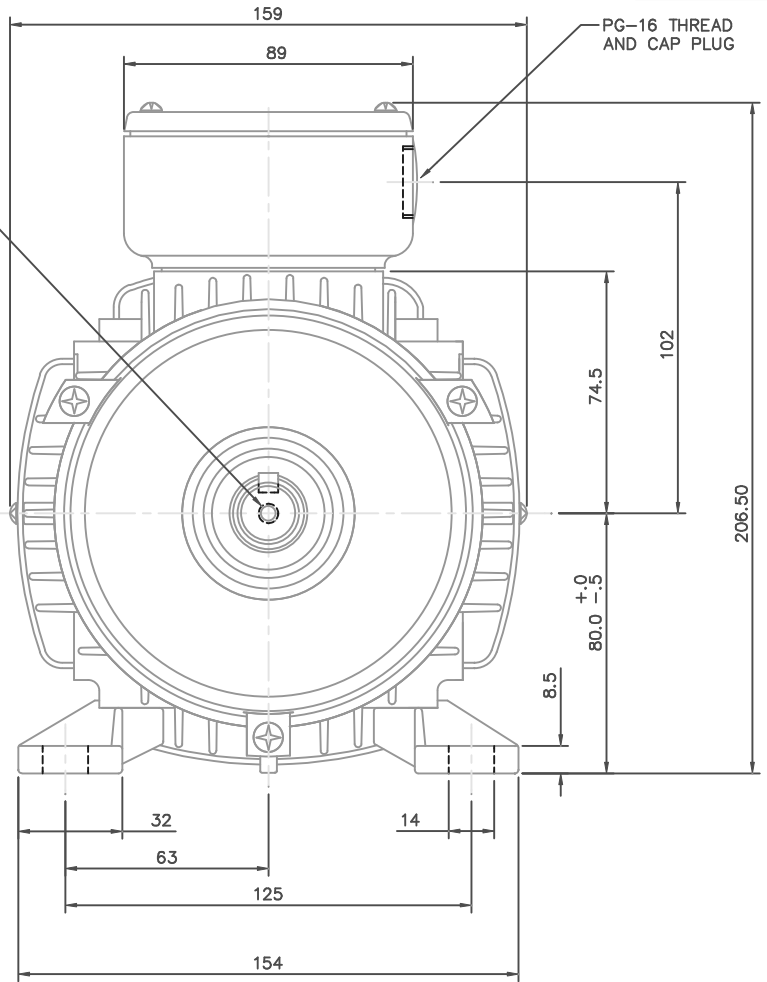


M6-1.00 x 16 DEEP  
R.H. THREADED SHAFT



NO.		REVISION	BY & DATE	CHK	ANG	±1/2'	FINISH	CAD FILE		SIZE	DRAWING NO.	REV.		
<p>THIS DRAWING IN DESIGN AND DETAIL IS OUR PROPERTY AND MUST NOT BE USED EXCEPT IN CONNECTION WITH OUR WORK. ALL RIGHTS OF DESIGN AND INVENTION ARE RESERVED. THIS IS AN ELECTRONICALLY GENERATED DOCUMENT - DO NOT SCALE THIS PRINT</p>														
				<p>TO TOLERANCES UNLESS SPECIFIED</p>		<p>DEC. INCHES</p>		<p>RFP</p>		<p>CAD FILE 16986100</p>		<p>B</p>	<p>DRAWING NO. 169861-00</p>	<p>REV.</p>
				<p>.X ±.1</p>		<p>TITLE</p>		<p>LEESON</p>		<p>ELECTRIC MOTORS GEARMOTORS AND DRIVES</p>		<p>DRAWN ADS 01/22/02</p>		<p>CHK</p>
				<p>.XX ±.03</p>		<p>MAT'L</p>		<p>ALUMINUM</p>		<p>1=1.5</p>		<p>APPD</p>		<p>REF OSVC-300-552</p>
				<p>.XXX ±.005</p>		<p>PREV</p>		<p>16986100</p>		<p>169861-00</p>		<p>FMF LEESON STOCK</p>		<p>PREV</p>
				<p>.XXXX ±.0005</p>		<p>16986100</p>		<p>16986100</p>		<p>169861-00</p>		<p>169861-00</p>		<p>169861-00</p>