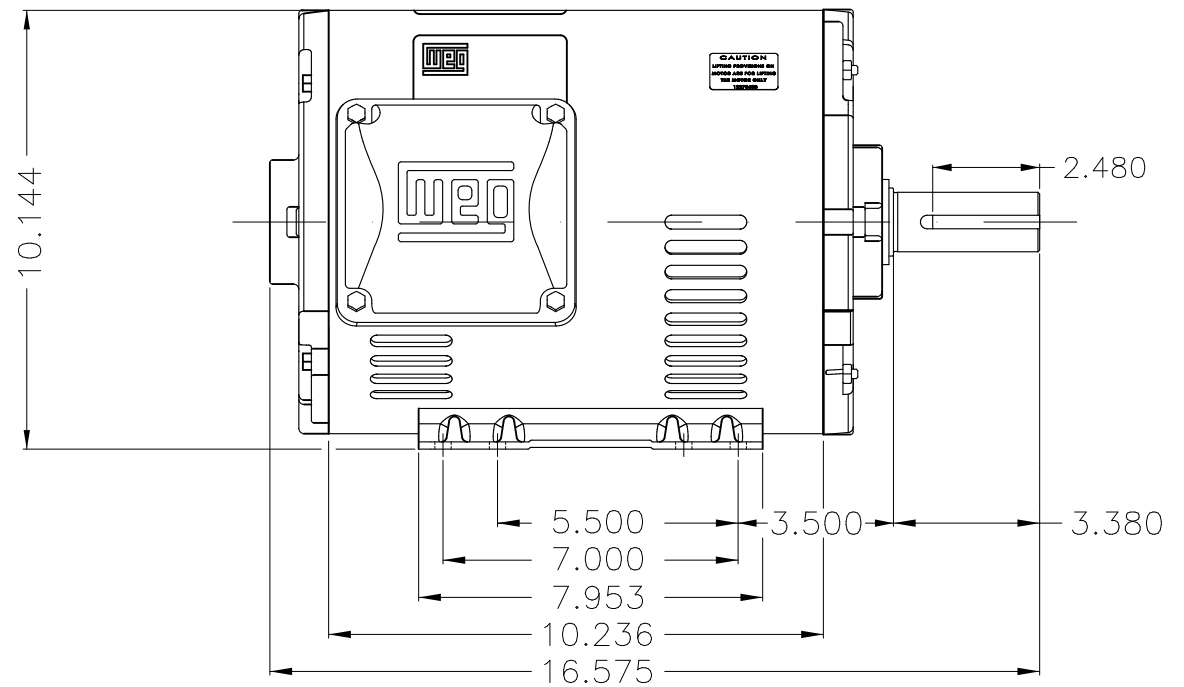
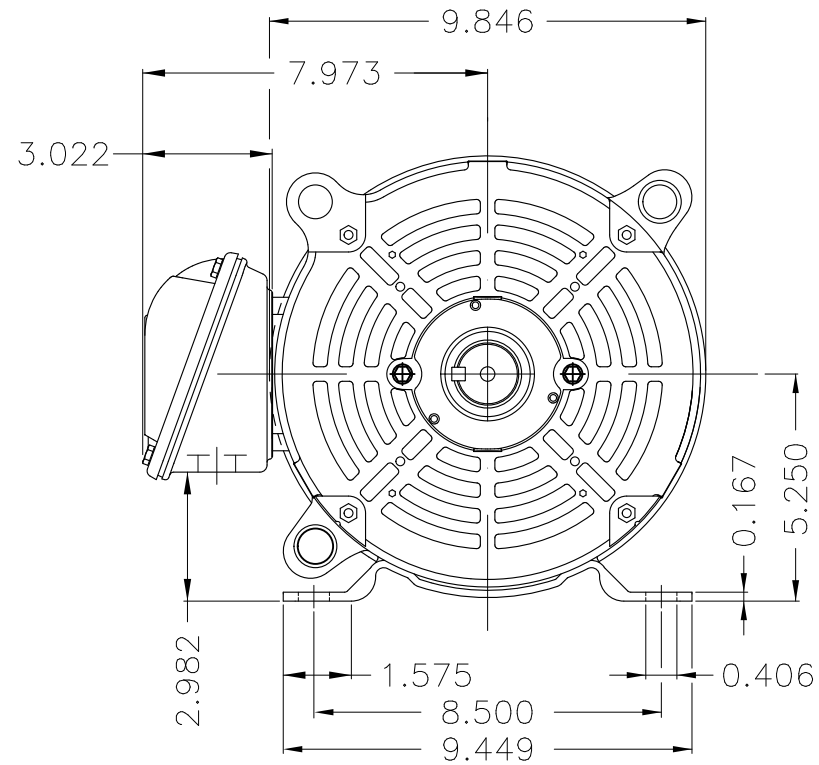
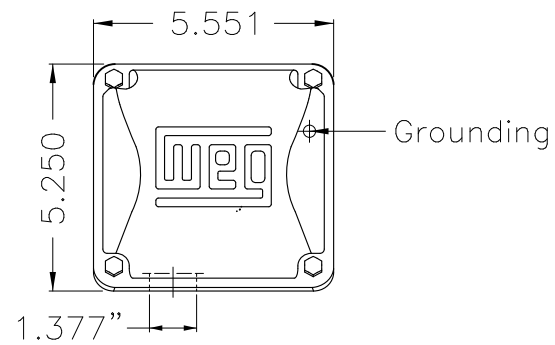
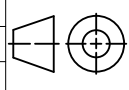


Dimensões em polegada  
Dimensions in inches

THIS IS AN UPDATED REVISION, THE  
PREVIOUS ONE MUST BE DISREGARDED.



- Brush holder Kit AEGIS internal DE
- Bearing cap
- Color Munsell N 1 matte black
- Painting plan 207N
- Mounting F-1/B3R(D)

| ECM      | LOC        | SUMMARY OF MODIFICATIONS  |                |                     | EXECUTED | CHECKED | RELEASED | DATE | VER |
|----------|------------|---|----------------|---------------------|----------|---------|----------|------|-----|
| EXECUTED | USERADMIN  |  THREE PHASE ODP ROLLED STEEL NEMA PREM.<br>FRAME 213/5T ODP<br>WEG code: 12792608 |                |                     |          |         |          |      |     |
| CHECKED  |            |   |                |                     |          |         |          |      |     |
| RELEASED |            |   |                |                     |          |         |          |      |     |
| REL DT   | 24.07.2017 | WMO   | Jaragua do Sul | Product Engineering | SHEET    | 1 / 1   |          |      |     |

10 HP 04 Poles 60Hz

A



ZME A3