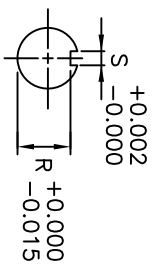
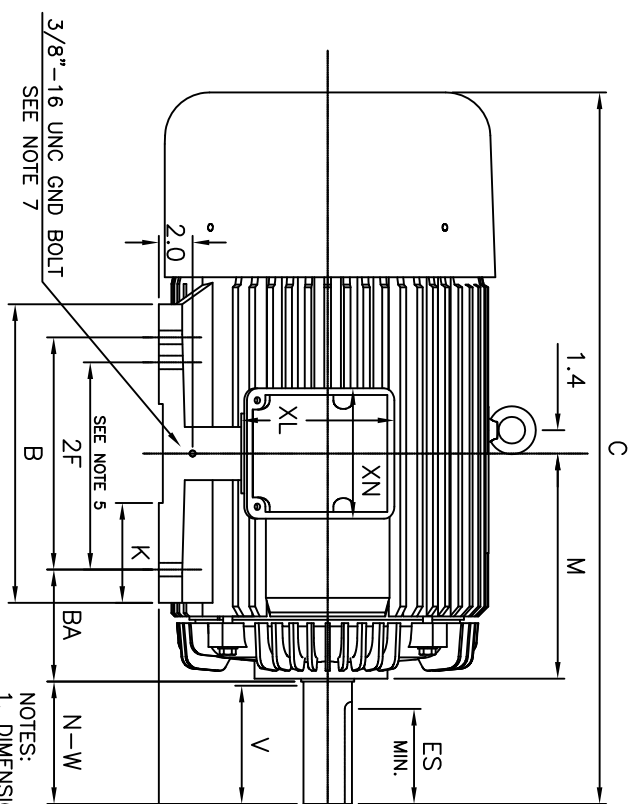
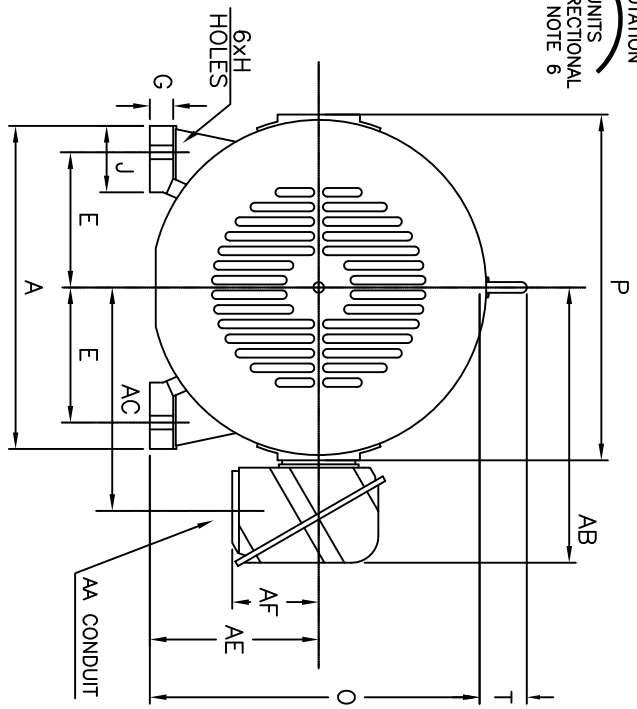


ROTATION  
UNITS  
BI-DIRECTIONAL  
SEE NOTE 6



UNITS: INCHES

FRAME SIZE	MOTOR DIMENSIONS										CONDUIT BOX							
	A	B	C	D	G	J	K	M	O	P	T	A[MPT]	AB	AC	AE	AF	XL	XN
404TS/405TS	19.2	17.7	39.2	10.00	1.4	4.0	5.9	14.7	19.5	20.5	2.8	3.00	16.5	13.3	10.00	5.2	9.1	7.7
404T/405T	19.2	17.7	42.2	10.00	1.4	4.0	5.9	14.7	19.5	20.5	2.8	3.00	16.5	13.3	10.00	5.2	9.1	7.7
FRAME SIZE	MOUNTING										SHAFT EXTENSION		KEY SEAT		BEARINGS		MAXIMUM WEIGHT	
	E	2F	H	BA	NA	V	U	R	S	ES	LS	OS						
404TS/405TS	8.00	12.25/13.75	0.81	6.62	4.25	4.00	2.125	1.845	0.500	2.75	6.313C3	6.313C3	1.380	1.380				
404T/405T	8.00	12.25/13.75	0.81	6.62	4.25	4.00	2.875	2.450	0.750	5.62	6.317C3	6.313C3	1.380	1.380				

TAG NO's: \_\_\_\_\_

CUSTOMER: \_\_\_\_\_ MOTOR MODEL NO.: \_\_\_\_\_  
 P.O. NO.: \_\_\_\_\_ HP: \_\_\_\_\_ VOLTAGE: \_\_\_\_\_ RPM(SYN.): \_\_\_\_\_ Hz: \_\_\_\_\_  
 FRAME SIZE: \_\_\_\_\_ PRODUCT TYPE: EQP III 840 & 841  
 COMMENTS: \_\_\_\_\_  
 \_\_\_\_\_  
 \_\_\_\_\_  
 PER: \_\_\_\_\_ DATE: \_\_\_\_\_

TOSHIBA RESERVES THE RIGHT TO MAKE CHANGES OF TECHNICAL IMPROVEMENT AND THE DATA MAY CHANGE WITHOUT NOTICE  PRELIMINARY  
 DO NOT USE FOR CONSTRUCTION, INSTALLATION, OR APPLICATION PURPOSES UNLESS THE DRAWING IS MARKED AS CERTIFIED  CERTIFIED

- STANDARD (NO AUX. BOXES)
- RTD AUX. BOX
- SPACE HEATER AUX. BOX
- BEARING RTD's

**TOSHIBA**  
 TOSHIBA INTERNATIONAL CORPORATION

TOTALLY-ENCLOSED FAN-COOLED  
 HORIZONTAL FOOT-MOUNTED  
 3 PHASE INDUCTION MOTOR  
 F1 ASSEMBLY

**XT SERIES**  
 VISIT OUR WEBSITE AT:  
 www.toshiba.com/ind