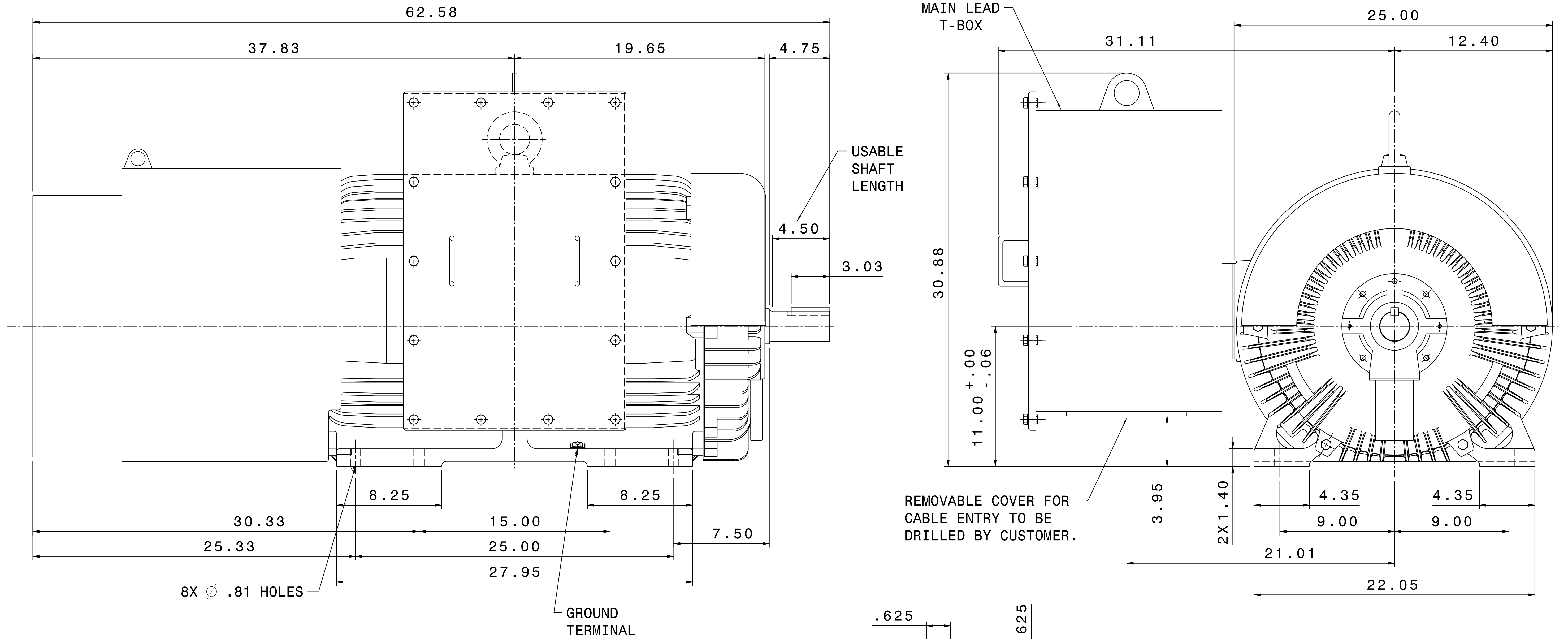


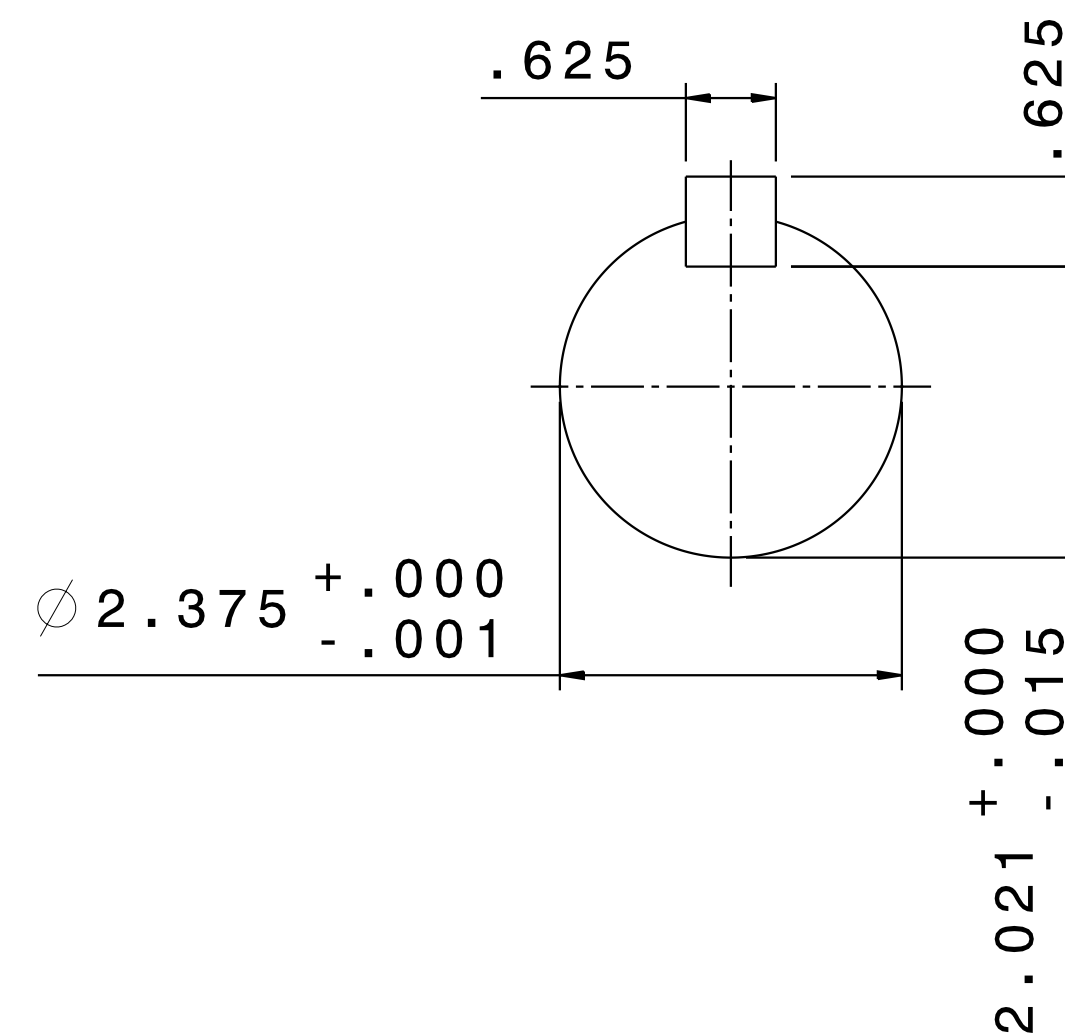
CATALOG #	TYPE	FRAME	OUTPUT		POLE	SYN. SPEED R.P.M.	VOLTAGE V.	Hz.	TIME RATING	INSULATION CLASS	SERVICE FACTOR	BEARINGS		WEIGHT LBS
			HP	KW								DE	NDE	
HB3002	AEHH8B	449TS	300	224	2	3600	460	60	CONT.	F	1.15	6314C3	6314C3	2550

TOTALLY ENCLOSED FAN-COOLED TYPE. SQUIRREL CAGE MOTOR



NOTES:

1. DIMENSIONS IN INCH.
2. ENCLOSURE: IP55.
3. FOR DIRECT FLEXIBLE COUPLING.
4. AUTOMATIC STAINLESS STEEL BREATHER DRAINS.
5. NON-SPARKING FAN.
6. NOISE LEVEL NOT TO EXCEED 85 dB(A) AT 1 METER AT NO LOAD.
7. VIBRATION VERTICAL/HORIZONTAL BELOW 0.08 IN/SEC, AXIAL BELOW 0.06 IN/SEC.
8. INPRO SEALS ON BOTH ENDS.



REV.	DATA	REV NO
01	TECO Westinghouse	01
3-PHASE INDUCTION MOTOR OUTLINE DIMENSIONS		DWG NO. HB3002
DWN T. FELPS	081413	APPD S.GROHOSKY
TECO-WESTINGHOUSE MOTOR COMPANY		ROUND ROCK, TEXAS USA

REF: 310570454460