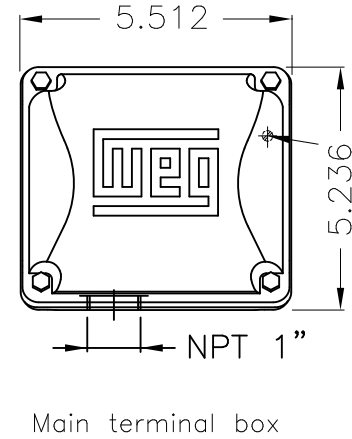
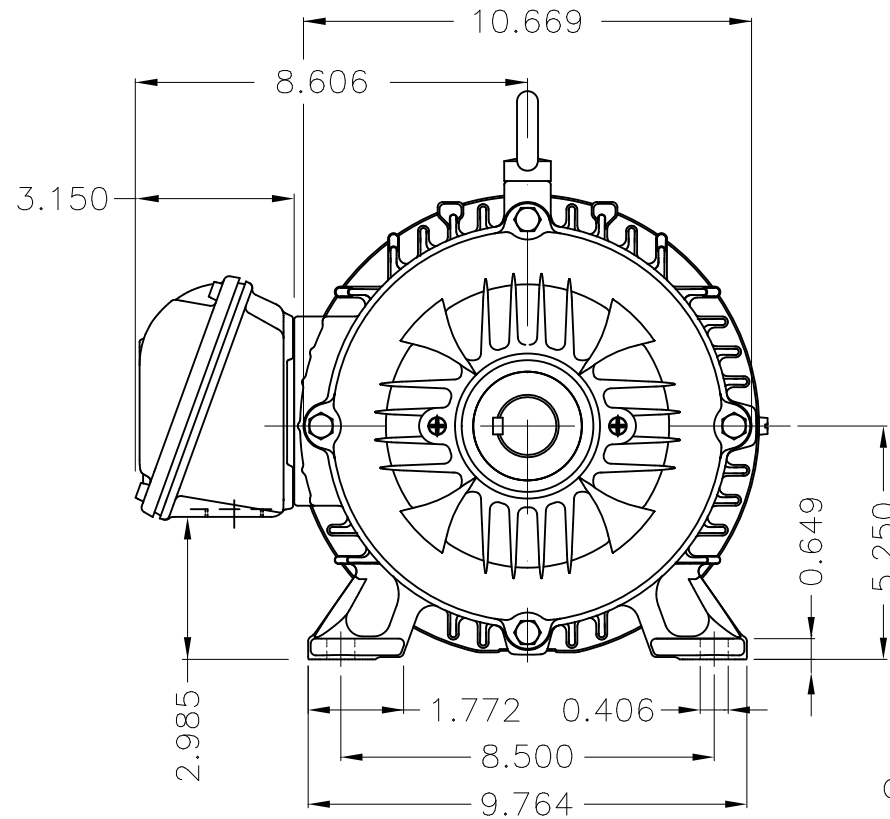
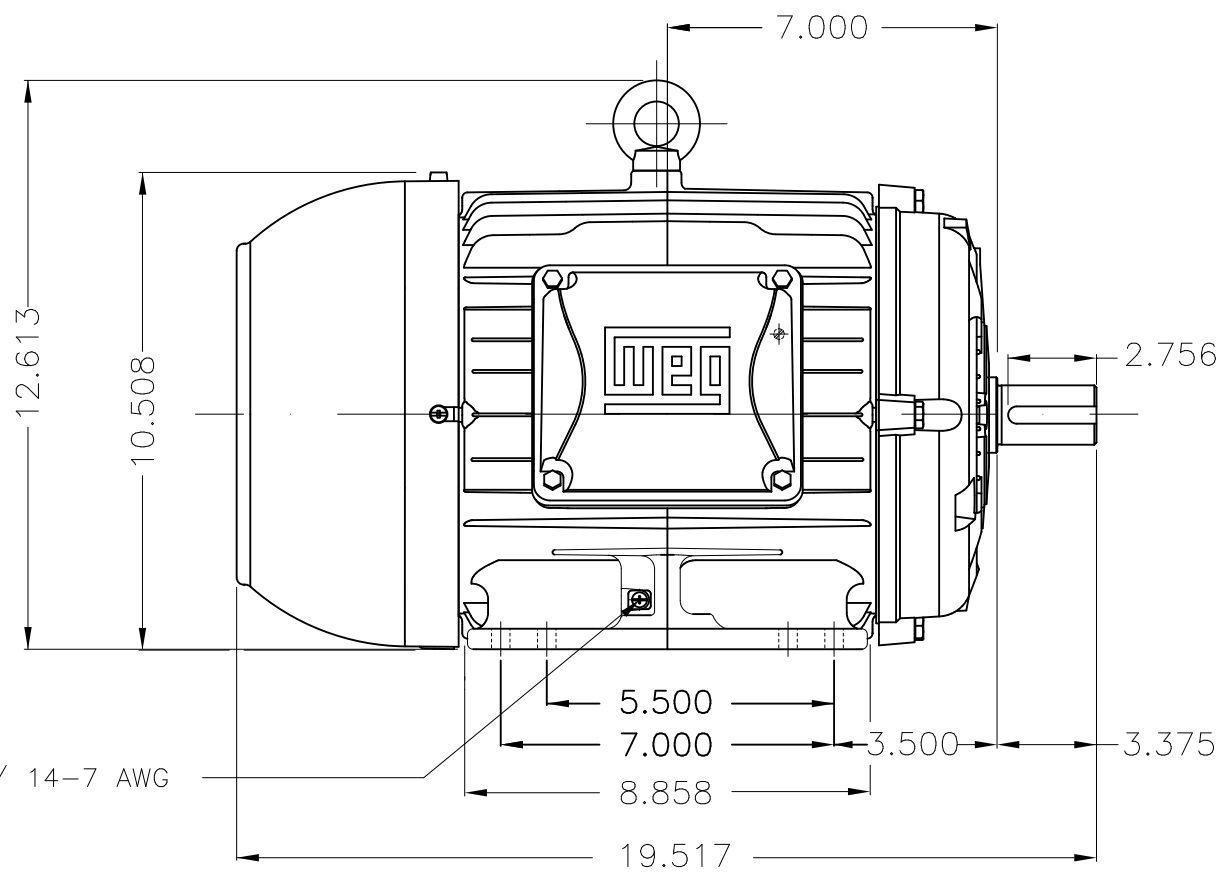


Dimensões em polegada  
Dimensions in inches

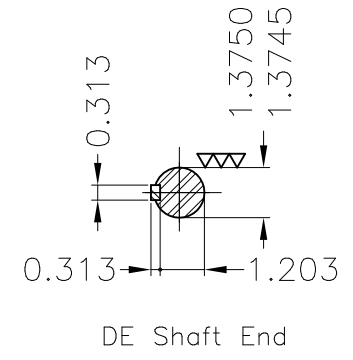
THIS IS AN UPDATED REVISION, THE  
PREVIOUS ONE MUST BE DISREGARDED.



Grounding for leads 2-10 mm<sup>2</sup> / 14-7 AWG



Grounding for leads 2-10 mm<sup>2</sup> / 14-7 AWG



Color RAL 5009  
Painting plan 202E  
Mounting B3R(D)

| ECM      | LOC        | SUMMARY OF MODIFICATIONS |  |                     | EXECUTED | CHECKED | RELEASED | DATE | VER |
|----------|------------|--------------------------|--|---------------------|----------|---------|----------|------|-----|
| EXECUTED | USERADMIN  |                          | THREE PH. W22 NEMA P.EFF MOTOR IEEE841 |                     |          |         |          |      |     |
| CHECKED  |            |                          | FRAME 213/5T IP55 TEFC                 |                     |          |         |          |      |     |
| RELEASED |            |                          | WEG code: 12378979                     |                     |          |         |          |      |     |
| REL DT   | 24.07.2017 | WMO                      | Jaragua do Sul                         | Product Engineering | SHEET    | 1 / 1   |          |      |     |

7.5 HP 04 Poles 60Hz

A

