

# Product Information Packet

November 7, 2016

Data shown is for the current revision model #. Ensure your nameplate model # matches.

<b>Model Number:</b>	<b>5KS215ATE205A</b>
<b>Catalog Number:</b>	<b>E731</b>
<b>Instruction Manual:</b>	GEI-M1023
<b>Connection Diagram:</b>	GEM2034E-FIG10
<b>Outline Drawing:</b>	358B6215AB

## Accessory Connection Diagrams

<b>Bearing Thermocouple:</b>	None	<b>Heater:</b>	None
<b>RTD:</b>	None	<b>Thermistor:</b>	None
<b>Thermostat:</b>	None	<b>Winding Thermocouple:</b>	None
<b>Bearing RTD:</b>	None		

## Table of Contents

Specification	01
Performance Characteristics	02
Outline Drawing	03
Connection Drawing(s)	04



**Marks:**

<b>MODEL NUMBER:</b>	<b>5KS215ATE205A</b>	<b>Estimated Weight:</b>	188 Lbs
<b>Outline Drawing:</b>	358B6215AB	<b>Time Rating:</b>	CONT
<b>Connection Diagram:</b>	GEM2034E-FIG10	<b>Enclosure:</b>	DP
<b>Instruction Book:</b>	GEI-M1023	<b>Encl Construction:</b>	OPEN
<b>Design Code:</b>	21AD1007A	<b>Ambient Max(°C):</b>	40
<b>Type:</b>	KS	<b>Alt Ambient Max(°C):</b>	--
<b>Frame:</b>	215T	<b>Insulation Class:</b>	F
<b>Phases:</b>	3	<b>NEMA Design:</b>	A
<b>Poles:</b>	4	<b>Nominal Efficiency:</b>	91.7 %
<b>Output Power:</b>	10HP 7.4KW	<b>Guaranteed Efficiency:</b>	90.2
<b>RPM:</b>	1760	<b>3/4 Load Efficiency:</b>	92.5
<b>Voltage:</b>	230/460	<b>KVA Code:</b>	J
<b>Hertz:</b>	60	<b>Max KVAR:</b>	3.5
<b>Amps - FL:</b>	24.8/12.4	<b>Power Factor:</b>	82
<b>Service Factor:</b>	1.15	<b>Bearing - DE:</b>	6308ZZ
<b>Alt Service Factor:</b>	--	<b>Bearing - ODE:</b>	6208ZZ

Enclosure is Dripproof

---

**Stamped Nameplate Notes:****Additional Information:**

4 POLE DP  
 LRA: 195/97.5  
 NO. OF MOTOR LEADS: 12  
 CONDUIT BOX VOLUME (IN<sup>3</sup>): 50.3  
 CONDUIT BOX MTL: STAMPED STEEL  
 GREASE TYPE: SHELL ALVANIA R3 LITHIUM GREASE  
 USABLE AT 200V @ 10HP, 27.5 AMPS @ 1.0 SF  
 50 HZ DATA: 10HP, 200/400V, 28.6/14.3 AMPS @ 1.0SF, 1455 RPM  
 SOUND POWER: 69.8  
 DMK, 06/04, DATA UPDATE 11/2004  
 INVERTER DUTY PER NEMA MG1 PART 31  
 FOR VARIABLE TORQUE LOADS

**Performance Characteristics**

1st Winding 1st Connection

**Design: 21AD1007A**

Marks:

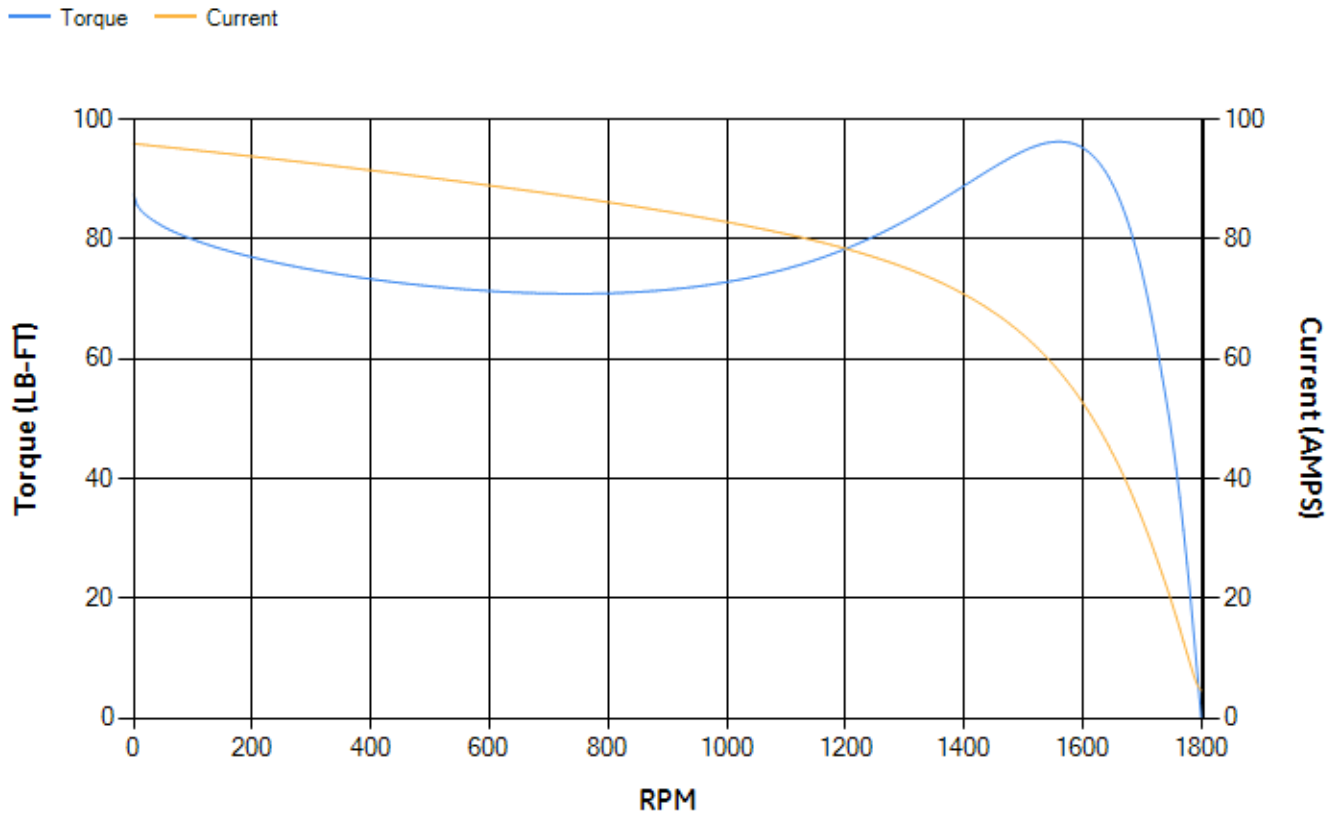
LOAD %	125.0	115.0	100.0	75.0	50.0	25.0	0.0
% EFF	90.78	91.26	92.07	92.49	92.2	88.85	0.00
% PF	84.6	84.19	83.04	78.98	69.65	48.11	5.41
AMPS	15.23	14.01	12.24	9.61	7.29	5.47	4.57

TORQ(FL)#FT	29.75	TORQ(LR)%FL	293.98	TORQ(BD)%FL	320.63
AMPS(LR)	95.93	PF AT START	0.44		

This motor is capable of two cold or one hot start with a maximum connected load inertia of 321 Lb-Ft Sq (13.51 Kg-meter Sq)at 100% voltage, where the load torque varies with the square of the speed. Acceleration time with maximum inertia and the above load type is 28 seconds. Safe stall time at 100% voltage is 69 seconds cold, 44 seconds hot. Rotor inertia is 1.01 Lb-Ft Sq (0.04 Kg-meter Sq).

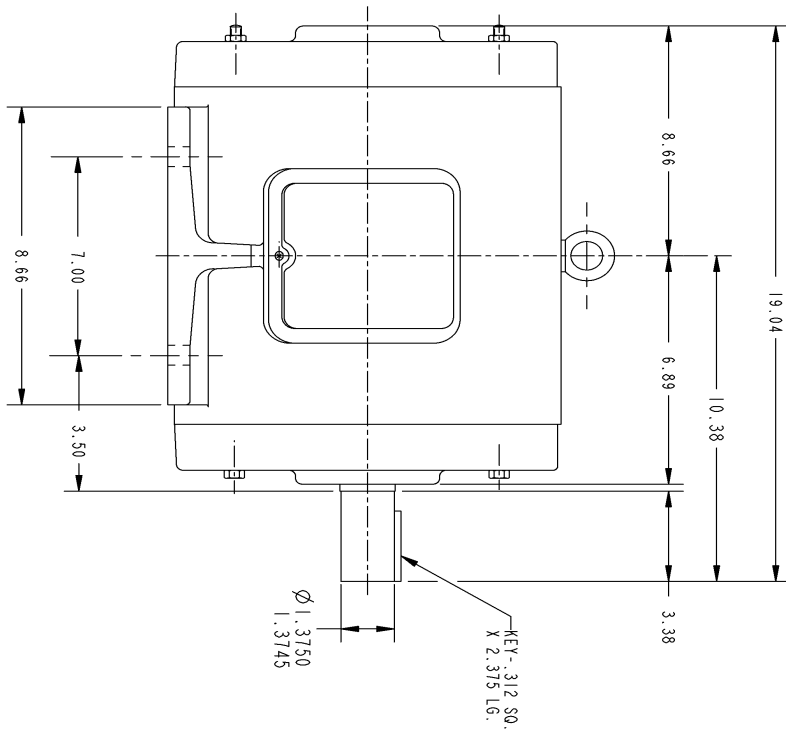
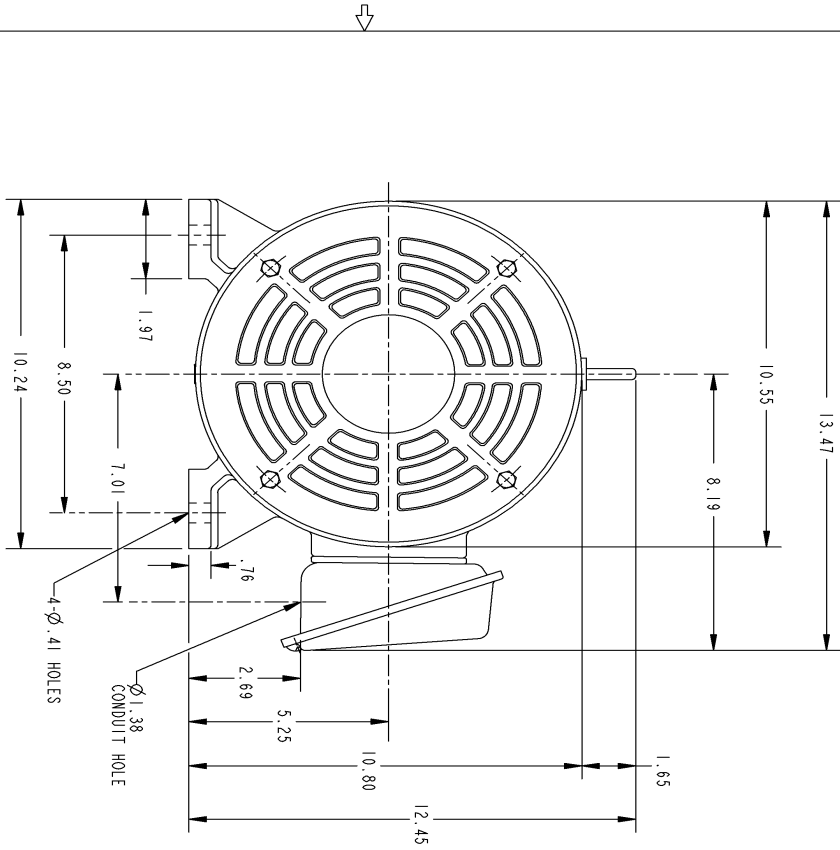
Open Circuit A-C:	0.355	Short Circuit D-C:	0.011
Short Circuit A-C:	0.015	X/R Ratio:	4.145
Stator Slots:	48	Rotor Slots:	40

**Speed Torque Current Curve (First Connection, First Speed)**



NAME:501452442 OBJECT:358B6215AB DATE:23-May-07 23:46:58

Marks:

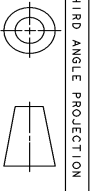


GE PROPRIETARY INFORMATION  
 This drawing is the property of General Electric Company (GE) and contains confidential information. It is intended for use only by the recipient and is not to be distributed, copied, or otherwise used without the prior written consent of GE. This drawing is the property of GE and is not to be used for any other purpose without the prior written consent of GE. This drawing is the property of GE and is not to be used for any other purpose without the prior written consent of GE. This drawing is the property of GE and is not to be used for any other purpose without the prior written consent of GE.

REV.	DESCRIPTION	DATE	APPROVED
1	ISAAC-07-0770	05/02/07	R. KOHNE

NOTES :

1. CONDUIT BOX MAY BE PLACED WITH THE ENTRANCE DOWN, UP OR ON EITHER SIDE.
2. F-1 ASM AS SHOWN.
3. F-2 ASM - HAS CONDUIT BOX ON OPPOSITE SIDE.



THIRD ANGLE PROJECTION

UNLESS OTHERWISE SPECIFIED:		SIGNATURES		DATE	
DIMENSIONS ARE IN INCHES		DRAWN		P. RAJU 03/28/03	
TOLERANCE ON:		CHECKED		PRABHAKAR 03/27/03	
2 PL DECIMALS ±		ENGRS			
3 PL DECIMALS ±		ISSUED		PRABHAKAR 03/27/03	
ANGLES ± 1°		APPLIED PRACTICES			
MATERIAL:		SIZE/DRAWING		REV.	
		B		1	
		SCALE: DRAWING SCALE		SHEET 1 OF 1	
		GENERAL ELECTRIC COMPANY			
		Fort Wayne, Indiana			
		OUTLINE			
		215T - OPEN DRIP PROOF			
		358B6215AB			
DISTRIBUTION:					

Marks:

**Connection Diagram**  
**GEM2034E-FIG10**

