

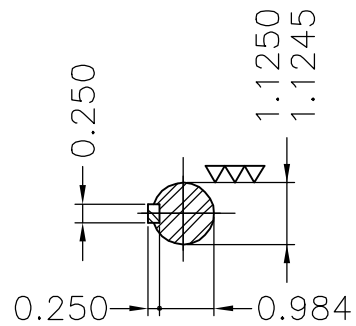
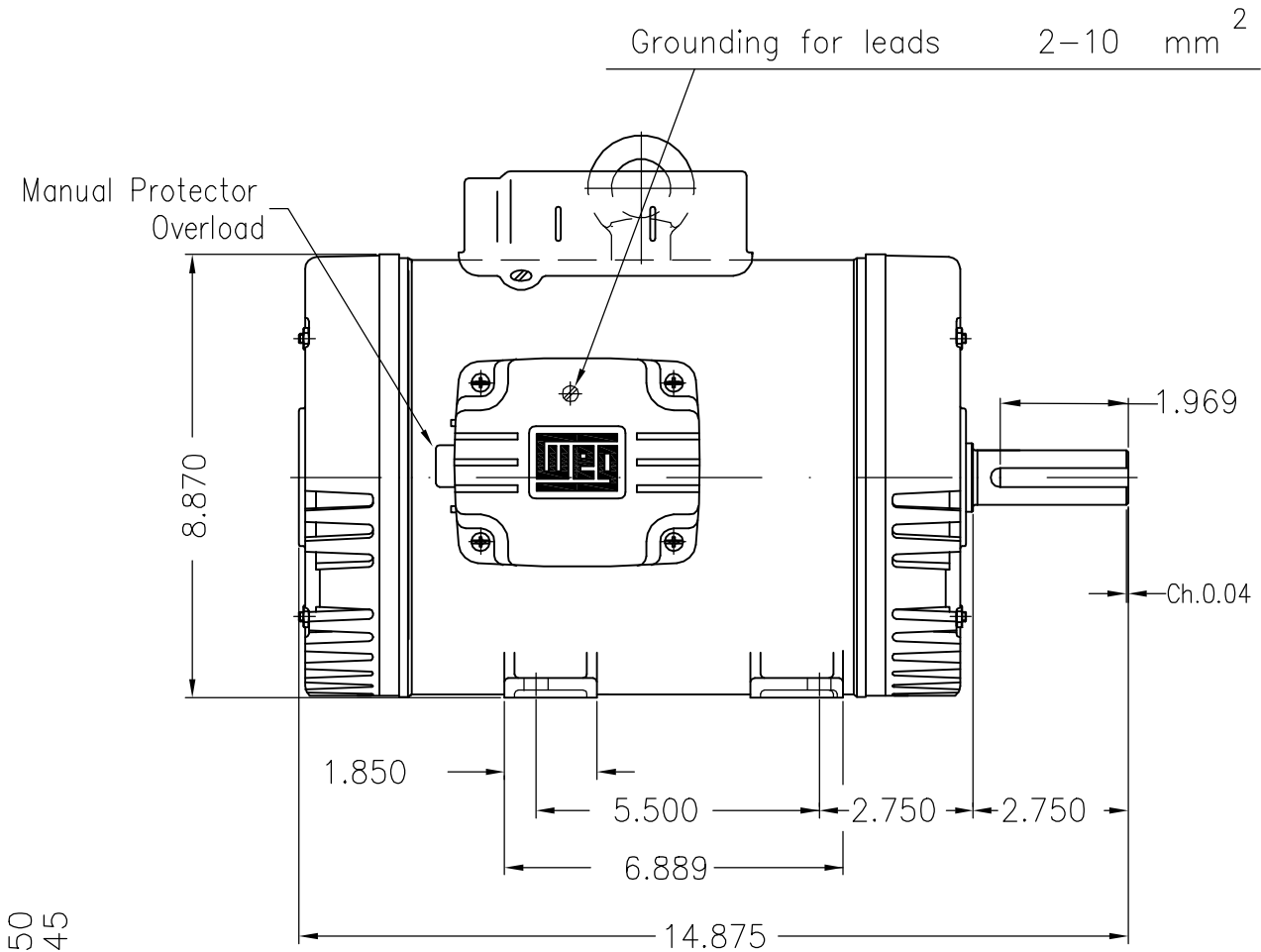
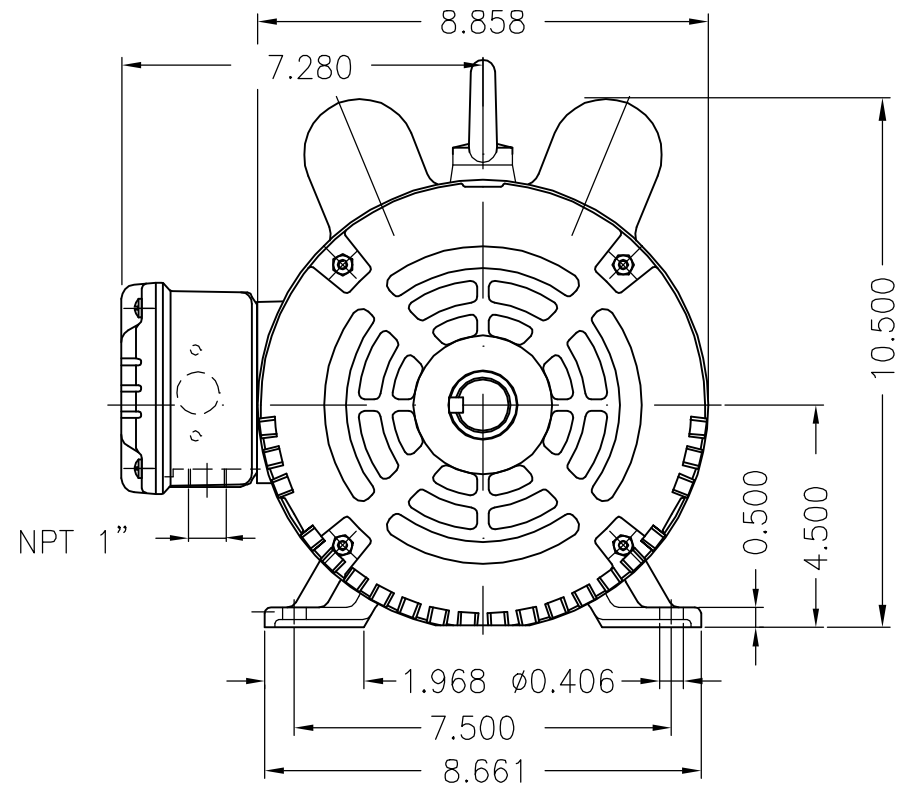
No reproduction of this drawing is allowed without written permission of WEG Motores

EIXO	
PADRÃO	X
OPCIONAL	
ESPECIAL	

**FOR APPROVAL**

- ( ) Approved
- ( ) Approved with comments
- ( ) Not approved

**THIS IS AN UPDATED REVISION, THE PREVIOUS ONE MUST BE DISREGARDED.**



Capacitores ligados em série / Serial Connected Capacitors					
Caixa de ligação trifásica / Three phase terminal box					
Sentido de rotação ambos / Rotation CW and CCW					
Protetor Térmico Manual / Manual Overload Protector					
Forma construtiva B3D / Mounting B3R(D)					
<b>WEG ELECTRIC CORP. - NORTH LAK</b>					
500000455582		ALTERADO CONFORME ECM	ODORIZZI	CSPERAFICO	18.05.2011 06
500000418575		ALT.CONFORME CLAIM 409784241	ANDERSONLB	ALISSON	21.02.2011 05
MODIF. NUMBER	LOC	SUMMARY OF MODIFICATIONS	EXECUTED	CHECKED	RELEASED DATE VER
EXECUTED	JOSIANEH	SINGLE PHASE MOTOR FRAME 184T IP22 (ODP) GERAL	10000765748		
CHECKED			000   06		
RELEASED	DEISEM				
REL. DATE	18.02.2010	WMO-JGS			

3 HP 04 Poles 60Hz

401420006

A

UNCONTROLLED COPY

RELEASED

ZME-A3