

No reproduction of this drawing is allowed without written permission of WEG Motores

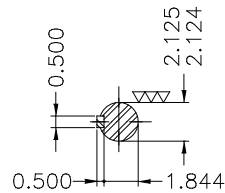
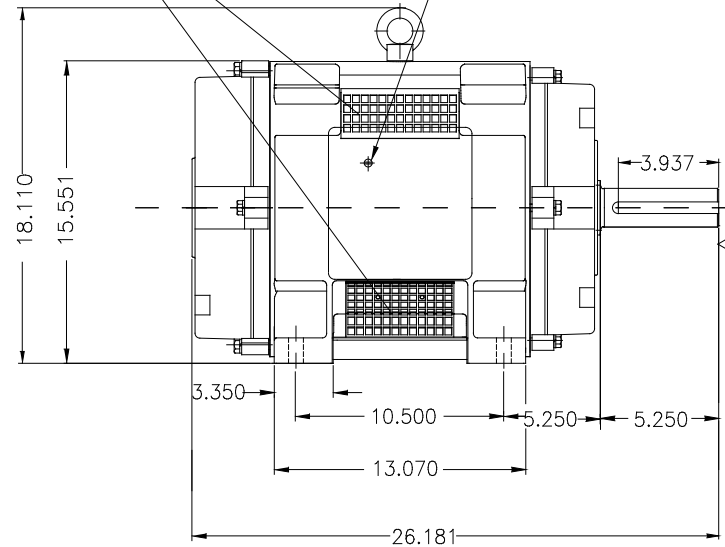
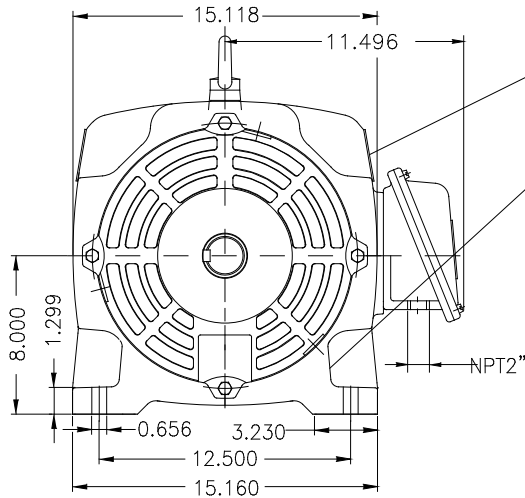
EIXO	
PADRAO	X
OPCIONAL	
ESPECIAL	

Dimensões em polegada
Dimensions in inches

THIS IS AN UPDATED REVISION, THE PREVIOUS ONE MUST BE DISREGARDED.

Tela de protecao / Screen protetion

Grounding for leads 5.2-35 mm²



Carcaça Especial / Special frame							
Isolamento Classe F (Dt=80K) / Class F Insulation - 80K Temperature Rise							
Fator de Serviço 1.0 / Service Factor 1.0							
Categoria D / Design D							
Forma Construtiva B3E / Mounting B3E							
----	--	Acrescentado Notas		Marcus	Adriana	12.06.07	4
----	--	REATIVADO		Marcus	Adriana	11.06.07	3
----	--	Desenho importado do Workflow		Marcus			2
RLM	LOC	ENGINEERING CHANGES		DRAWN	RELEASE	DATE	IND
DRAWN	Rudiberto	APLICACION					
DRAWN DATE	11.02.03						
RELEASE	Adriana	CUSTOMER					
REL. DATE	12.06.07	WEG ELETRIC MOTORS CORP.					
THREE PHASE OIL WELL PUMP. MOTOR							
FRAME 324T IP23							



25 HP 6 POLE 60 Hz X636.03.05 MEC

A

E4007746