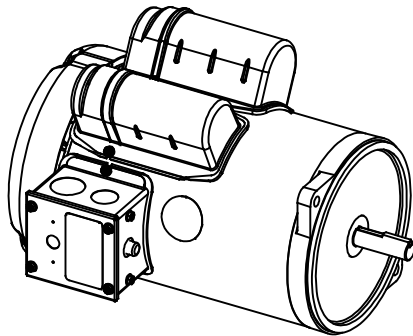
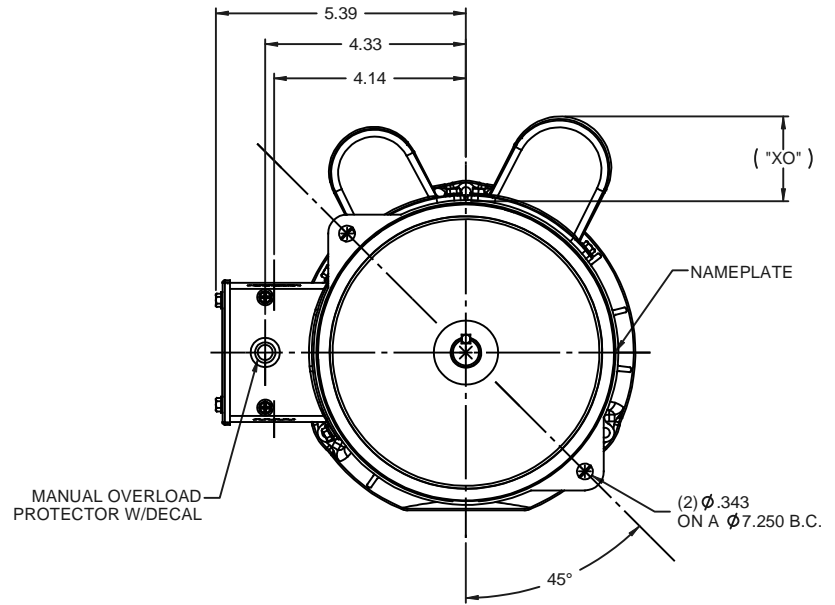
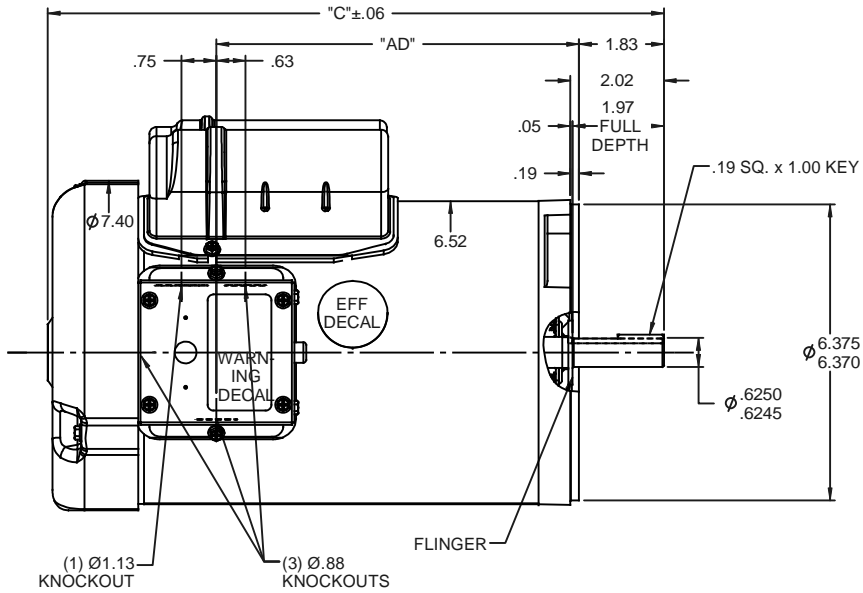



RBC PROPRIETARY AND CONFIDENTIAL INFORMATION
 This document is the property of REGAL BELOIT CORPORATION ("RBC") including its subsidiaries and divisions and contains proprietary information of RBC. This document is loaned on the express condition that neither it nor the information contained therein shall be disclosed to others without the express written consent of RBC, and that the information shall be used by the recipient only as approved expressly by RBC. This document shall be returned to RBC upon its request. This document may be subject to certain restrictions under U.S. export control laws and regulations.



DASH NO.	"C"	"AD"	CAP DASH	"XO"
700	11.77	6.31	A	1.15
750	12.27	6.81	B	1.60
800	12.77	7.31	C	1.82
850	13.27	7.81		

NOTE:
1) GASKETS THROUGHOUT

TOLERANCES UNLESS SPECIFIED		 ELECTRIC MOTORS GEARMOTORS AND DRIVES	DRAWN
DEC	INCHES		JJK 03/28/08
X	±.1	TITLE OUTLINE - 56 FRAME REF TEFC - OIL BURNER FLANGE MAT'L	CHK
.XX	±.03		APPR
.XXX	±.005		SCALE 3:8
.XXX	±.0005		REF 028801
			FMF
NO	REVISION	BY & DATE	PAGE OF
	THIRD ANGLE PROJECTION	CHK ANG ±1/2"	FINISH
		RFP	PREV
		NETWORK FILE NAME	SIZE
			DRAWING NO
			028832
			REV