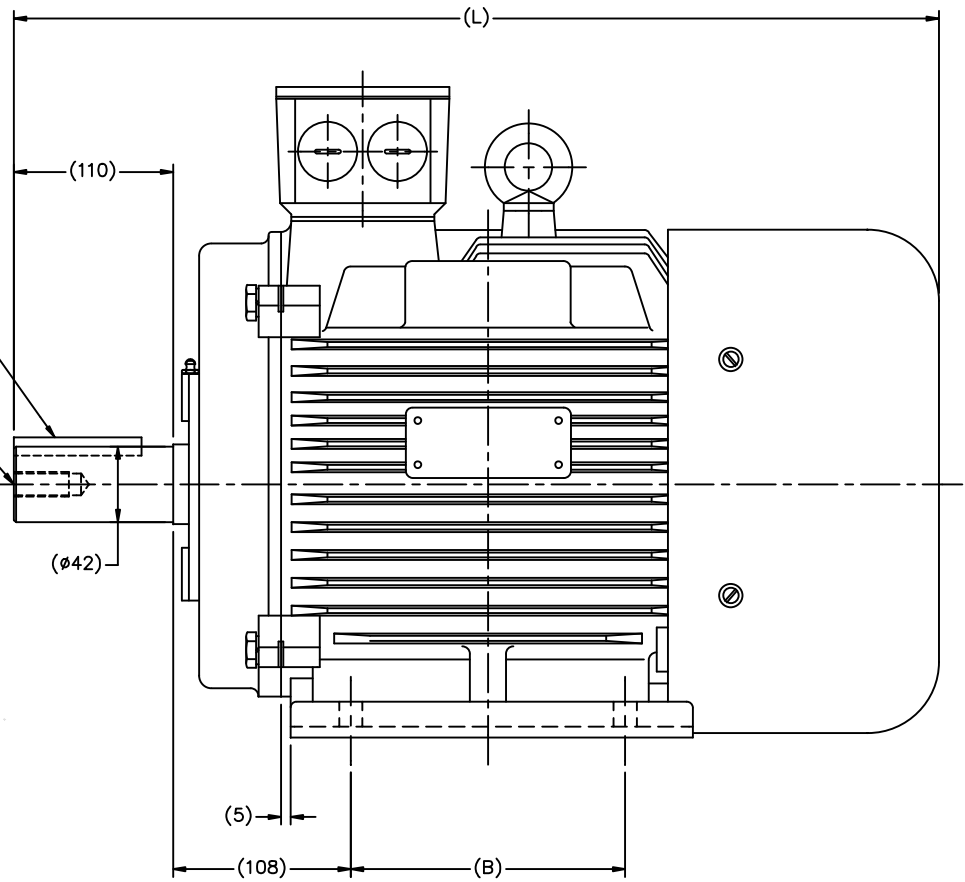



(12x12x84)
KEY
M16
36 DEEP
1 HOLE



DF160M1-2R	193315.60	600	210
DF160M2-2R	193318.60	600	210
DF160M-4R	193316.60	600	210
DF160L-2R	193321.60	645	254
DF160L-4R	193319.60	645	254
DF160M-6R	193314.60	600	210
FRAME	PART #	L	B

(MAY NOT BE DRAWN TO SCALE)

(DIMENSIONS ARE IN MILLIMETERS)

				TOLERANCES UNLESS SPECIFIED		 REGAL-BELOIT CORPORATION		DRAWN MSG 11-17-2010	
				DEC.	METRIC			CHK MJS 11-18-2010	
				.X	±2.5	TITLE OUTLINE - IEC PREMIUM		APPD SB 11-18-2010	SCALE 5=16
				.XX	±.76	DF160-R (II)		REF	
				.XXX	±.127	MAT'L		FMF	HEBEI
				.XXXX	±.0127	FINISH		PREV	
NO.	REVISION	BY & DATE	CHK	ANG	±7'30"	RFP 11-18-2010 CAD FILE ss622239		SIZE B	DRAWING NO. PAGE OF REV. SS622239
THIS DRAWING IN DESIGN AND DETAIL IS OUR PROPERTY AND MUST NOT BE USED EXCEPT IN CONNECTION WITH OUR WORK ALL RIGHTS OF DESIGN AND INVENTION ARE RESERVED THIS IS AN ELECTRONICALLY GENERATED DOCUMENT - DO NOT SCALE THIS PRINT									