

Product Information Packet

November 8, 2016

Data shown is for the current revision model #. Ensure your nameplate model # matches.

Model Number:	5KS213SAA308D1
Catalog Number:	M9111
Instruction Manual:	GEI-56128
Connection Diagram:	GEM2034E-FIG1
Outline Drawing:	4002B5821PAP5201

Accessory Connection Diagrams			
Bearing Thermocouple:	None	Heater:	None
RTD:	None	Thermistor:	None
Thermostat:	None	Winding Thermocouple:	None
Bearing RTD:	None		

Table of Contents

Specification	01
Performance Characteristics	02
Outline Drawing	03
Connection Drawing(s)	04
Spare parts	05



Marks:

MODEL NUMBER:	5KS213SAA308D1	Estimated Weight:	200 Lbs
Outline Drawing:	4002B5821PAP5201	Time Rating:	CONT
Connection Diagram:	GEM2034E-FIG1	Enclosure:	TEFC
Instruction Book:	GEI-56128	Encl Construction:	X\$D
Design Code:	21BD3003A	Ambient Max(°C):	40
Type:	KS	Alt Ambient Max(°C):	65
Frame:	213T	Insulation Class:	H
Phases:	3	NEMA Design:	B
Poles:	6	Nominal Efficiency:	89.5 %
Output Power:	3HP 2.2KW	Guaranteed Efficiency:	88.5
RPM:	1175	3/4 Load Efficiency:	89.7
Voltage:	460	KVA Code:	K
Hertz:	60	Max KVAR:	1.6
Amps - FL:	4.3	Power Factor:	73.0
Service Factor:	1.25	Bearing - DE:	6208ZC3
Alt Service Factor:	1.00	Bearing - ODE:	6208ZC3

Enclosure is Totally Enclosed Fan-Cooled

Stamped Nameplate Notes:

SF AMPS 5.1
 STAMP NP249A5564P051 AS BELOW:
 MODEL:5KS213SAA308D1 S/N: XXX
 CSA CERTIFIED CSA09.2216219 FOR EX NA IIC 200C GC
 CL 1 ZONE2 AEX NA IIC 200C;CL 1 DIV2 GRP ABCD 200C
 IN -40C <= AMB <= 40C, 1.0 SF ON SINE-WAVE PWR
 SURF TEMP 200C AT 1.25SF ON SINE-WAVE PWR
 OR 200C VT OR 200C CT OR 200C CHP PWM CONTROL
 ALTERNATE RATING FOR PWM CONTROL 1.0SF 40C AMB
 VT 0 - 60 HZ, CT 3-60 HZ, CHP 60-90 HZ.

Additional Information:

6P - T EXTN
 STANDARD FLOOR MOUNT
 C/BOX 55 CU IN-1.00 NPT
 F1 CONDUIT BOX MOUNTING
 OIL RESISTANT SLEEVING ON LEADS

Performance Characteristics

1st Winding 1st Connection

Design: 21BD3003A

Marks:

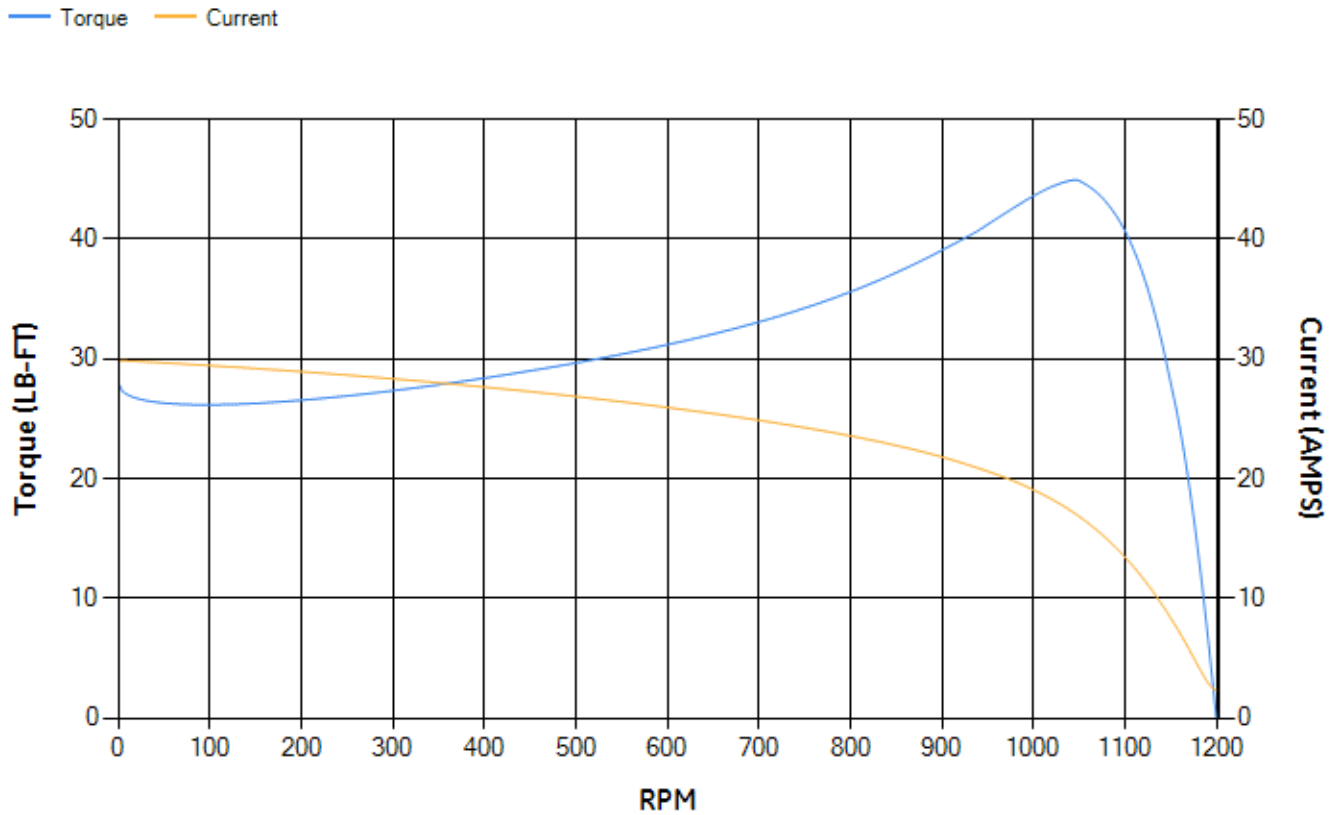
LOAD %	125.0	115.0	100.0	75.0	50.0	25.0	0.0
% EFF	88.65	89.07	89.74	89.72	88.5	82.66	0.00
% PF	76.94	75.7	73.11	66.11	53.91	33.87	5.62
AMPS	5.15	4.79	4.28	3.55	2.94	2.51	2.29

TORQ(FL)#FT	13.38	TORQ(LR)%FL	209	TORQ(BD)%FL	333.07
AMPS(LR)	29.87	PF AT START	0.46		

This motor is capable of two cold or one hot start with a maximum connected load inertia of 430 Lb-Ft Sq (18.1 Kg-meter Sq)at 100% voltage, where the load torque varies with the square of the speed. Acceleration time with maximum inertia and the above load type is 60 seconds. Safe stall time at 100% voltage is 133 seconds cold, 106 seconds hot. Rotor inertia is 0.65 Lb-Ft Sq (0.03 Kg-meter Sq).

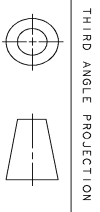
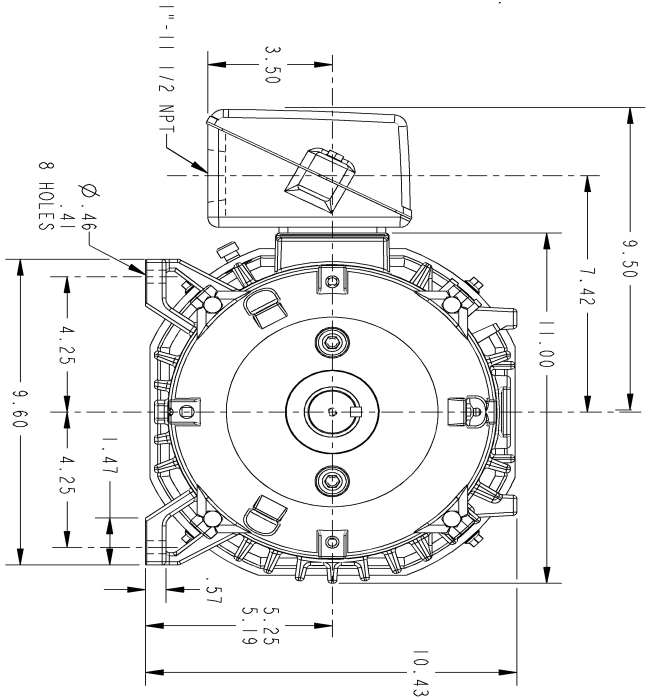
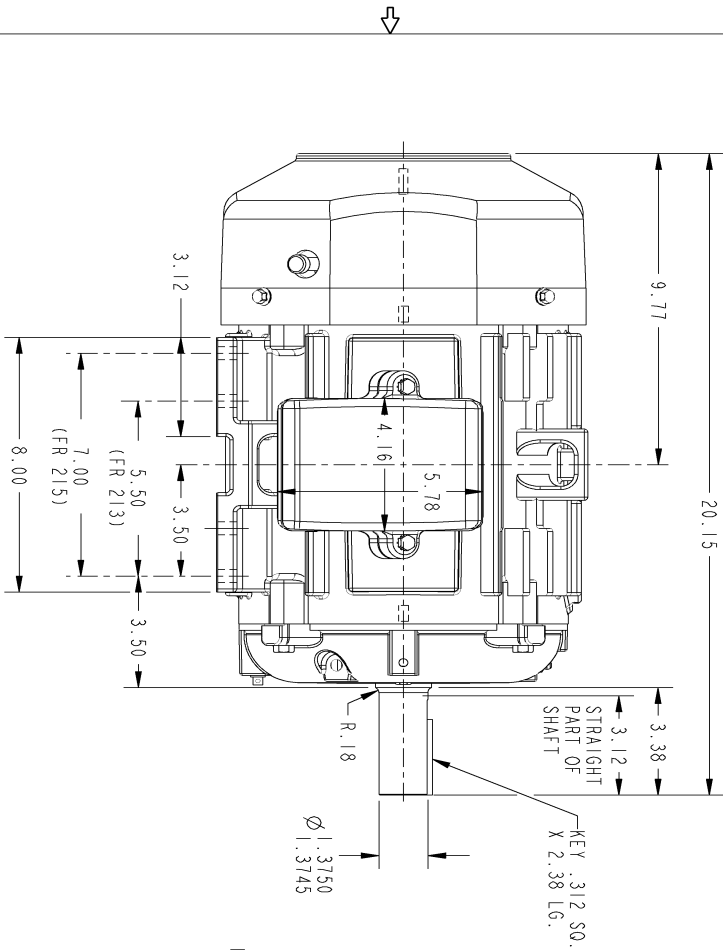
Open Circuit A-C:	0.238	Short Circuit D-C:	0.009
Short Circuit A-C:	0.015	X/R Ratio:	3.473
Stator Slots:	36	Rotor Slots:	44

Speed Torque Current Curve (First Connection, First Speed)



Marks:

NOTE 1: CONDUIT BOX MAY BE ASSEMBLED WITH ENTRANCE UP, DOWN OR TO EITHER SIDE.
 NOTE 2: F1 ASSEMBLY AS SHOWN. F2 ASSEMBLY CONDUIT BOX ON OPPOSITE SIDE FROM SHOWN LOCATION.



THIRD ANGLE PROJECTION

SIZE B DRAWING NO. 4002B5821PAP5201 SH 1 REV 1

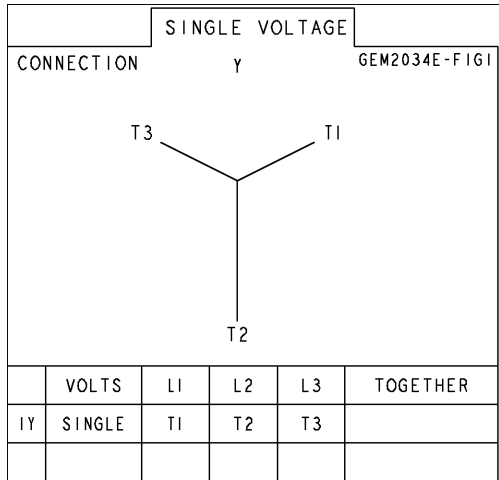
REVISIONS			
REV.	DESCRIPTION	DATE	APPROVED
1	ISAAC #15-0018 PRASANNA	08/01/2015	ADI

SIGNATURES	DATE	GE Industrial Systems GENERAL ELECTRIC COMPANY Fort Wayne, Indiana	
DRMAN GARY WARRNER	JAN 22/02	INDUCTION MOTOR OUTLINE STANDARD CONSTRUCTION FME: FR213/25T TFC	
CHECKED GARY WARRNER	11/9/02		
ENGR GARY WARRNER	08/02		
ISSUED GARY WARRNER	08/02		
APPLIED PRACTICES		SIZE DRAWING	REV.
		B	1
SCALE: 0.300		REF. NO: 4002B5821PAP201	SHEET 1 OF 1

DISTRIBUTION: PMP-18K15

Marks:

Connection Diagram
GEM2034E-FIG1



End shield Assembly		
Part Description	DE Side Part#	ODE Side Part#
End Shield	4004D5282PB1	4004D5282SJ1
Bearing	235A2603AA01	235A2603AA01
Slinger/Inproseal	149C4399G01	149C4399G01

Fan & Fan Cover Assembly	
Part Description	Part#
Fan	159C6700G01
Fan Cover	4003C5787PA1

Conduit & Accessories Box Assembly	
Part Description	Part#
Conduit Box	4002B5721PA-G01

Mechanical Accessories	
Part Description	Part#
Brake	
Tachometer	