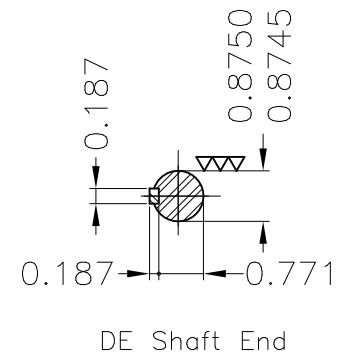
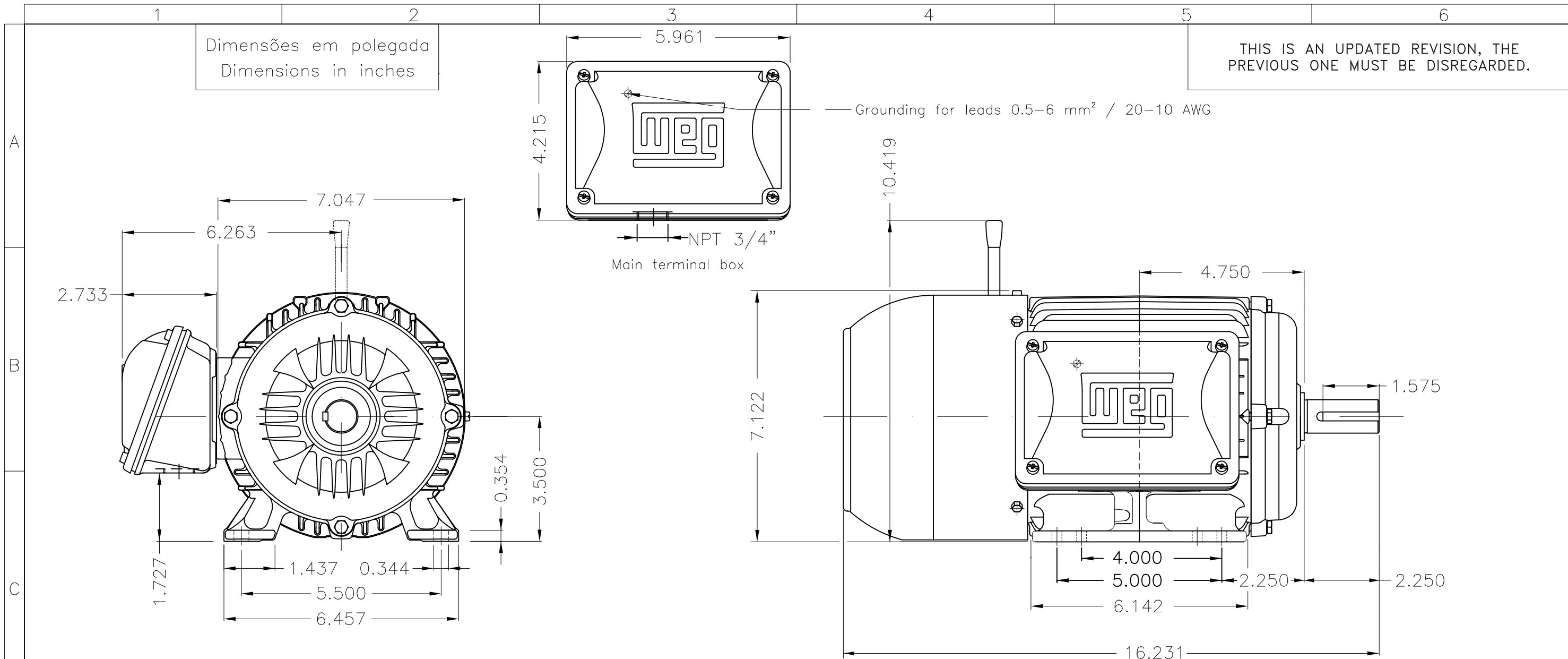


Dimensões em polegada  
Dimensions in inches

THIS IS AN UPDATED REVISION, THE  
PREVIOUS ONE MUST BE DISREGARDED.



A  
B  
C  
D  
E

Color RAL 5009									
Painting plan 207A									
Mounting B3R(D)									
ECM	LOC	SUMMARY OF MODIFICATIONS			EXECUTED	CHECKED	RELEASED	DATE	VER
EXECUTED	USERADMIN		W22 THREE PHASE BRAKE MOTOR - NEMA PREMIUM EFF						
CHECKED			FRAME 143/5T IP55 TEFC						
RELEASED			WEG code: 13473874						
REL DT	24.07.2017	WMO	Jaragua do Sul	Product Engineering	SHEET	1 / 1			



1 HP 06 Poles 60Hz