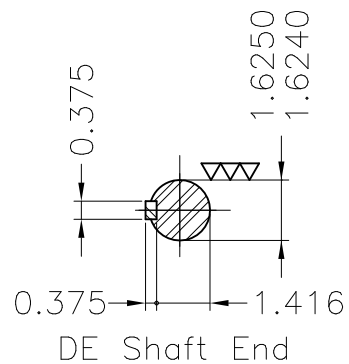
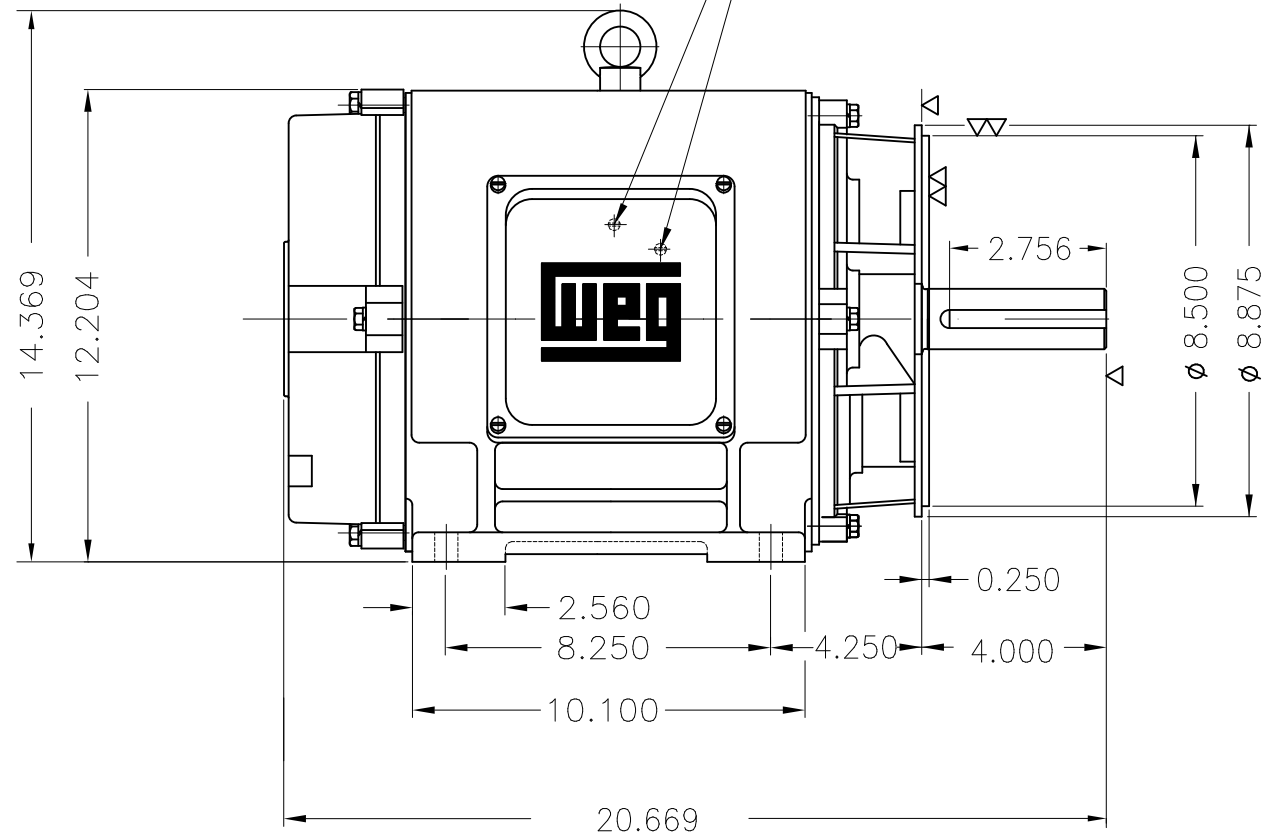
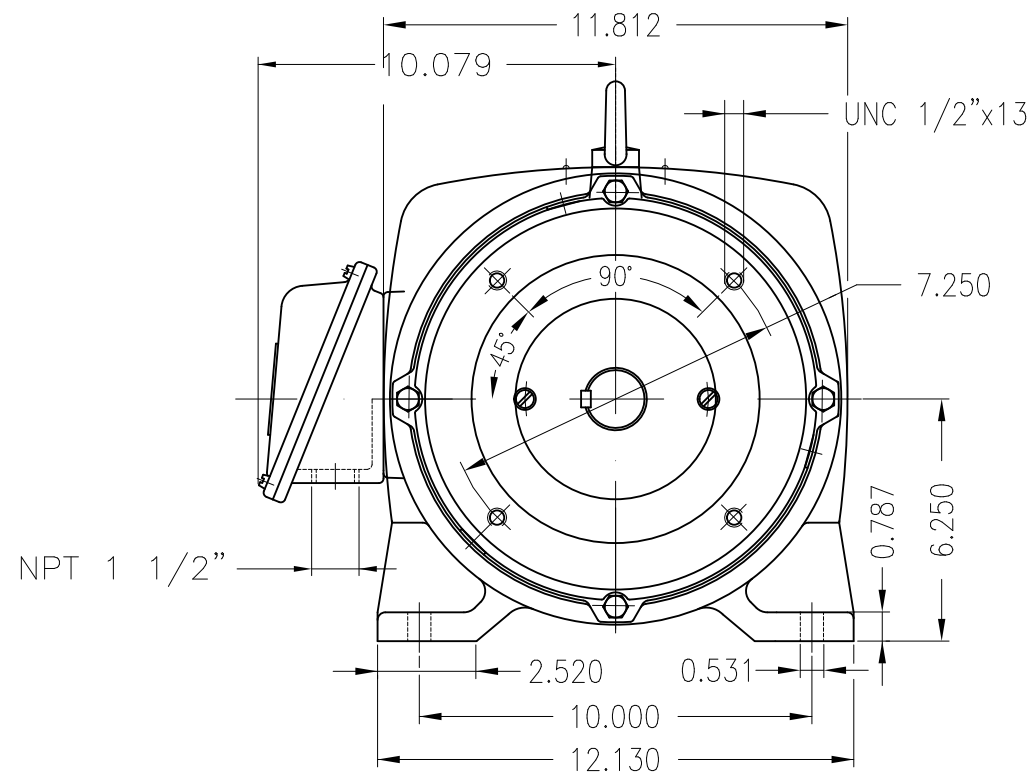


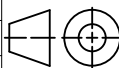
Dimensões em polegada
Dimensions in inches

THIS IS AN UPDATED REVISION, THE
PREVIOUS ONE MUST BE DISREGARDED.

Grounding for leads 5.2–25 mm² / 10–4 AWG



Bearing cap
Color RAL 5009
Painting plan 203A
Mounting B34R(D)

| ECM | LOC | SUMMARY OF MODIFICATIONS | | | EXECUTED | CHECKED | RELEASED | DATE | VER |
|----------|------------|-------------------------------------------------------------------------------------------------------------------------------------------------------------------|----------------|---------------------|----------|---------|----------|------|-----|
| EXECUTED | USERADMIN |  THREE PHASE NEMA P. EFF MOTOR FRAME 254TC IP23 ODP WEG code: 11837160 | | | | | | | |
| CHECKED | | | | | | | | | |
| RELEASED | | | | | | | | | |
| REL DT | 24.07.2017 | WMO | Jaragua do Sul | Product Engineering | SHEET | 1 / 1 | | | |

20 HP 02 Poles 60Hz

A

