

DATE  
Februry 19, 2004

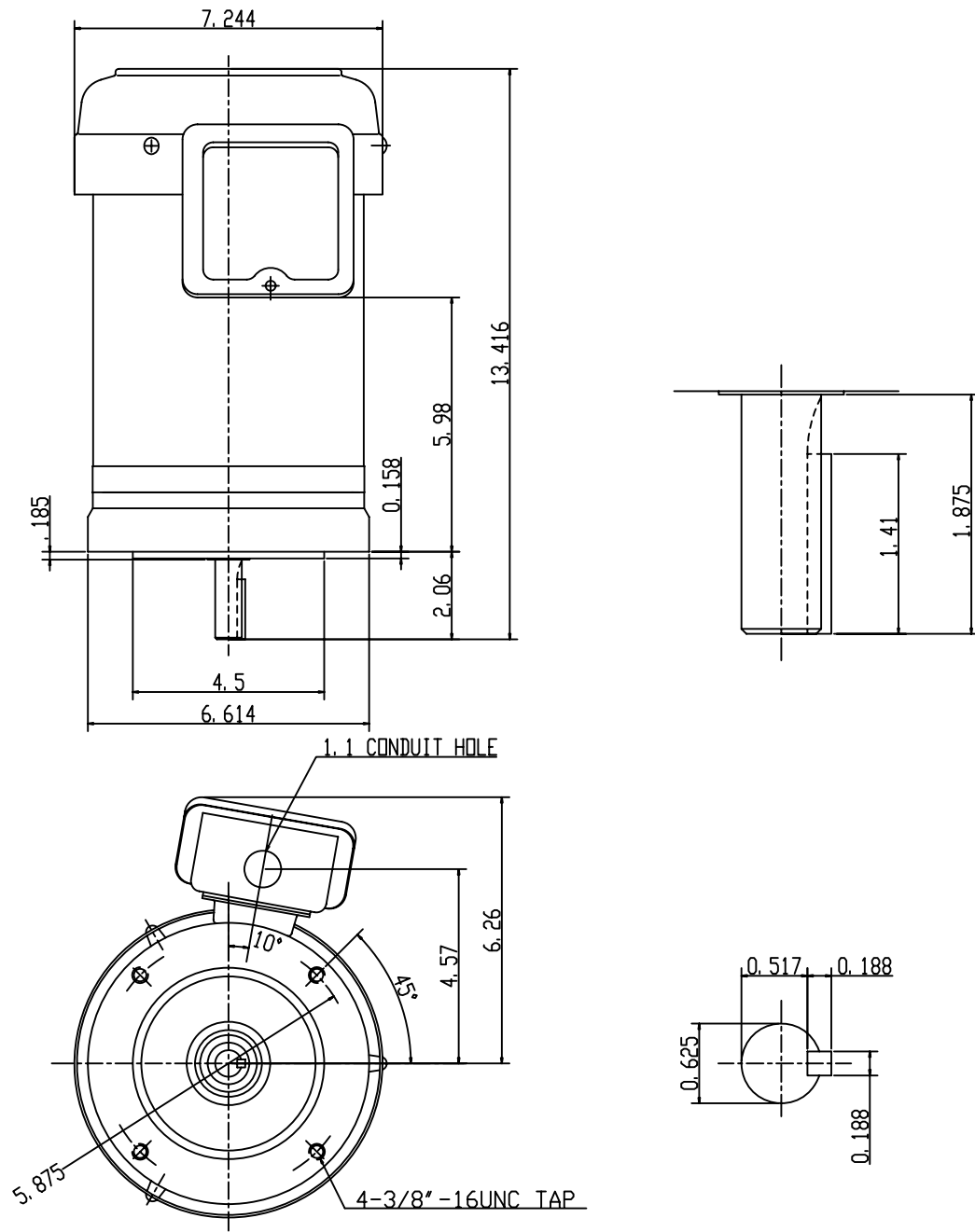
OUTLINE DIMENSIONS  
3-PHASE INDUCTION MOTOR

MODEL TYPE:  
AETACF  
FRAME NO. C56C

CATALOG NO.  
GV1/54C

Pole	HP	KW	Hz	VOLT	Syn. Speed R. P. M
4	1.5	1	60	230/460	1800

Ins.	Rating	Dimensions in	Approx Weight	Bearings
F	CONT.	inch	37 lbs.	DF: 6205ZZ NDE: 6204ZZ



--	--	--	--	--	--

APPD.	W. H. TSAI	03 31 03
CHKD.	J. B. CHEN	03 31 03
DWN.	P. J. CHEN	03 31 03



DWG NO.  
31049Z105  
0759