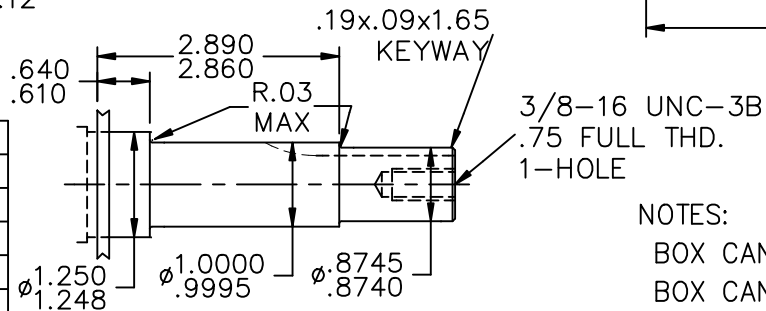
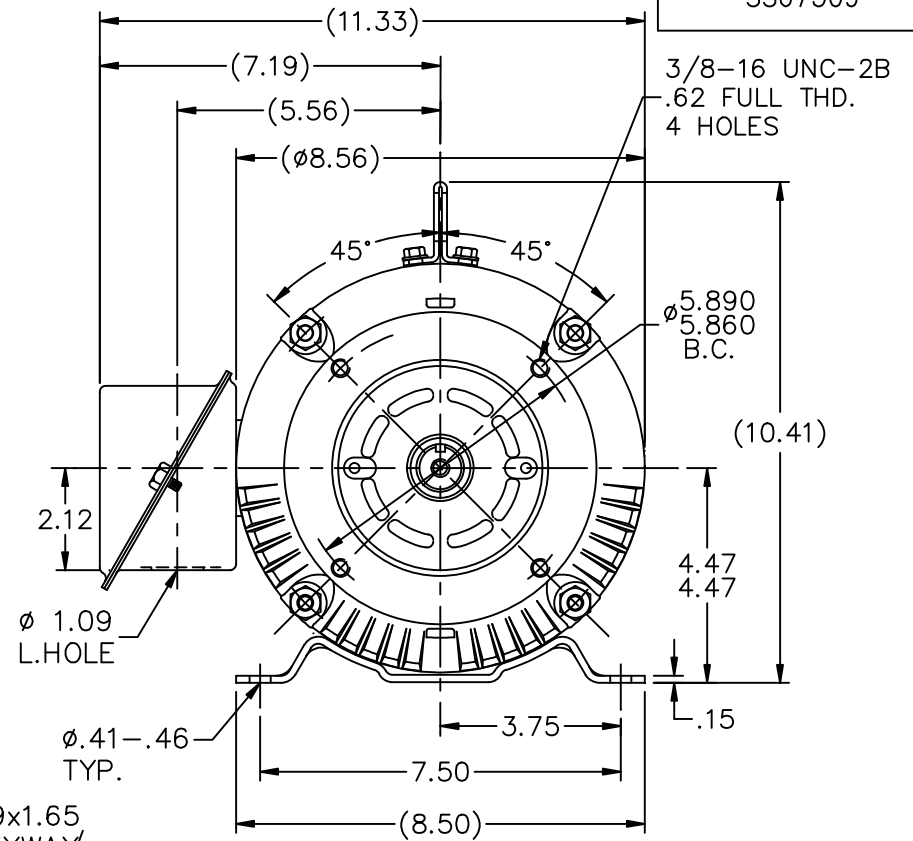
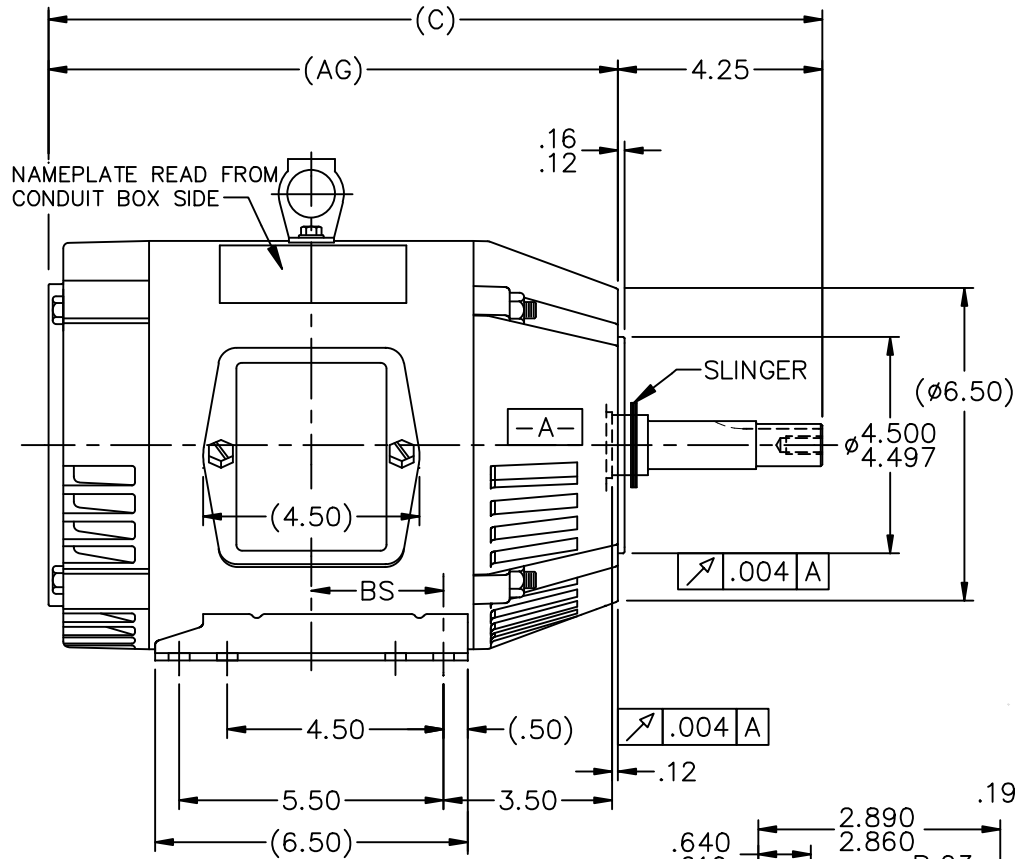


SS67309



DETAIL OF SHAFT EXT.

NOTES:
 BOX CAN BE ROTATED IN 90° STEPS.
 BOX CAN BE MOUNTED ON OPPOSITE SIDE BY
 REMOVING BRACKETS AND TURNING FRAME 180°

DASH	FR	AG	C	BS	MOUNTING
575	182T	10.84	15.09	2.25	F1 OR F2
625	182T	11.34	15.59	2.50	F1 ONLY
675	182/4T	11.84	16.09	2.75	F1 OR F2
725	182/4T	12.34	16.59	3.00	F1 ONLY
775	182/4T	12.84	17.09	3.25	F1 ONLY
825	182/4T	13.34	17.59	3.50	F1 ONLY
875	182/4T	13.84	18.09	3.75	F1 ONLY

NO.	REVISION	BY & DATE	CHK	TOLERANCES UNLESS SPECIFIED	
				DEC.	INCHES
11	REDRAWN IN AUTOCAD	TAT 07-06-2004	ML	.X	±.1
10	ADDED LIFT LUG CN 34025	NJS 07-20-2001	.XX	±.03	
9	ADDED FRAME SIZE TO -825 & -875 CN 27400-320	CAE 11-03-1999	.XXX	±.005	
8	REVISED DASH TABLE CN 27451	MRB 05-11-1999	.XXXX	±.0005	
			ANG	±7'30"	

	DRAWN DJK 04-26-1993		
	CHK	ML	07-22-1993
TITLE OUTLINE - JM EXT. 180 FR. - BB - TS - DR.PR. - C' FACE	APPD	GK	07-22-1993
	SCALE	1=4	
MAT'L.	REF		
FINISH	FMF		
	PREV		
RFP	CAD FILE	ss67309	
DIST	LB		
SIZE	DRAWING NO.	PAGE	OF
A	SS67309		
			REV.
			11

THIS DRAWING IN DESIGN AND DETAIL IS OUR PROPERTY AND MUST NOT BE USED EXCEPT IN CONNECTION WITH OUR WORK ALL RIGHTS OF DESIGN AND INVENTION ARE RESERVED THIS IS AN ELECTRONICALLY GENERATED DOCUMENT - DO NOT SCALE THIS PRINT