

4

3

2

1

GENERAL INFORMATION:

SHAFT RUNOUT: .001 [.03] T.I.R. PER INCH LENGTH OF EXTENSION

BEARINGS: BALL

MOUNTING POSITION: ALL ANGLE

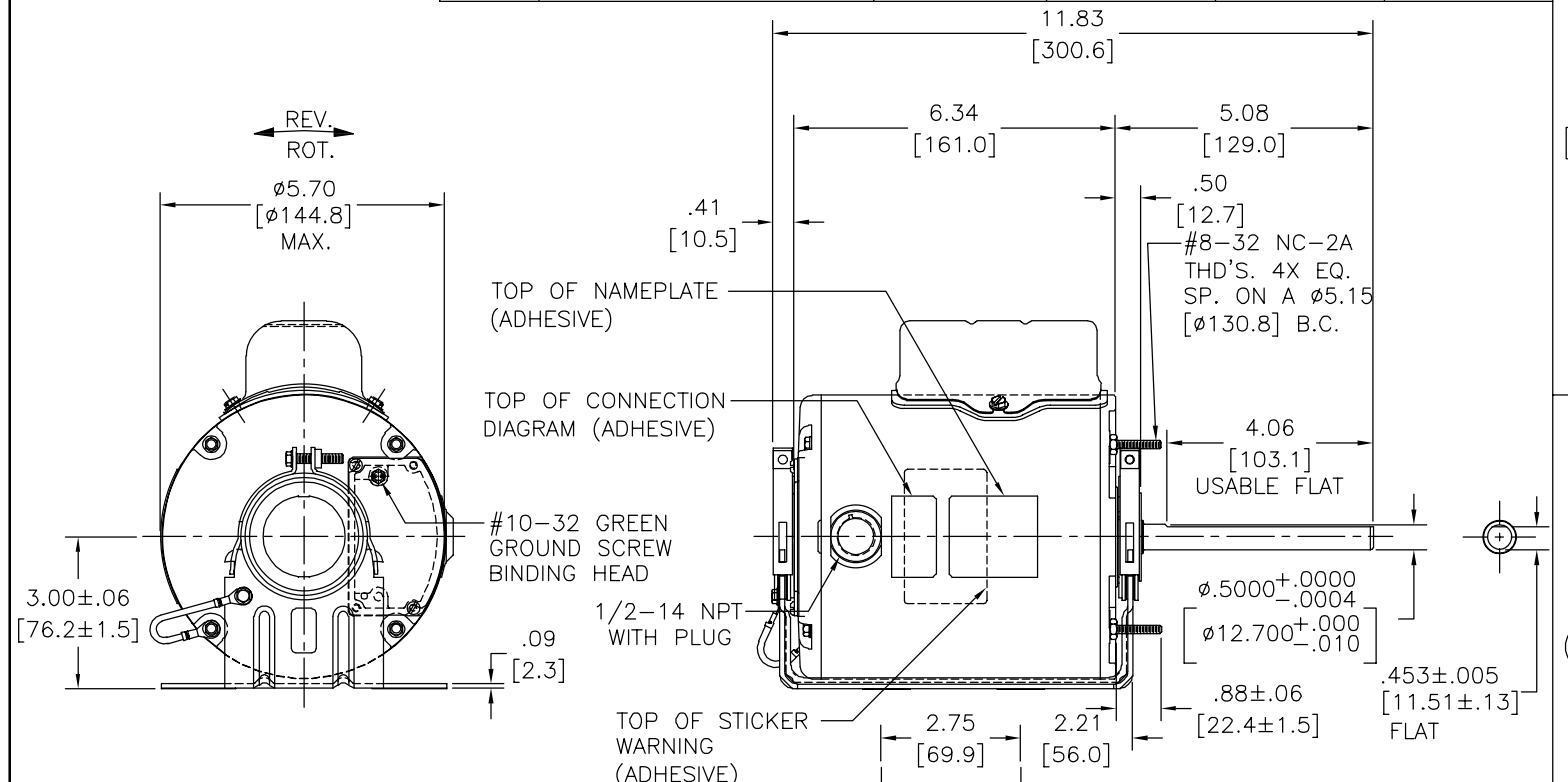
ELECTRICAL DATA:

OVERLOAD PROTECTOR: AUTOMATIC RESET (T.I. 7AM 036)

LEADS: NO. 18 GA., .03 [.8] THK. XLP 125°C INSUL.

GROUND LEAD: NO. 18 GA., .03 [.8] THK., GREEN/YELLOW INSUL.

REV	ECO	REV BY	DATE	APPD	DATE
H	0025527	J.AGUILERA	04-24-2012	R.RASCON	04-24-2012



NOTES:

- SHIP SEPARATE 2010094-001 BAG ASSEMBLY.
- MOTOR TO BE SHIPPED CONNECTED FOR CCWLE ROTATION AND 115 VOLTS.

GREEN/YELLOW (GROUND)	CONNECTED TO BASE	#10 EYELET
RED	CONNECTED TO CAPACITOR	.25 [6.4] FLAG
RED	CONNECTED TO CAPACITOR	.25 [6.4] FLAG
YELLOW	5.0/7.0 [127/178]	.25 [6.4] FLAG
BLACK	5.0/7.0 [127/178]	.25 [6.4] FLAG
ORANGE	5.0/7.0 [127/178]	.25 [6.4] FLAG
WHITE	5.0/7.0 [127/178]	.25 [6.4] FLAG
RED	5.0/7.0 [127/178]	.25 [6.4] FLAG
BROWN	5.0/7.0 [127/178]	.25 [6.4] FLAG
YELLOW/BLACK	5.0/7.0 [127/178]	.25 [6.4] FLAG
COLOR	LENGTH	TERMINAL OR STRIP LENGTH

NAMEPLATE DATA:	EXTERNAL CONNECTION DIAGRAM
MODEL NO.: F48Y60A01 CUST. P/N: 731A HP: 1/4 ROT.: REVERSIBLE RPM: 1140 TYPE: UF FRAME: 48Y VOLTS: 115/208-230 PH: 1 AMPS: 3.1/1.6 HZ: 60 INS.: B AMB.: 60° C DUTY: AIR OVER CAP.: 4 MFD/370 V ENCL: ENCLOSED UL LOGO CSA LOGO THERMALLY PROTECTED	

PERFORMANCE CURVE NO.	TORQUE @ 1140 RPM (25°C)	APPROVED SAMPLE	UL COMPONENT FILE #	CCN #	CSA FILE #	CLASS #
C32633	19.1 OZ. FT.	0601394A	E46412	PRGY2	LR43341	4211-01

MAIN FRAME - OLE	ENCLOSED
END FRAME - OLE	ENCLOSED
MAIN FRAME - LE	ENCLOSED
END FRAME - LE	ENCLOSED

CUSTOMER	DISTRIBUTION SERVICE
----------	----------------------

GEOMETRIC CHARACTERISTICS & SYMBOLS
 □ FLATNESS
 — STRAIGHTNESS
 < ANGLARITY
 ⊥ PERPENDICULARITY (SQUARENESS)
 // PARALLELISM
 ○ ROUNDNESS (CIRCULARITY)
 ∅ CYLINDRICITY
 △ PROFILE OF ANY SURFACE
 ∩ PROFILE OF ANY LINE
 ↑ RUNOUT
 ⊕ TRUE POSITION
 ⊙ CONCENTRICITY
 = SYMMETRY
 ASME Y14.5M 1994

REGAL-BELOIT CORPORATION (RBC) PROVIDES TECHNICAL ASSISTANCE TO OUR CUSTOMERS IN SEVERAL AREAS. SINCE RBC DOES NOT RECEIVE ALL DATA CONCERNING THE USE AND APPLICATION OF THE MOTOR, THE SUITABILITY OF THE MOTOR FOR THE APPLICATION MUST BE DETERMINED BY THE CUSTOMER.
 DIMENSIONS WITHOUT TOLERANCES ARE FOR REFERENCE ONLY.

DR BY: caddie zhou 01-12-2008
 APPD: SW 04-24-2008
 THIRD ANGLE PROJECTION
 CONFIDENTIAL: THIS DRAWING AND ITS INFORMATION ARE THE EXCLUSIVE AND CONFIDENTIAL PROPERTY OF REGAL-BELOIT CORPORATION AND ARE NOT TO BE DISCLOSED, DUPLICATED, DISTRIBUTED OR OTHERWISE USED WITHOUT THE WRITTEN CONSENT OF REGAL-BELOIT CORPORATION. -ALL RIGHTS RESERVED.

DESCRIPTION	
MODEL-RFHP-48FR OUTLINE	
SIZE C	DWG NO 731A
SCALE NONE	SHEET 1

4

3

2

1

4

3

2

1

REVISION:	ECO	REVISADO POR:	FECHA:	APROBADO POR:	FECHA:
H	0025527	J.AGUILERA	04-24-2012	R.RASCON	04-24-2012

INFORMACION GENERAL:

OSCILACION DE FLECHA: .001 [.03] T.I.R. PER INCH LENGTH OF EXTENSION

BALEROS: BALERO

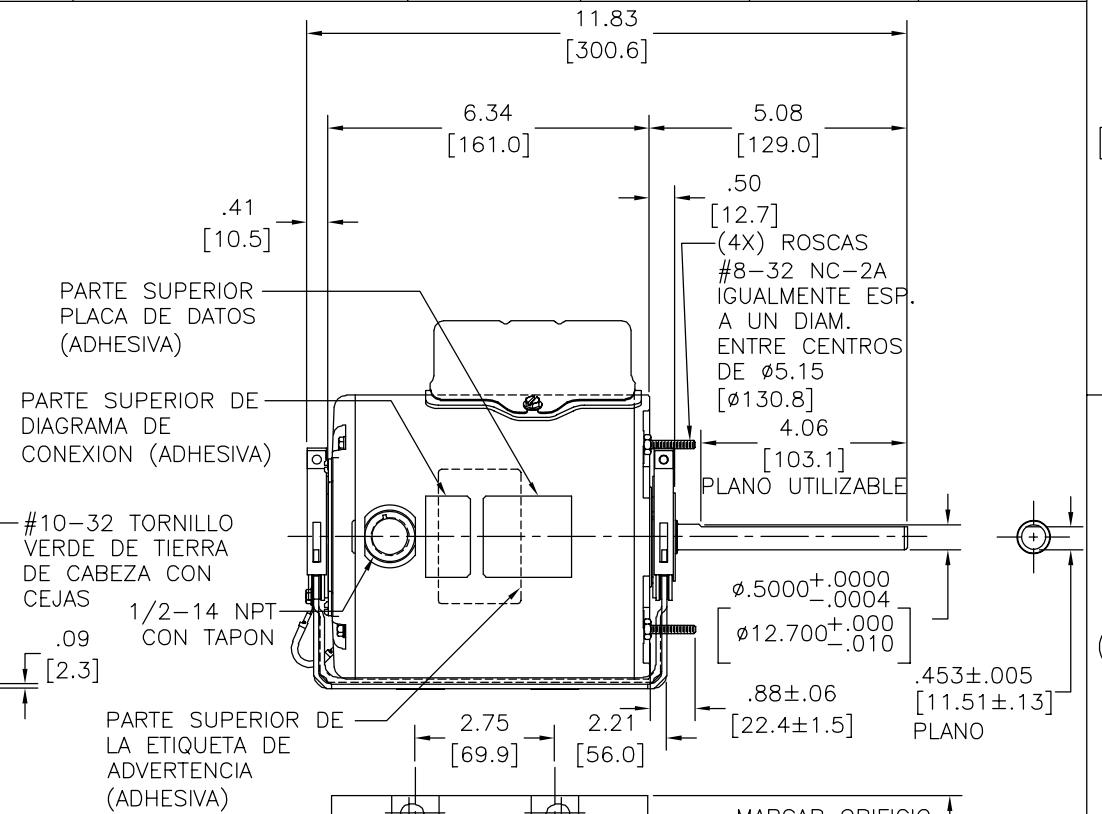
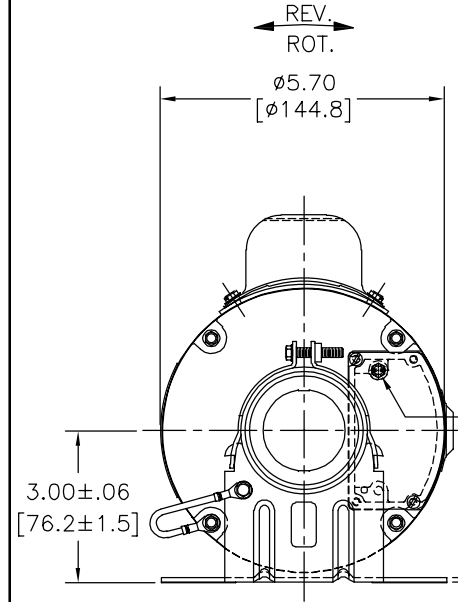
POSICION DEL MONTAJE: TODOS LOS ANGULOS

INFORMACION ELECTRICA:

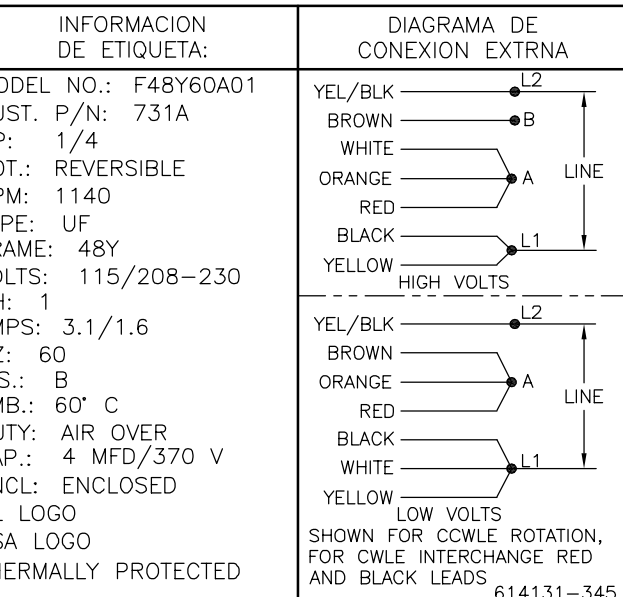
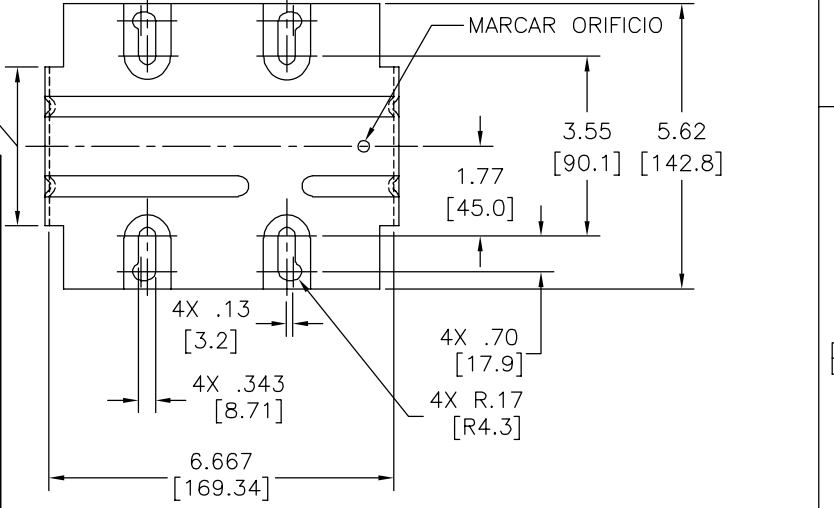
PROTECTOR DE SOBRECARGA: REINICIO AUTOMATIC (T.I. 7AM 036)

CABLES: NO. 18 GA., .03 [.8] THK. XLP 125°C AISLAM.

CABLE DE TIERRA: NO. 18 GA., .03 [.8] THK. (VERDE/AMARILLO) AISLAM.



COLOR	LONGITUD	TERMINAL O LONGITUD DE DESFORRE
VERDE/AMARILLO (TIERRA)	CONECTADO A LA BASE	OJAL #10
ROJO	CONECTADO AL CAPACITOR	.25 [6.4] BANDERA
ROJO	CONECTADO AL CAPACITOR	.25 [6.4] BANDERA
AMARILLO	5.0/7.0 [127/178]	.25 [6.4] BANDERA
NEGRO	5.0/7.0 [127/178]	.25 [6.4] BANDERA
NARANJA	5.0/7.0 [127/178]	.25 [6.4] BANDERA
BLANCO	5.0/7.0 [127/178]	.25 [6.4] BANDERA
ROJO	5.0/7.0 [127/178]	.25 [6.4] BANDERA
CAFE	5.0/7.0 [127/178]	.25 [6.4] BANDERA
AMARILLO/NEGRO	5.0/7.0 [127/178]	.25 [6.4] BANDERA



CURVAS DE FUNCIONAMIENTO	TORSION @ 1140 RPM (25°C)	MUESTRA APROBADA	COMPONENTE UL	CSA
C32633	19.1 OZ. FT.	0601394A	#ARCHIVO PRGY2 LR43341	CLASE # 4211-01

CARCASA - LOC	ENCERRADO
TAPA - LOC	ENCERRADO
CARCASA - LC	ENCERRADO
TAPA - LC	ENCERRADO

CLIENTE	DISTRIBUTION SERVICE
---------	----------------------

CARACTERISTICAS DE GEOMETRIA Y SIMBOLOS
 □ PLANICIDAD
 ⊥ RECTITUD
 ∠ ANGULARIDAD
 ⊥ PERPENDICULARIDAD (A ESCUADRA)
 // PARALELISMO
 ○ REDONDEZ (CIRCULARIDAD)
 ∅ CILINDRICIDAD
 △ PERFIL DE CUALQUIER SUPERFICIE
 ∩ PERFIL DE CUALQUIER LINEA
 ∠ VARIACION
 ⊕ POSICION REAL
 ⊙ CONCENTRICIDAD
 = SIMETRIA
 ASME Y14.5M 1994

REGAL-BELOIT CORPORATION (RBC) PROVEE ASISTENCIA TECNICA A NUESTROS CLIENTES EN VARIAS AREAS. DESDE QUE RBC NO RECIBE TODOS LOS DATOS EN RELACION AL USO Y A LA APLICACION DEL MOTOR, LA APLICACION ADECUADA DEL MOTOR DEBE SER DETERMINADA POR EL CLIENTE.
 DIMENSIONES SIN TOLERANCIA SON DE REFERENCIA SOLAMENTE

DIBUJADO POR: caddie zhou 01-12-2008
 APROBADO POR: SW 04-24-2008
 TERCER ANGULO DE PROYECCION
 CONFIDENCIAL: ESTE DIBUJO Y SU INFORMACION SON PROPIEDAD DE USO EXCLUSIVO Y CONFIDENCIAL DE REGAL-BELOIT CORPORATION. Y NO DEBERAN SER REVELADOS, DUPLICADOS, DISTRIBUIDOS O USARSE DE OTRA MANERA SIN EL CONSENTIMIENTO ESCRITO DE REGAL-BELOIT CORPORATION. -TODOS LOS DERECHOS RESERVADOS.

REGAL-BELOIT CORPORATION
 DESCRIPCION: MODEL-RFHP-48FR OUTLINE
 TAMAÑO: C NUMERO DE DIBUJO: 731A
 ESCALA: NONE HOJA: 1

4

3

2

1

4

3

2

1

总技术要求:

轴跳动: .001[.03]/1[25.4]外伸轴

轴承: 球轴承

安装位置: 全方位

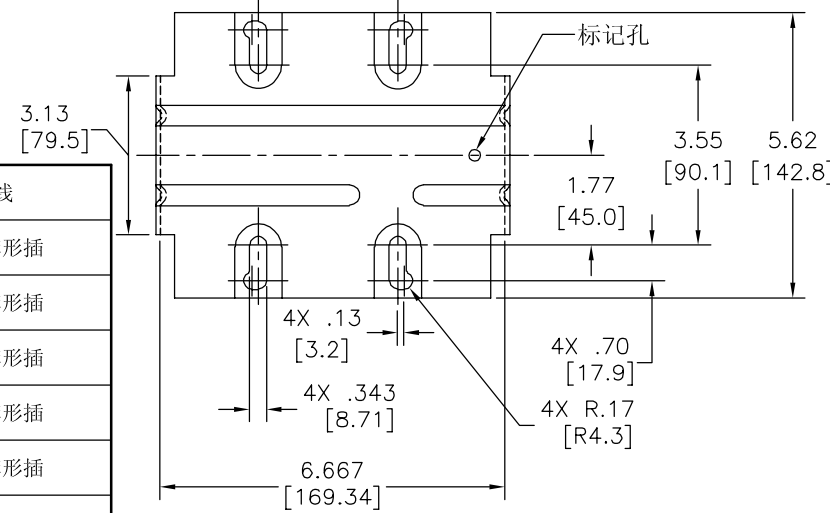
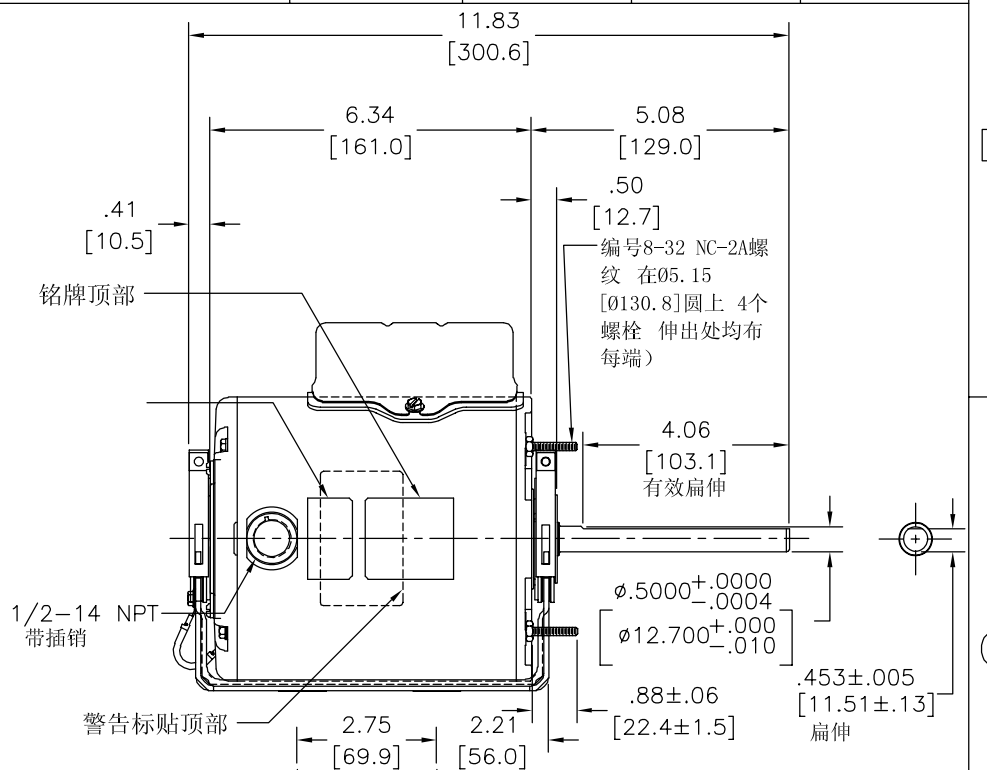
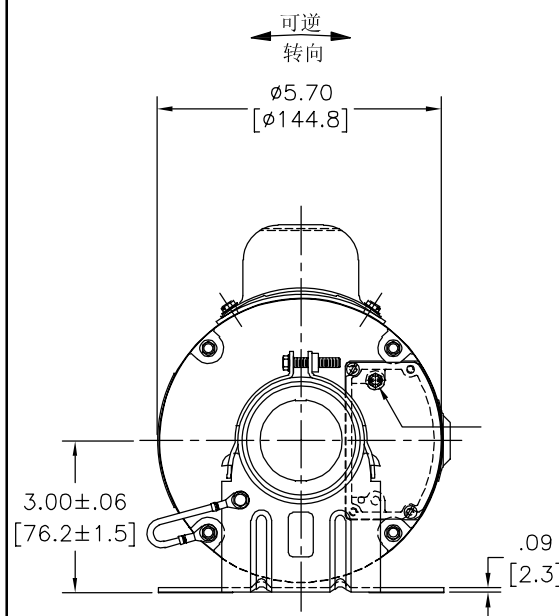
电气数据:

过载保护: 自动复位 (T.I. 7AM 036)

引线: 18# (美制标准), 厚.03[.8] XLP 125° C 绝缘

接地线: 18# (美制标准), 厚.03[0.8]绿色绝缘

版本	ECO	编制	日期	批准	日期
H	0025527	J.AGUILERA	04-24-2012	R.RASCON	04-24-2012



颜色	长度	端子或剥线长度
绿色 (接地线)		#10 带环线
红		.25 [6.4] 旗形插
红		.25 [6.4] 旗形插
蓝	5.0/7.0 [127/178]	.25 [6.4] 旗形插
黑	5.0/7.0 [127/178]	.25 [6.4] 旗形插
棕	5.0/7.0 [127/178]	.25 [6.4] 旗形插
白	5.0/7.0 [127/178]	.25 [6.4] 旗形插
红	5.0/7.0 [127/178]	.25 [6.4] 旗形插
棕	5.0/7.0 [127/178]	.25 [6.4] 旗形插
蓝/黑	5.0/7.0 [127/178]	.25 [6.4] 旗形插

无引线端机壳	密封
无引线端端盖	密封
有引线端机壳	密封
有引线端端盖	密封

用户	DISTRIBUTION SERVICE
----	----------------------

铭牌数据	外部数据线
MODEL NO.: F48Y60A01 CUST. P/N: 731A HP: 1/4 ROT.: REVERSIBLE RPM: 1140 TYPE: UF FRAME: 48Y VOLTS: 115/208-230 PH: 1 AMPS: 3.1/1.6 HZ: 60 INS.: B AMB.: 60° C DUTY: AIR OVER CAP.: 4 MFD/370 V ENCL: ENCLOSED UL LOGO CSA LOGO THERMALLY PROTECTED	<p>YEL/BLK L2 BROWN B WHITE ORANGE A RED BLACK L1 YELLOW HIGH VOLTS</p> <p>YEL/BLK L2 BROWN ORANGE A RED BLACK L1 WHITE YELLOW LOW VOLTS</p> <p>SHOWN FOR CCWLE ROTATION, FOR CWLE INTERCHANGE RED AND BLACK LEADS</p>

性能曲线编号	转矩在 @ 1140 RPM (25° C)	批准样品	UL部件	CSA
C32633	19.1 OZ. FT.	0601394A	文件号 指南	文件号 指南
		E46412 PRGY2	LR4-3341	4211-01

- 形位公差
- 平面度
- 直线度
- ∠ 倾斜度
- ⊥ 垂直度
- // 平行度
- 圆度
- ⊘ 圆柱度
- ⊖ 面轮廓度
- ⊖ 线轮廓度
- ↗ 圆跳动
- ⊕ 位置度
- ⊙ 同轴度
- ≡ 对称度

ASME Y14.5M 1994

REGAL-BELOIT CORPORATION (RBC) 在个别领域为客户 提供技术支持。鉴于RBC 未收到任何涉及电机使用和 应用环境的数据, 电机的适用性 由客户自己决定。

未注公差尺寸仅供参考。

绘图:	caddie zhou	01-12-2008
批准:	SW	04-24-2008
第三角投影		图纸格式发布日期 11-11-2011 图纸格式版本 G
机密: 本图纸及相关信息所有权归REGAL-BELOIT CORPORATION。 未经REGAL-BELOIT CORPORATION书面授权, 不得泄露、 复制、传播或作其他用途。—版权所有		

名称	MODEL-RFHP-48FR OUTLINE
图幅	C
图号	731A
比例	NONE
页号	1

4

3

2

1