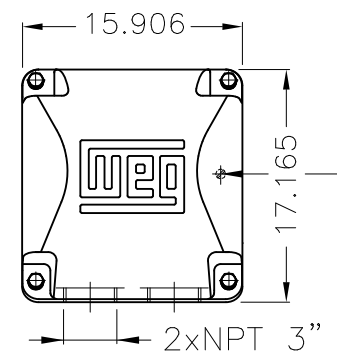
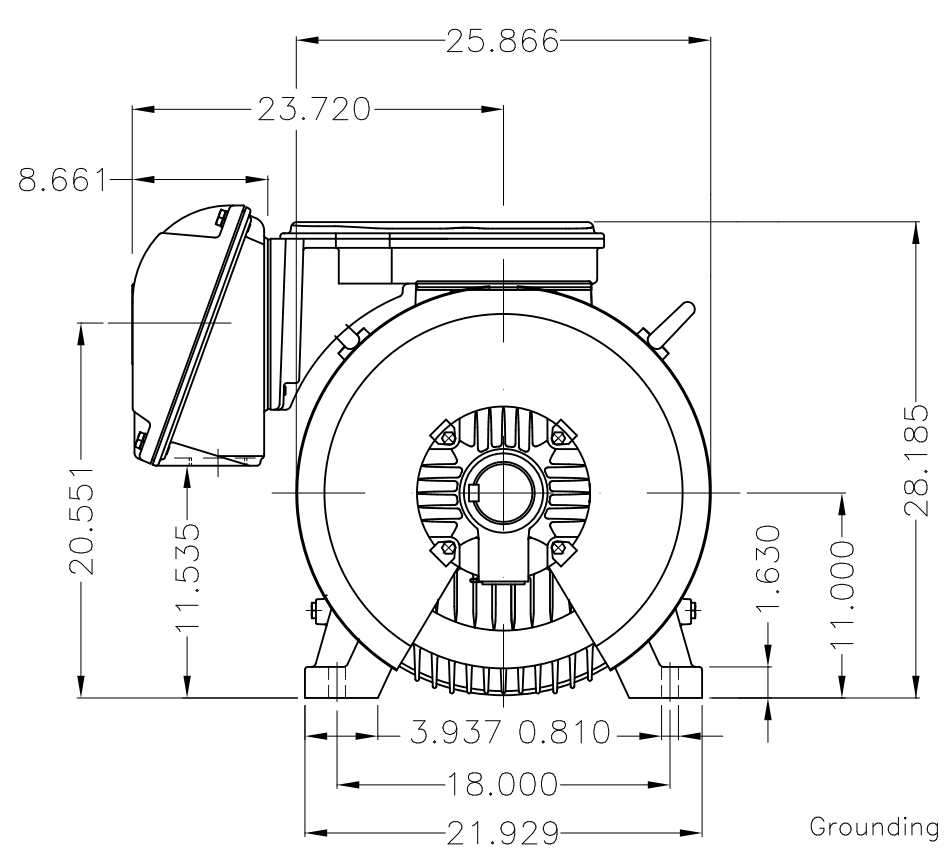


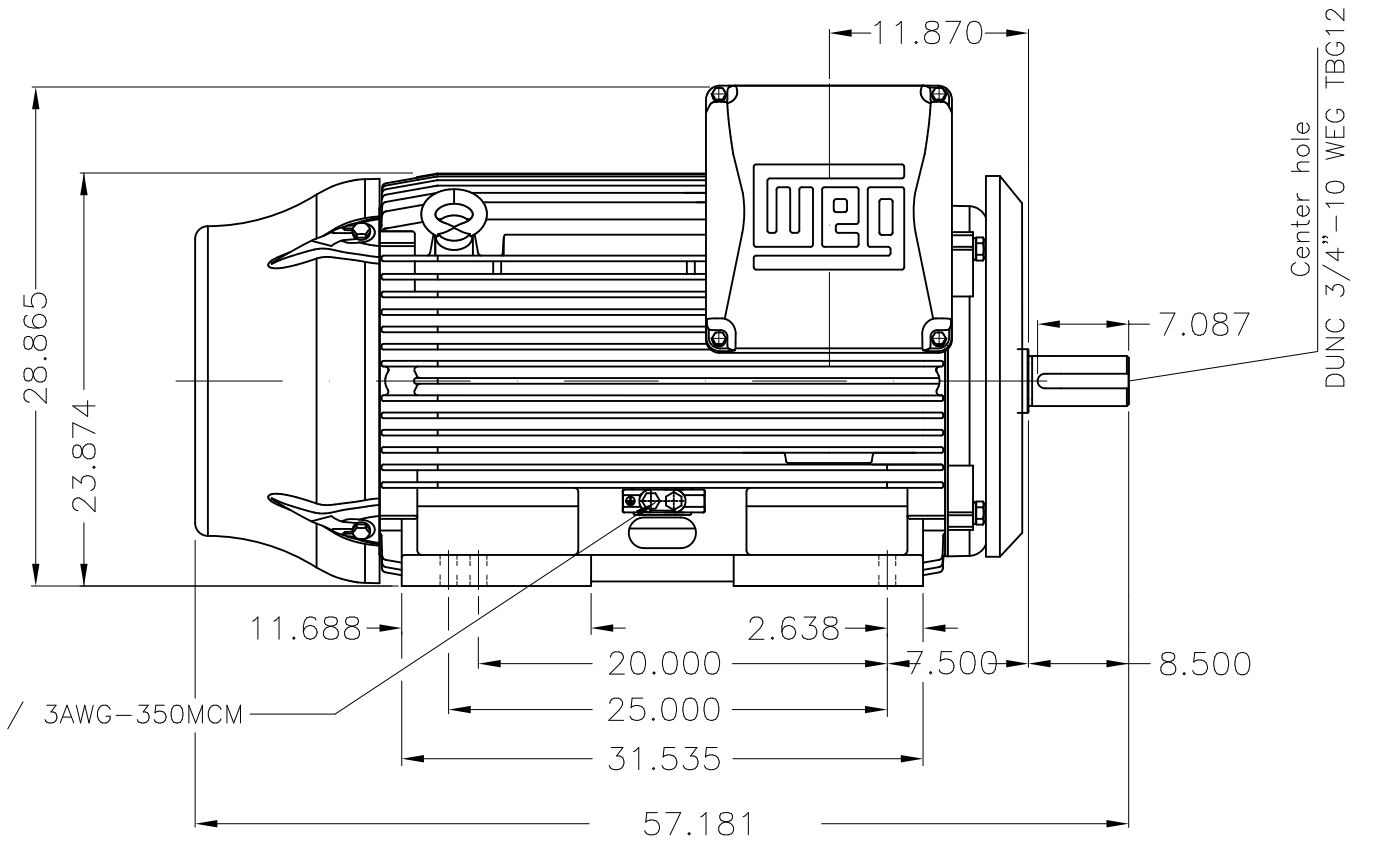
Dimensões em polegada
Dimensions in inches

THIS IS AN UPDATED REVISION, THE
PREVIOUS ONE MUST BE DISREGARDED.



Main terminal box

Grounding for leads 35-70 mm² / 1-2/0 AWG



Center hole
DUNC 3/4"-10 WEG TBG12

Grounding for leads 25-185 mm² / 3AWG-350MCM



DE Shaft End

NDE endshield with electrically insulated bearing hub
Drive-End Air Deflector
Color RAL 5009
Painting plan 203A
Mounting B3R(D)

ECM	LOC	SUMMARY OF MODIFICATIONS		EXECUTED	CHECKED	RELEASED	DATE	VER
EXECUTED	USERADMIN		THREE PHASE W22 MOTOR - NEMA PREMIUM EFF					
CHECKED			FRAME L447/9T IP55 TEFC					
RELEASED			WEG code: 12752064					
REL DT	24.07.2017	WMO	Jaragua do Sul	Product Engineering	SHEET	1 / 1		

400 HP 06 Poles 60Hz