

4

3

2

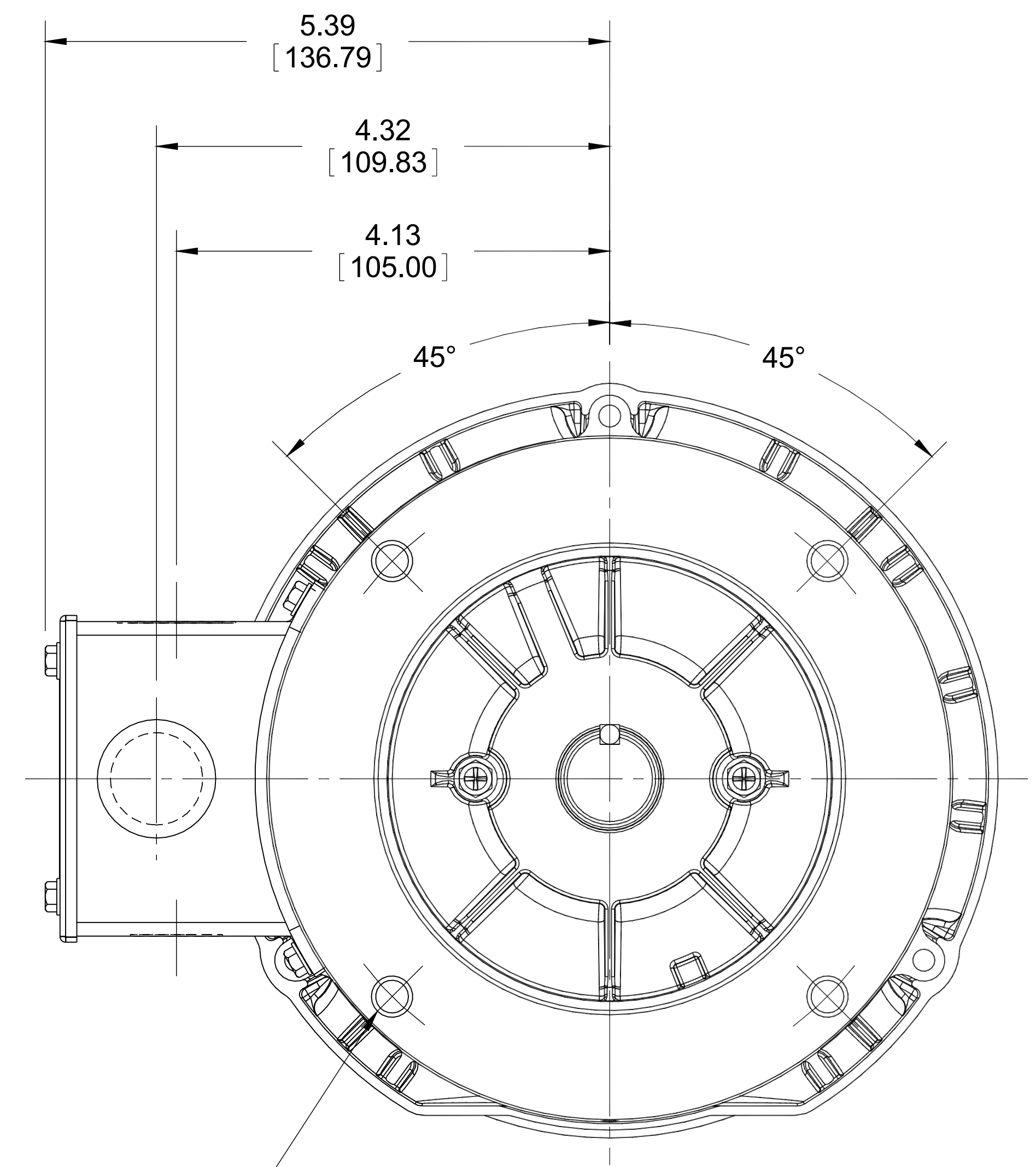
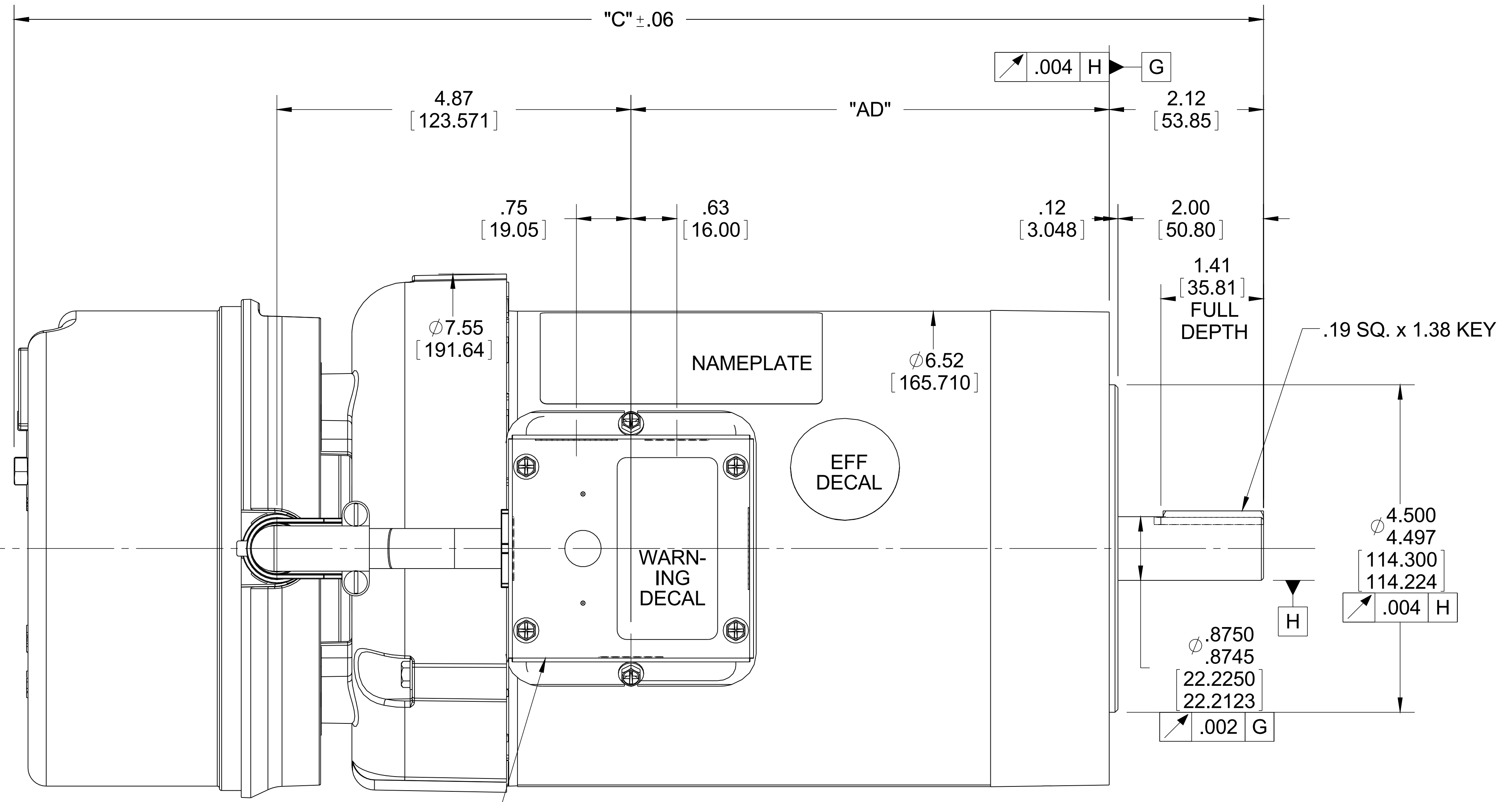
1

B

B

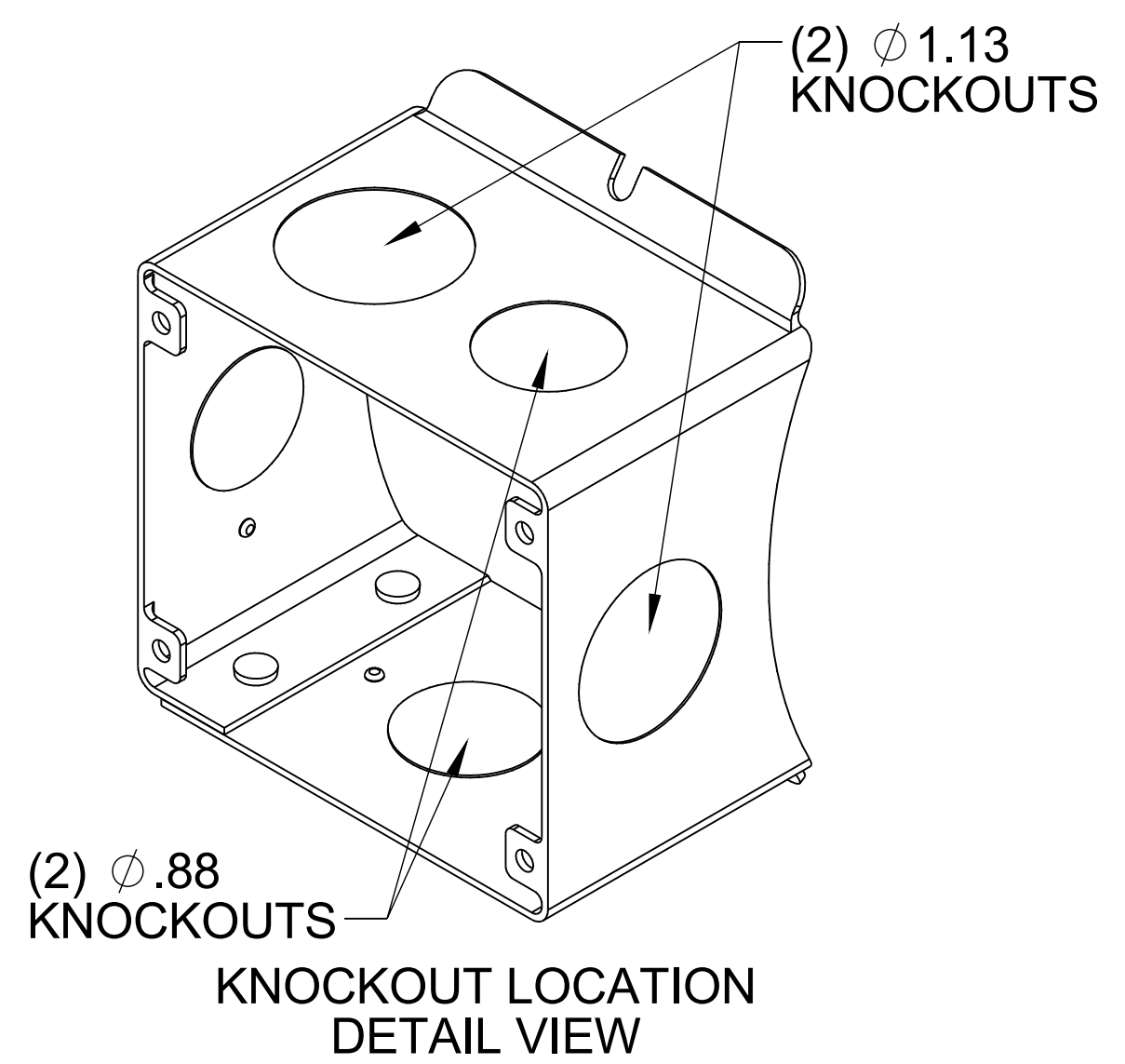
A

A



CONNECTION DECAL UNDER COVER WHEN REQUIRED

(4) 3/8-16 UNC-2B x .56 DEEP ON A Ø5.875 B.C.



NOTE:
1) GASKETS THROUGHOUT

DRAWING REVISION C	REVISION BY CHRIS FISHER	DATE 11/11/2015
ECO ECO-0088678	APPROVED BY	DATE
ECO DESCRIPTION ADDED ITEMS #750 & 800		
<small>COPYRIGHT REGAL BELOIT AMERICA, INC. ALL RIGHTS RESERVED. PROPRIETARY AND CONFIDENTIAL INFORMATION - THIS DOCUMENT IS THE PROPERTY OF REGAL BELOIT AMERICA, INC. ("OWNER") AND CONTAINS OWNER'S PROPRIETARY INFORMATION. ANY PERSON, CORPORATION OR OTHER FIRM RECEIVING IT IS DEEMED, BY RECEIVING IT, TO AGREE THAT IT, AND/OR ANY PART OF IT, SHALL NOT BE DISCLOSED TO ANY PERSON, CORPORATION OR OTHER ENTITY, DUPLICATED, AND/OR USED, EXCEPT AS EXPRESSLY APPROVED IN WRITING IN ADVANCE BY OWNER. THIS DOCUMENT SHALL BE RETURNED TO OWNER UPON REQUEST. IT MAY BE SUBJECT TO CERTAIN RESTRICTIONS UNDER APPLICABLE EXPORT CONTROL LAWS AND REGULATIONS.</small>		

TOLERANCES UNLESS OTHERWISE SPECIFIED:		
DEC.	INCH	mm
.X	±0.1	[±2.5]
.XX	±0.01	[±0.25]
.XXX	±0.005	[±0.127]
.XXXX	±0.0005	[±0.0127]
REMOVE BURRS & BREAK SHARP EDGES: .003/.015 [0.076/.381] X 45°		
CORNER FILLETS: R.02 [0.51]		
MACHINED SURFACES: 125 3.2 INCH mm		
mm SHOWN IN [BRACKETS]		

DRAWN BY GRB 07/03/2008
DATE
APPROVED BY
DATE
REFERENCE
THIRD ANGLE PROJECTION

REGAL ™ Regal Beloit America, Inc.	
DESCRIPTION	OUTLINE TEFC - "C" FACE - BRAKEMOTOR
MATERIAL	PROCESS/FINISH
SIZE B	DRAWING NUMBER 028845
SHEET 1 OF 1	

DASH NO	"C"	"AD"
500	15.66	5.07
550	16.16	5.57
600	16.66	6.07
650	17.16	6.57
700	17.66	7.07
750	18.16	7.57
800	18.66	8.07

4

3

2

1