

DATE
JUNE 17, 2011
CATALOG NO.
HB0208

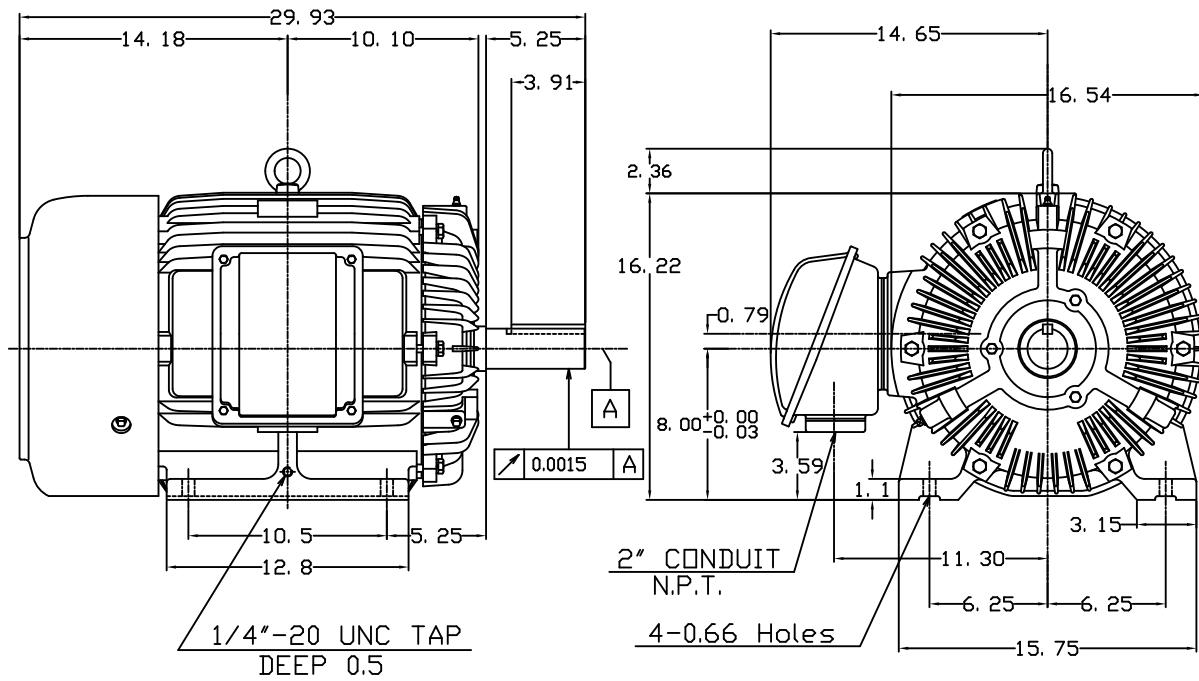
OUTLINE DIMENSIONS
3-PHASE INDUCTION MOTOR

MOTOR TYPE:
AEHH8B
FRAME NO. 324T

| Pole | HP | KW | Hz | VOLT | Syn.Speed RPM |
|------|----|------|----|------|------------------|
| 8 | 20 | 14.9 | 60 | 460 | 900 |

| Ins | Rating | Dimension in | Approx Weight | Bearings |
|-----|--------|--------------|---------------|----------------------------|
| F | CONT. | inches | 638 lbs. | DE:6312ZC35C NDE:6212ZC35C |

Totally Enclosed Fan-Cooled Type, Squirrel-Cage Rotor.



① 03.16.00 J.C.LIN

| | | |
|-------|-----------|----------|
| DWN. | J.H.LIANG | 11-30-98 |
| CHKD. | C.H.KAO | 12-26-98 |
| APPD. | Y.B.HUANG | 12-26-98 |



DWG NO.
31057HB208022