

No reproduction of this drawing is allowed without written permission of WEG Motores

EIXO	
PADRÃO	
OPCIONAL	
ESPECIAL	X

Dimensões em polegada
Dimensions in inches

THIS IS AN UPDATED REVISION, THE PREVIOUS ONE MUST BE DISREGARDED.

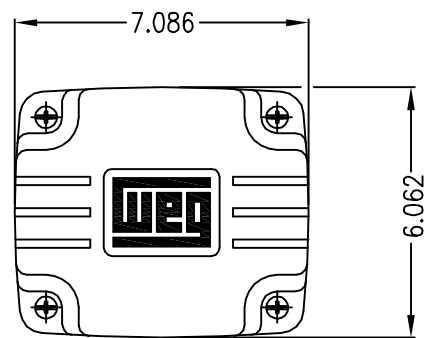
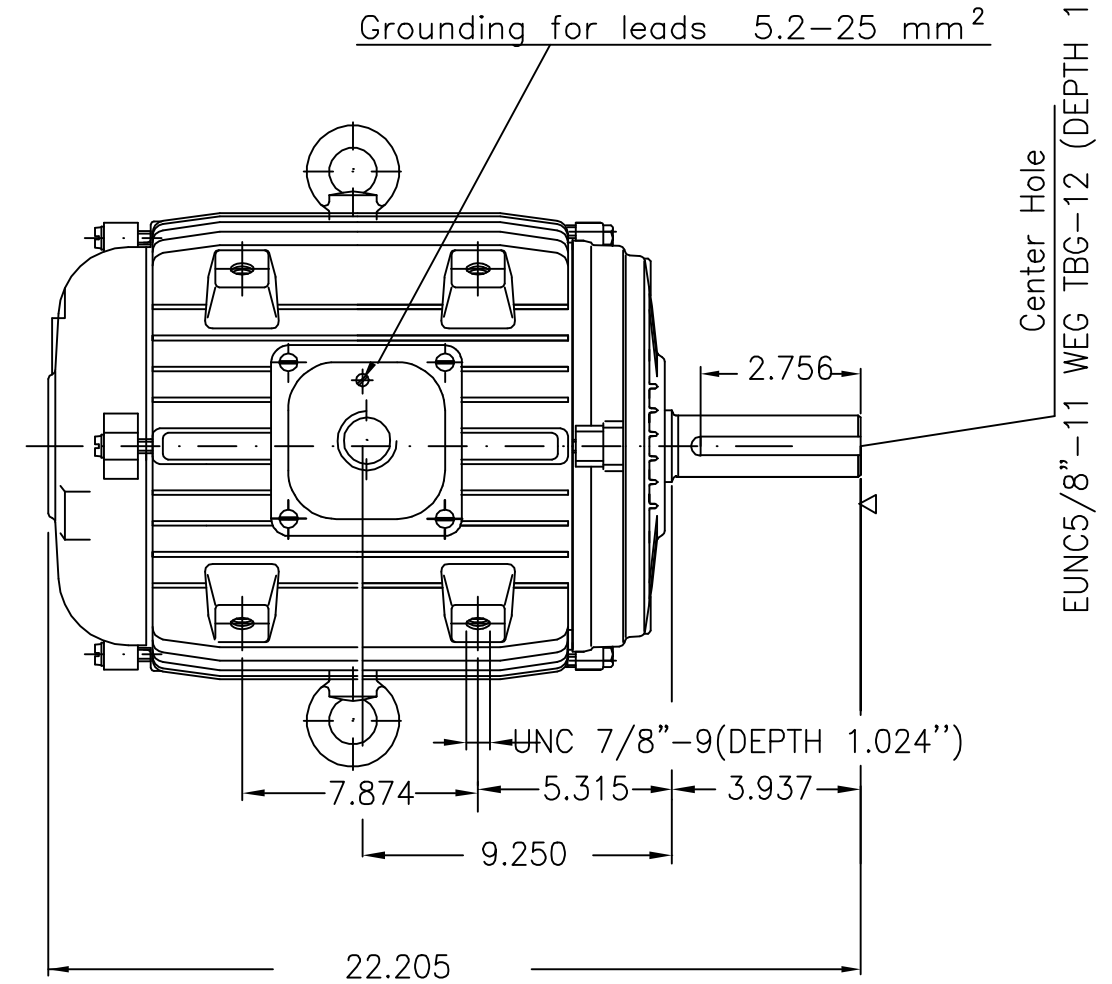
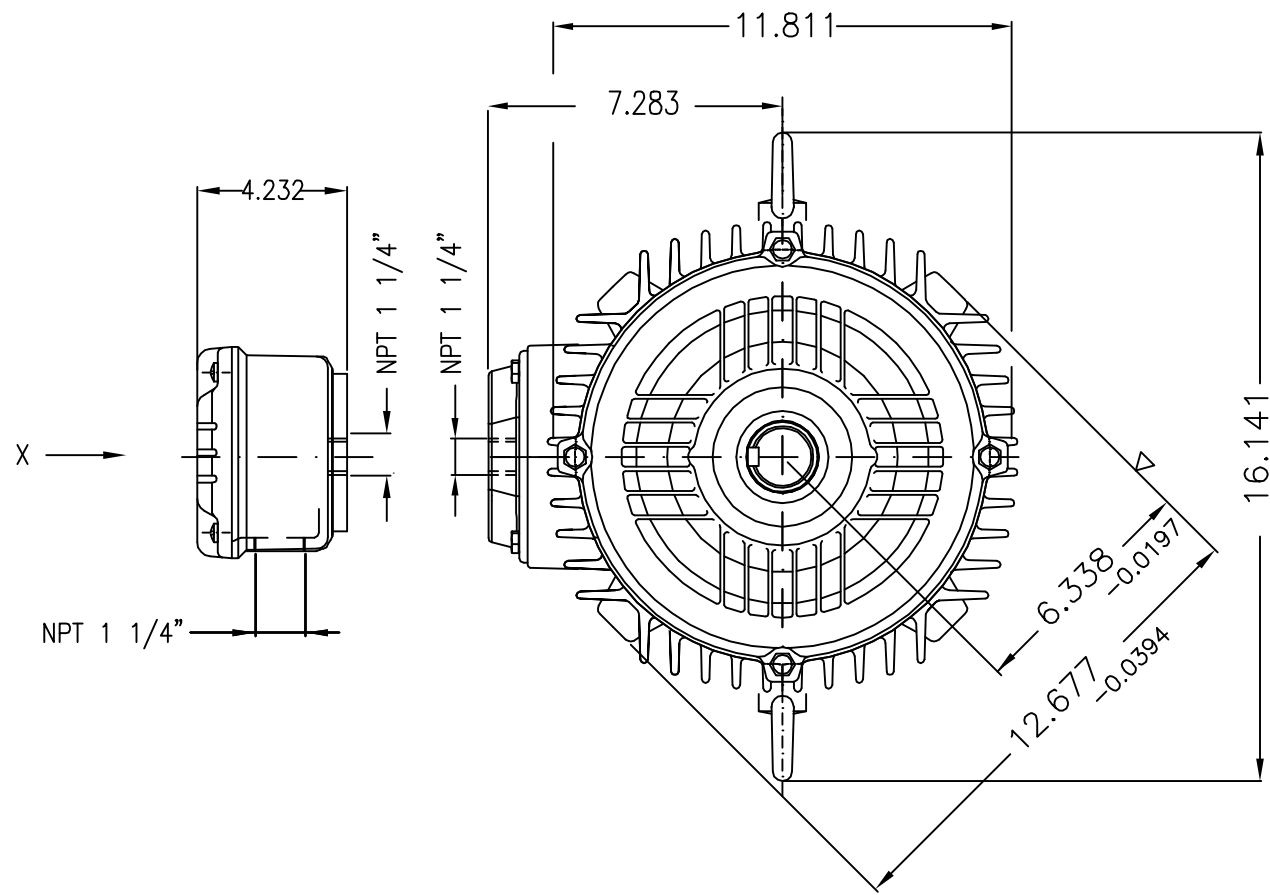
A

B

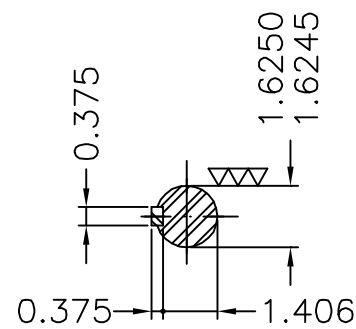
C

D

E



VISTA X



AF PART # BM2020B

Isolamento Classe F (Dt=80K) / Class F insulation - 80K temperature rise					
Comprimento dos cabos de ligação 1000+50mm a partir da base / Connection leads 1000+50mm length from base					
Ilhó na passagem dos cabos / Rubber ring at the leads exit on frame					
Caixa de ligação (NPT1 1/4") avulsa na mesma embalagem / Loose terminal box (NPT1 1/4") on the same motor package					
Placa de identificação extra e com o mesmo numero de serie / Extra nameplate wired to lifting eye and with the same serial number					
Categoria B / Design B					
Fator de serviço 1.25 / Service factor 1.25					
Forma construtiva B30D / Mounting B30R(D)					

AMERICAN FAN

500000354072	ALT. CONFORME CLAIM 404865460	ISRAELM	ANDERSONLB	25.08.2010	11			
885578		ALISSON	JULIOH	12.09.2007	10			
MODIF. NUMBER	LOC	SUMMARY OF MODIFICATIONS		EXECUTED	CHECKED	RELEASED	DATE	VER
EXECUTED	FLAVIOT	THREE PHASE EXHAUSTING NEMA PREMIUM EFF. FRAME 256Y IP55 TEAO	E4009105					
CHECKED			000 11					
RELEASED	ADRIANAP		FOL/SHEET 01 / 01					
REL. DATE	22.08.2008	WMO	JARAGUÁ DO SUL	ENGENHARIA DE PRODUTO				

10 HP 6 POLE 60HZ	D
15 HP 4 POLE 60Hz	C
20 HP 4 POLE 60Hz	B
20 HP 2 POLE 60hz X3836.03.08 MEC F.D.-12427/2003	A

UNCONTROLLED COPY

RELEASED

ZME-A3