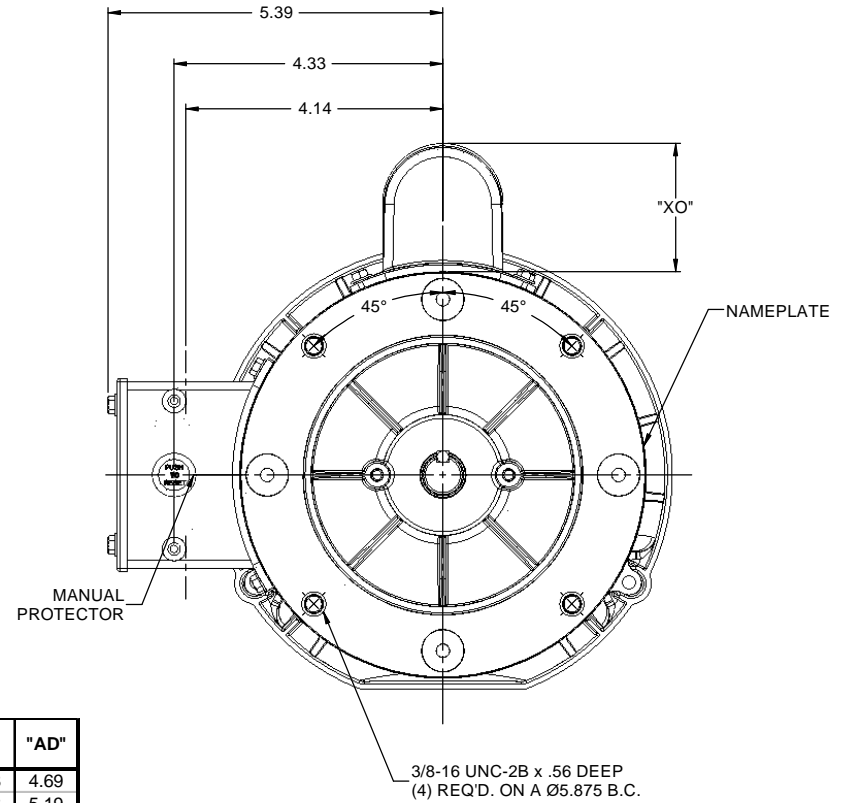
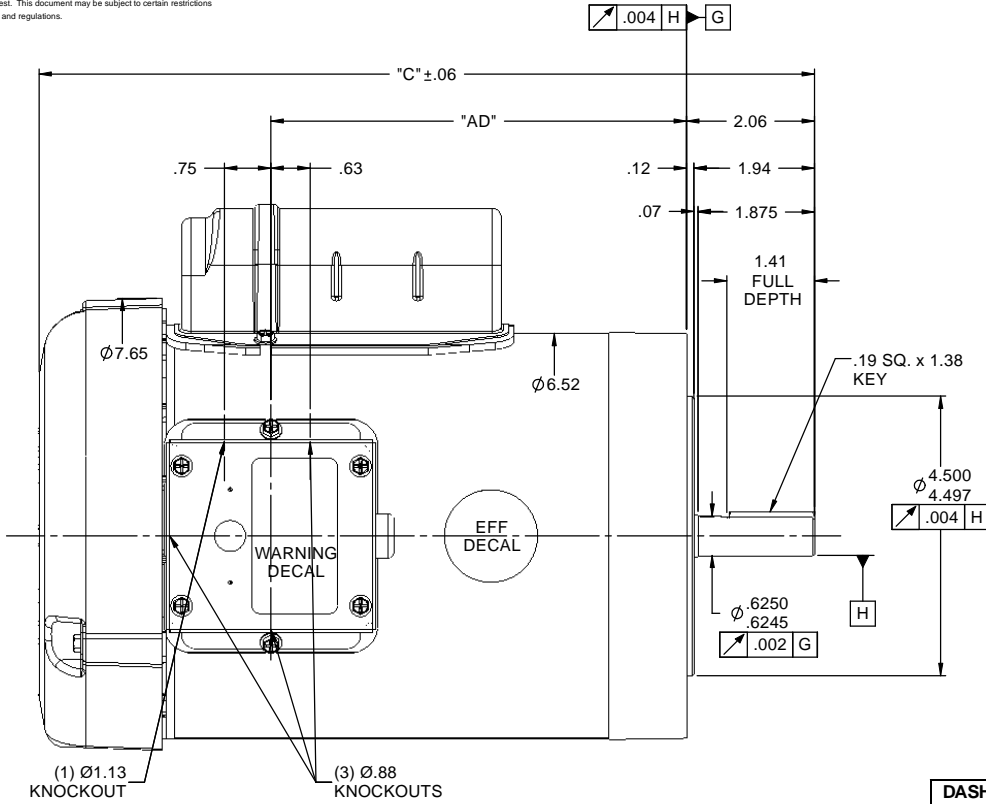


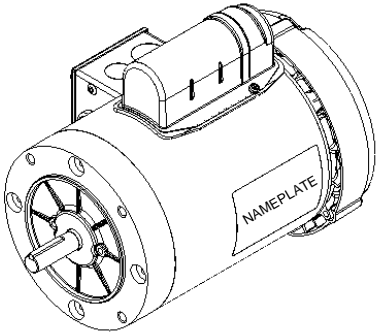
RBC PROPRIETARY AND CONFIDENTIAL INFORMATION
 This document is the property of REGAL BELOIT CORPORATION ("RBC") including its subsidiaries and divisions and contains proprietary information of RBC. This document is loaned on the express condition that neither it nor the information contained therein shall be disclosed to others without the express written consent of RBC, and that the information shall be used by the recipient only as approved expressly by RBC. This document shall be returned to RBC upon its request. This document may be subject to certain restrictions under U.S. export control laws and regulations.



DASH NO.	"C"	"AD"
500	10.48	4.69
550	10.98	5.19
600	11.48	5.69
650	11.98	6.19
700	12.48	6.69
750	12.98	7.19
800	13.48	7.69
850	13.98	8.19

CAP DASH	"XO"
A	1.61
B	2.08
C	2.32

NOTES:
 1) GASKETS THROUGHOUT



		TOLERANCES UNLESS SPECIFIED		LEESON ELECTRIC MOTORS GEARMOTORS AND DRIVES		DRAWN GRB 08/29/2008	
		DEC INCHES				CHK RVD 08/29/2008	
		X ±.1		TITLE OUTLINE - 56C FRAME TEFC - 'C' FACE		APPR	
		XX ±.03				SCALE 1:2	
		XXX ±.005				REF 028854	
REDRAWN IN SOLID WORKS		XXXX ±.0005		MATL		FMF	
NO	REVISION	BY & DATE	CHK	ANG ±1/2°	FINISH	PAGE OF	
	THIRD ANGLE PROJECTION		RFP	08/29/2008	PREV	SIZE B	DRAWING NO 028875
		NETWORK FILE NAME				REV	