

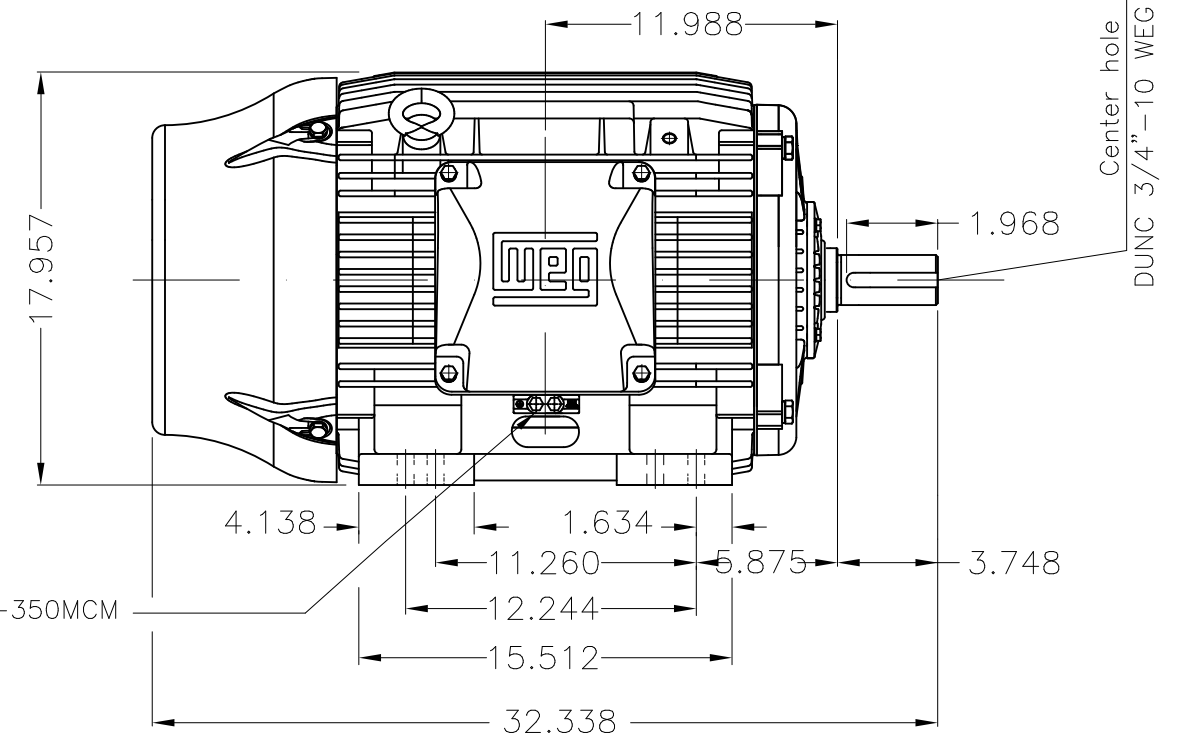
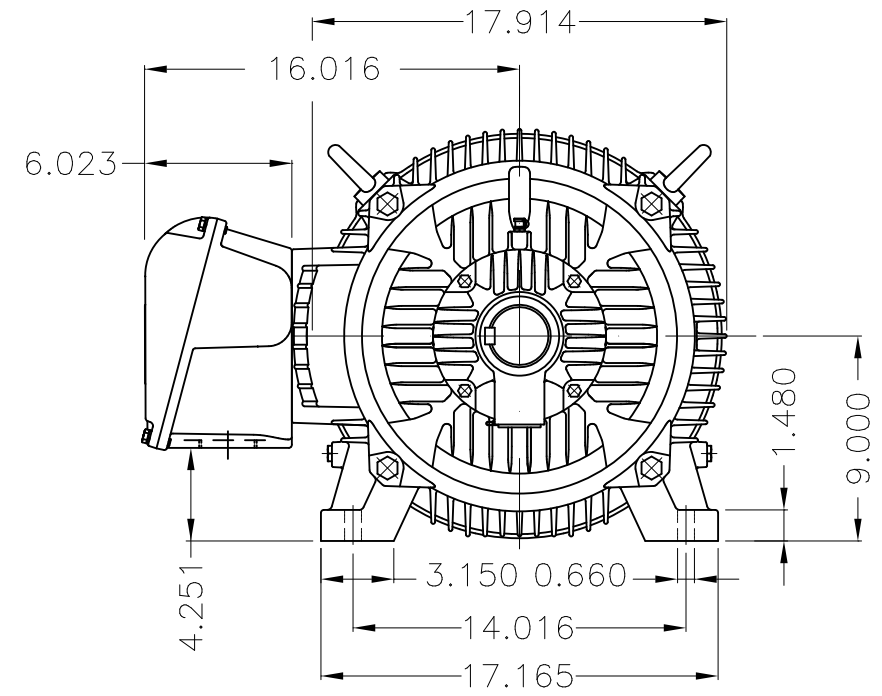
Dimensões em polegada
Dimensions in inches

THIS IS AN UPDATED REVISION, THE
PREVIOUS ONE MUST BE DISREGARDED.



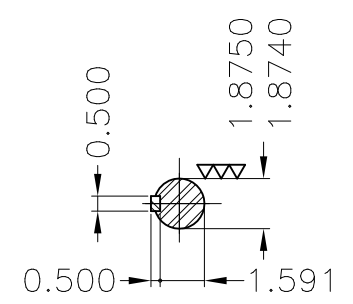
Grounding for leads 25–50 mm² / 3–1 AWG

Main terminal box



Center hole
DUNC 3/4"–10 WEG TBG12

Grounding for leads 25–185 mm² / 3AWG–350MCM



DE Shaft End

Color RAL 5009
Painting plan 203A
Mounting B3R(D)

ECM	LOC	SUMMARY OF MODIFICATIONS		EXECUTED	CHECKED	RELEASED	DATE	VER
EXECUTED	USERADMIN		THREE PHASE W22 MOTOR - NEMA PREMIUM EFF					
CHECKED			FRAME 364/5TS IP55 TEFC					
RELEASED			WEG code: 11165995					
REL DT	24.07.2017	WMO	Jaragua do Sul	Product Engineering	SHEET	1 / 1		

60 HP 02 Poles 60Hz

A



ZME A3