

DATE
DEC. 16, 2010
CAT. #: NP0606

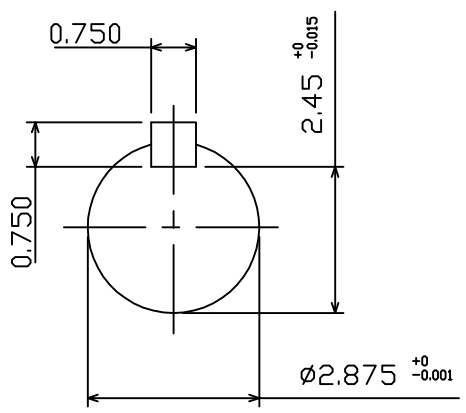
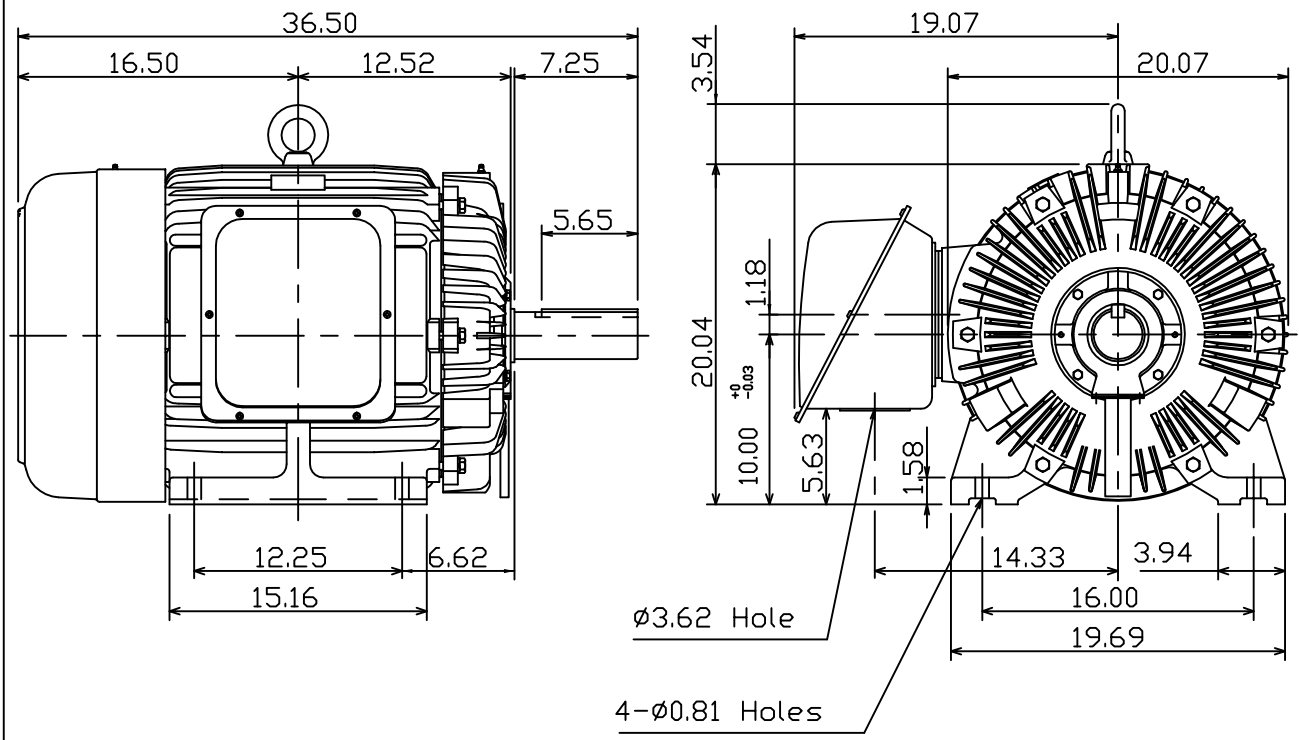
OUTLINE DIMENSIONS
3-PHASE INDUCTION MOTOR

MOTOR TYPE:
AEHH8P
FRAME NO. 404T

| | | | | | |
|------|----|----|----|---------|-------------------------|
| Pole | HP | kW | Hz | VOLT | Syn.Speed r/min(rpm) |
| 6 | 60 | 45 | 60 | 230/460 | 1200 |

| | | | | | |
|-----|--------|--------------|---------------|----------|-----------|
| Ins | Rating | Dimension in | Approx Weight | Bearings | |
| F | CONT. | inch | 1137 lbs. | DE: 6317 | NDE: 6313 |

Totally Enclosed Fan Cooled Type.Squirrel-cage Rotor.



12.06.10 郭耿良

| | |
|-----------------|----------|
| DWN, J.H.LIANG | 05-20-99 |
| CHKD, C.H.KAD | 06-11-99 |
| APPD, Y.B.HUANG | 06-11-99 |



DWG NO.
31049M240161