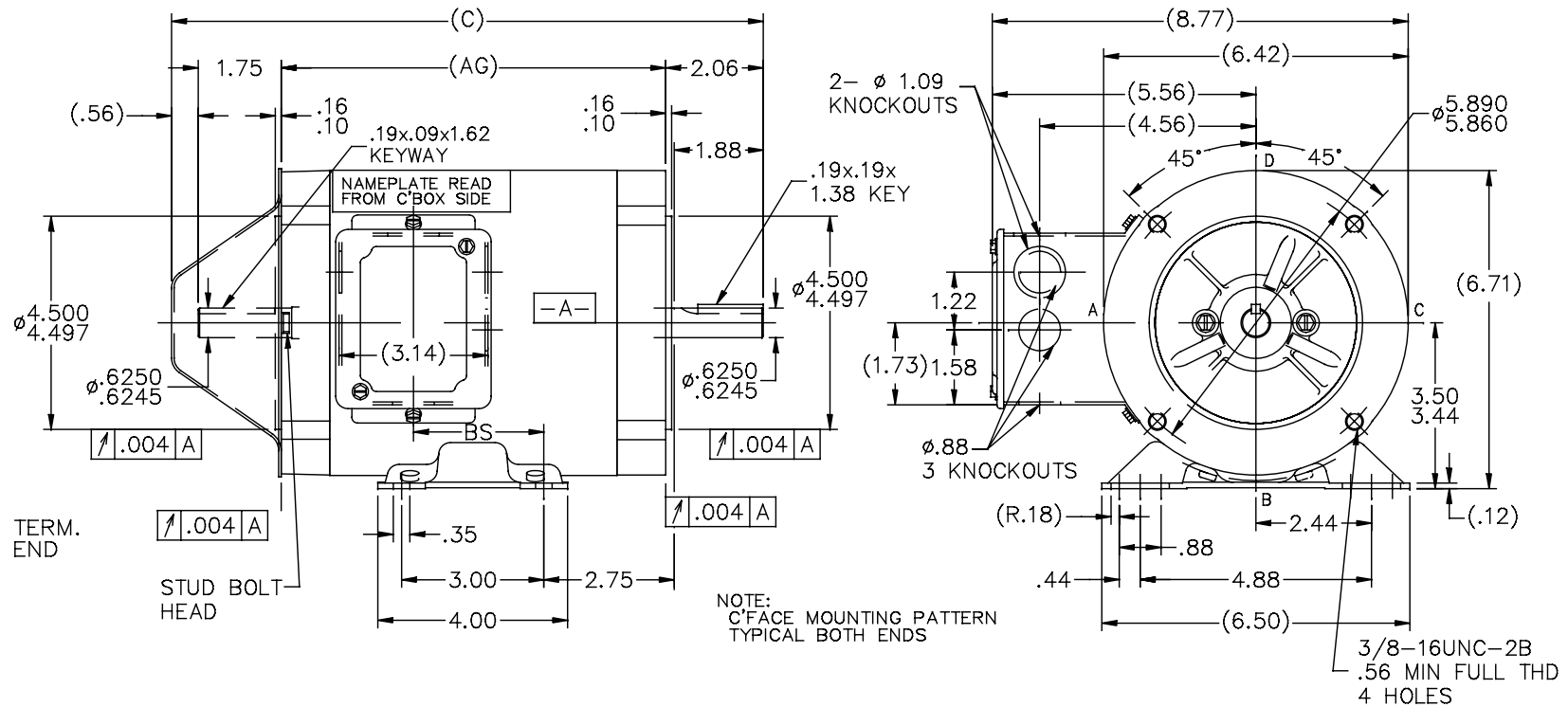


104043



DASH	FR.	C	AG	BS	DASH	FR.	C	AG	BS
606	56-60	12.48	8.11	2.75	756	56-75	13.98	9.61	4.25
656	56-65	12.98	8.61	3.25	806	56-80	14.48	10.11	4.75
706	56-70	13.48	9.11	3.75	856	56-85	14.98	10.61	5.25

NOTES:
 1- REMOVABLE BASE
 2- CONDUIT BOX CAN BE ROTATED 180°

NO.		REVISION		BY & DATE		CHK		ANG		FINISH		PREV									
6	CHANGED LOGO FROM MARATHON TO REGAL		SAJ 08/28/15		AB	DEC.	INCHES		TOLERANCES UNLESS SPECIFIED		DRAWN CEB 08-16-1995										
5	REDRAWN IN AUTOCAD		TAT 07-06-2004		ML	.X	$\pm .1$		REGAL™ Regal Beloit America, Inc.		CHK DA 08-18-1995										
4	ADDED KEYWAY TO FRONT EXT.		CN 27200-169 CAV 02-21-2000			.XX	$\pm .03$		TITLE OUTLINE		APPD EAB 08-21-1995										
3	REMOVED KEYWAY FROM FRONT EXT.		CN 27400-442 CAV 10-08-1999			.XXX	$\pm .005$		56 FR. - TENV - BB - DBL. C' FACE		SCALE 5=16										
2	REV. BLACK MAX 56 FR. -706 WAS -856 CN27400-264		BLR 07-14-1999			.XXXX	$\pm .0005$		MAT'L.		REF										
THIS DRAWING IN DESIGN AND DETAIL IS OUR PROPERTY AND MUST NOT BE USED EXCEPT IN CONNECTION WITH OUR WORK ALL RIGHTS OF DESIGN AND INVENTION ARE RESERVED THIS IS AN ELECTRONICALLY GENERATED DOCUMENT - DO NOT SCALE THIS PRINT										RFP		CAD FILE 104043		SIZE A		DRAWING NO. 104043		PAGE OF 6		REV. 6	