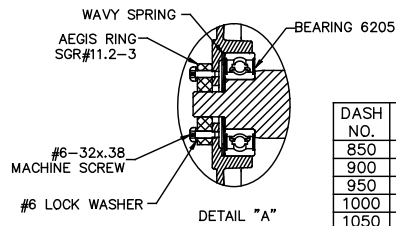
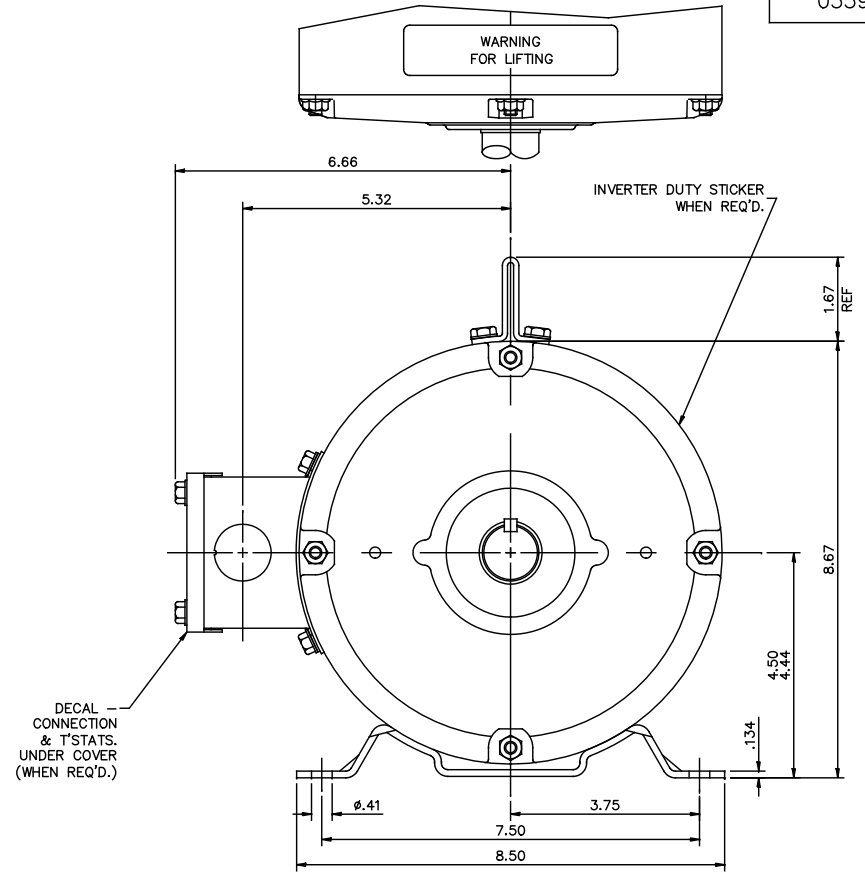
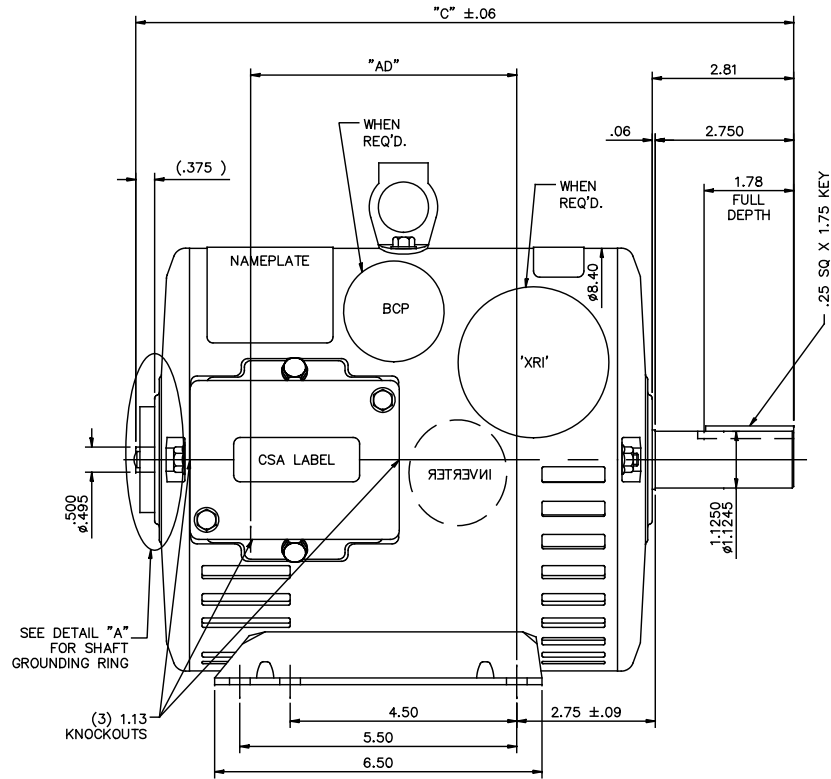


035988



GASKETS THROUGHOUT

DASH NO.	"C"	"AD"
850	13.06	5.25
900	13.56	5.75
950	14.06	6.25
1000	14.56	6.75
1050	15.06	7.25
1100	15.56	7.75
1150	16.06	8.25
1200	16.56	8.75

				TOLERANCES UNLESS SPECIFIED		DRAWN PVR 05/29/13	
				DEC.	INCHES	CHK JD 05/29/13	
				.X	±.1	APPD	
				.XX	±.03	SCALE 1=2	
				.XXX	±.005	REF 0L132315	
A	ADDED DASH # 1200	AS	01/11/17	SR	.XXXX ±.0005	FMF 182TDW16063	
NO.	REVISION	BY & DATE		CHK	ANG ±1/2"	PREV	
THIS DRAWING IN DESIGN AND DETAIL IS OUR PROPERTY AND MUST NOT BE USED EXCEPT IN CONNECTION WITH OUR WORK. ALL RIGHTS OF DESIGN AND INVENTION ARE RESERVED. THIS IS AN ELECTRONICALLY GENERATED DOCUMENT - DO NOT SCALE THIS PRINT				RFP		DRAWING NO.	
				DIST		SIZE B	REV. A
				CAD FILE 035988		DRAWING NO. 035988	
				TITLE OUTLINE - 180T FRAME DRIP PROOF - RIGID - SGR ODE		DRAWN PVR 05/29/13	
				REGAL™ Regal Beloit America, Inc.		CHK JD 05/29/13	