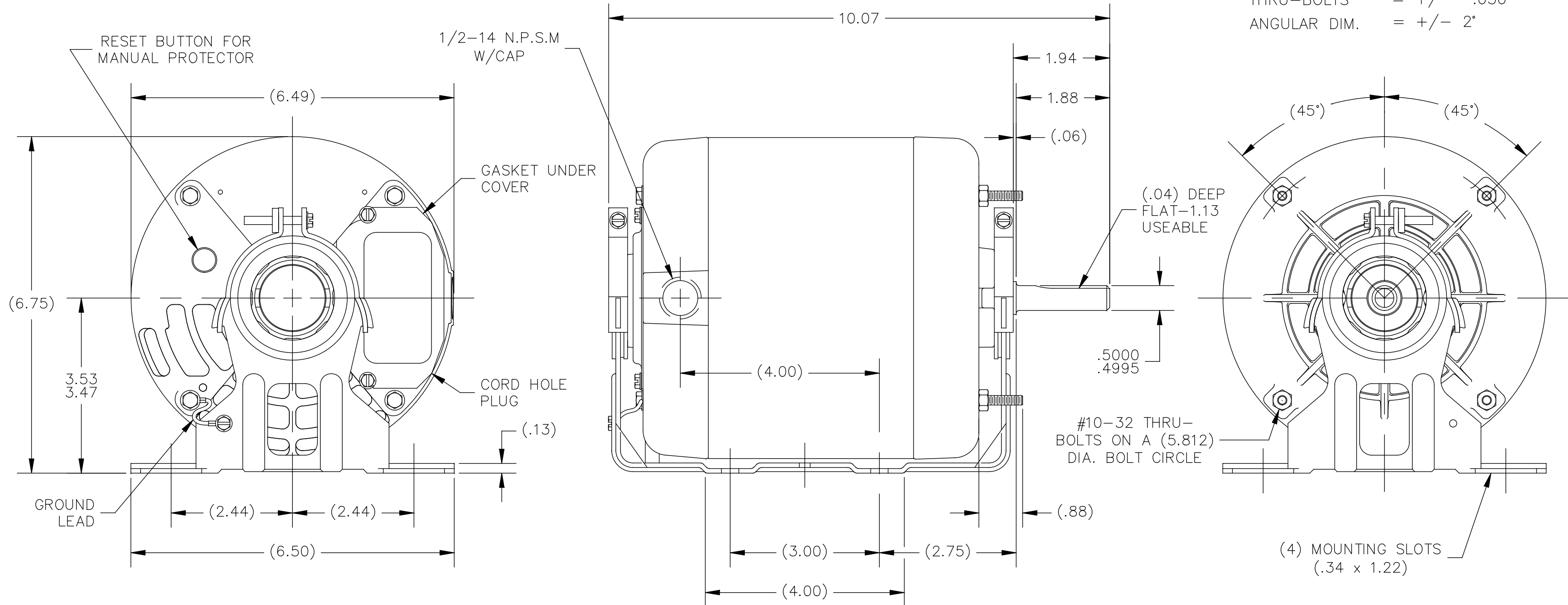


MODEL NO.	PERFORMANCE CURVE NO.
ARB2024M	C26048

ALL DIMENSIONS SHOWN IN PARENTHESIS ARE REFERENCE DIMENSIONS. ALL OTHER DIMENSIONS ARE TOLERANCED PER THE FOLLOWING CHART UNLESS OTHERWISE SPECIFIED.

OVERALL DIM. = +/- .055  
 SHAFT EXT. = +/- .034  
 LEAD LENGTHS = +/- 1.00  
 EXTENDED THRU-BOLTS = +/- .050  
 ANGULAR DIM. = +/- 2°



DRAWING REVISION C	REVISION BY J.HESS	DATE 04-11-2016	TOLERANCES UNLESS OTHERWISE SPECIFIED	DRAWN BY: DHOLT	Regal Beloit America, Inc.
ECO ECO-0090996	APPROVED BY J.HESS	DATE 04-11-2016	DEC. INCH mm ANGLE .X ±0.1 [±2.5] ±0.5° .XX ±0.02 [±0.51] .XXX ±0.005 [±0.127] .XXXX ±0.0005 [±0.0127]	DATE: 09-01-2004	
ECO DESCRIPTION UPDATED TITLE BLOCK			REMOVE BURRS & BREAK SHARP EDGES .003/.015 [0.076/.381] CORNER FILLETS .02 [51] MACHINED SURFACES 125/INCH 3.2/mm	APPROVED BY: GNOE	DESCRIPTION MODEL-CFHP-56FR OUTLINE
<small>COPYRIGHT REGAL BELOIT AMERICA, INC. ALL RIGHTS RESERVED. PROPRIETARY AND CONFIDENTIAL INFORMATION - THIS DOCUMENT IS THE PROPERTY OF REGAL BELOIT AMERICA, INC. (OWNER) AND CONTAINS OWNER'S PROPRIETARY INFORMATION. ANY PERSON, CORPORATION OR OTHER FIRM RECEIVING IT IS DEEMED, BY RECEIVING IT, TO AGREE THAT IT, AND/OR ANY PART OF IT, SHALL NOT BE DISCLOSED TO ANY PERSON, CORPORATION OR OTHER ENTITY, DUPLICATED, AND/OR USED, EXCEPT AS EXPRESSLY APPROVED IN WRITING IN ADVANCE BY OWNER. THIS DOCUMENT SHALL BE RETURNED TO OWNER UPON REQUEST. IT MAY BE SUBJECT TO CERTAIN RESTRICTIONS UNDER APPLICABLE EXPORT CONTROL LAWS AND REGULATIONS.</small>				DATE: 09-14-2004	MATERIAL
				REFERENCE	PROCESS/FINISH
				THIRD ANGLE PROJECTION	SIZE DWG NO C 18876501-001
					SHEET 1