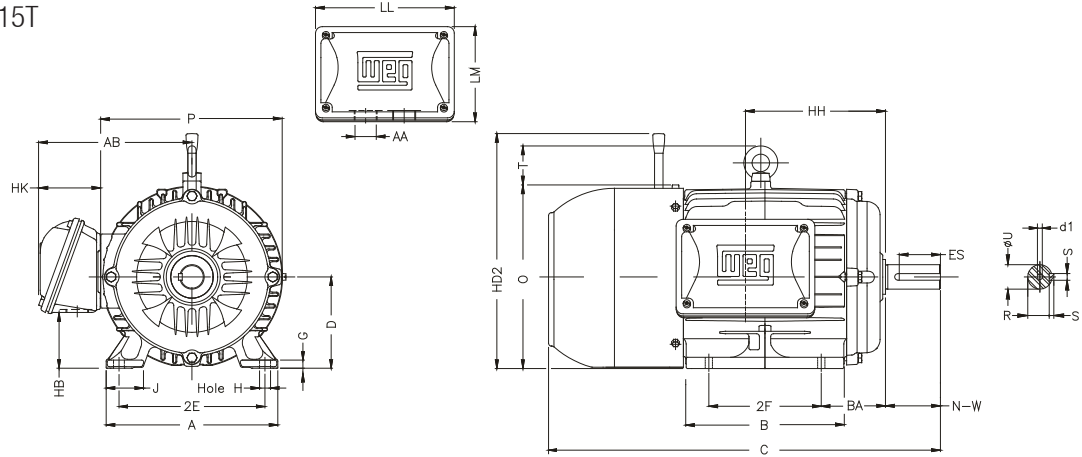


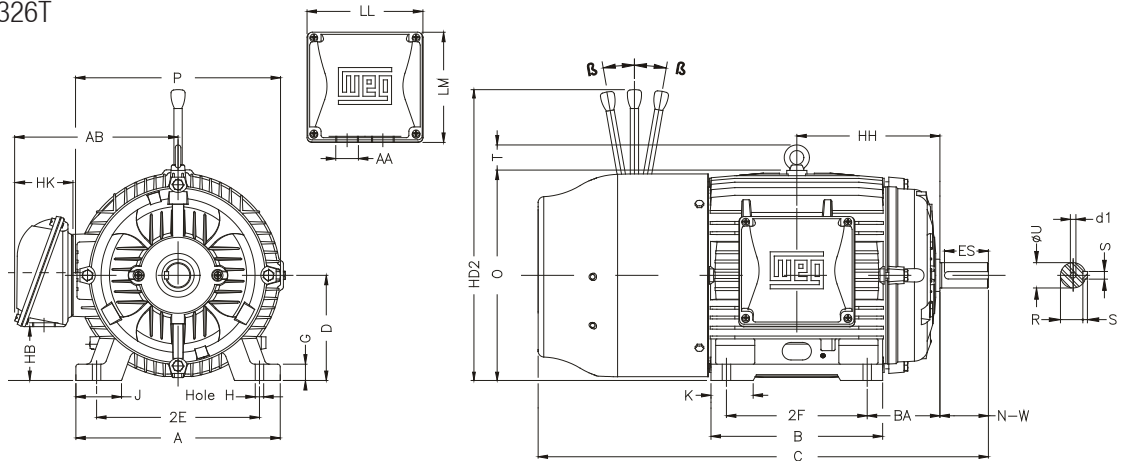
# W22 NEMA Brake Motors - High Efficiency

## TEFC - Mechanical Data

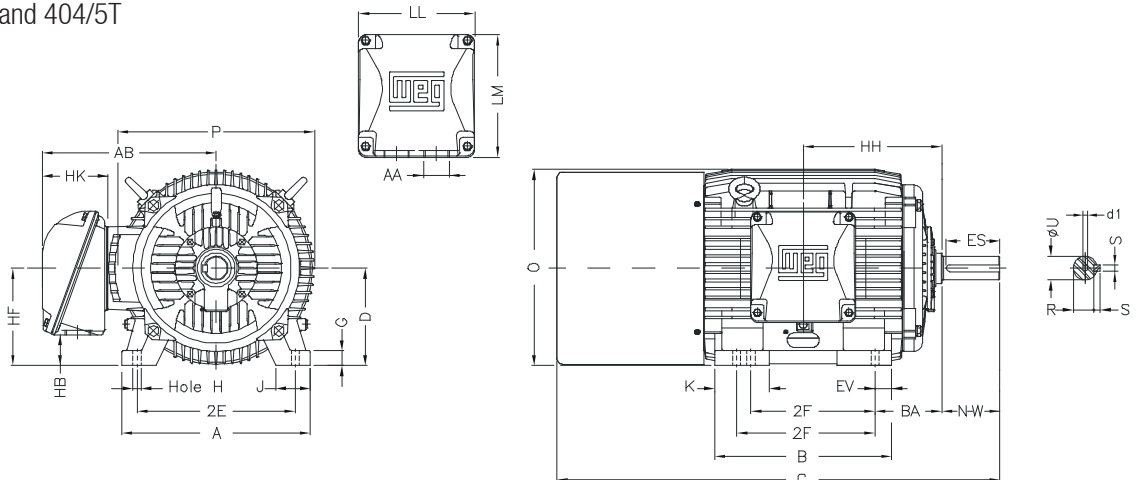
### Frames 143T to 215T



### Frames 254T to 326T



### Frame 364/5T and 404/5T



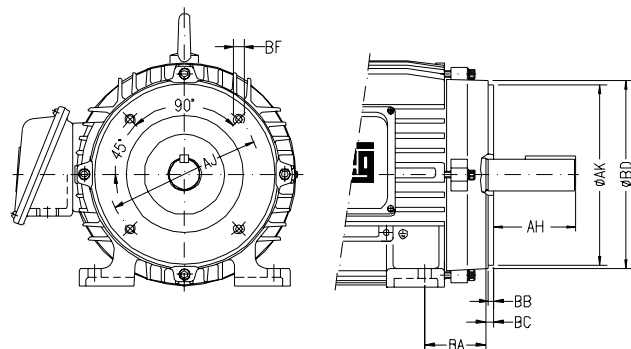
# W22 NEMA Brake Motors - High Efficiency

## TEFC - Mechanical Data

NEMA FRAMES	A	AA	AB	B	BA	C	D	EV	G	Shaft				
										U	N-W	ES	R	S
143/5T	6.457	NPT 3/4"	6.263	6.142	2.250	13.346	3.500		0.354	0.875	2.250	1.575	0.765	0.187
182/4T	8.661	NPT 1"	7.513	6.969	2.750	15.860	4.500		0.394	1.125	2.750	1.969	0.984	0.250
213/5T	9.764		8.609	8.858	3.500	19.517	5.250		0.669	1.375	3.375	2.480	1.203	0.313
254/6T	12.126	NPT 1 1/2"	10.483	11.732	4.250	24.945	6.250		0.827	1.625	4.000	2.756	1.406	0.375
284/6TS	13.780		11.073	13.071	4.750	26.557	7.000		1.023	1.625	3.250	2.480	1.406	0.375
284/6T					27.929				1.875	4.622	3.149	1.594		
324/6TS	15.157	NPT 2"	12.575	14.567	5.250	29.616	8.000		1.300	1.875	3.750	2.756	1.594	0.500
324/6T						31.116				2.125	5.250	3.937	1.844	
364/5TS	17.165	NPT 3"	16.016	15.760	5.875	32.276	9.000	1.654	1.480	1.875	3.748	1.968	1.591	0.625
364/5T				15.512		34.251				2.375	5.874	4.330	2.019	
404/5T	19.921			18.386	6.625	48.545	10.000	2.323	1.811	2.874	7.250	5.512	2.449	0.750

NEMA FRAMES	Hole H	HB	HH	HK	J	K	LL	LM	O	P	2E	2F	d1	Bearings		Manual release	
														D.E.	N.D.E.	HD2	β
143/5T	0.344	1.727	4.750	2.733	1.437	-	5.961	4.215	7.122	7.047	5.500	4.000/5.000	A4	6205-ZZ	6204-ZZ	8.697	9°
182/4T	0.406	2.216	5.500	3.117	1.614		6.575	5.246	9.343	8.740	7.500	4.500/5.500		6207-ZZ	6206-ZZ	12.138	
213/5T		2.966	7.000		2.165	1.772			2.165	10.841	10.669	8.500	5.500/7.000	6308-ZZ	6207-ZZ	14.659	10°
254/6T	0.531	3.061	9.250	3.976	2.539	2.559	7.815	7.480	12.598	12.953	10.000	8.252/10.000	A4	6309-C3	6209-Z-C3	17.195	9°
284/6TS		3.535	10.250		3.110	2.874			14.067	14.173	11.000	9.500/11.000		6311-C3	6211-Z-C3	19.563	
284/6T	0.657	4.811	11.250	4.705	3.189	3.189	9.055	8.661	15.953	15.827	12.500	10.500/12.000	A4	6312-C3	6212-Z-C3	25.48	10°
324/6TS																	
324/6T	0.660	4.251	12.362	6.024	3.150	4.138	10.591	11.267	17.957	17.914	14.016	11.260/12.244	UNC 3/4"	6314-C3	6314-C3	-	-
364/5TS																	
364/5T	0.810	5.252	14.213	6.024	3.937	5.669	10.591	11.267	19.566	19.134	15.984	12.244/13.740	UNC 3/4"	6316-C3	6316-C3	-	-
404/5T																	

"C" FLANGE DIMENSIONS									
NEMA FRAMES	BA	AJ	AK	BD	BF		BB	BC	AH
					NUMBER	TAP SIZE			
143/5TC	2.250	5.875	4.500	6.500	4	UNC 3/8"x16	0.156	0.125	2.125
182/4TC	2.750					UNC 1/2"x13		2.625	
213/5TC	3.500	7.250	8.500	8.875		3.125			
254/6TC	4.250					3.75			
284/6TC	4.750	9.000	10.500	11.031	8	UNC 5/8"x11	0.250	0.250	4.375
284/6TSC									
324/6TC	5.250							5.000	
324/6TSC								3.500	
364/5TC	5.875	11.000	12.500	15.551	8	UNC 5/8"x11	0.250		5.625
364/5TSC									
404/5TC	6.625								7.000
404/5TSC									



"D" FLANGE DIMENSIONS							
NEMA FRAMES	BA	AJ	AK	BD	BF		BB
					NUMBER	TAP SIZE	
143/5TD	2.250	10.000	9.000	11.000	4	0.562	0.203
182/4TD	2.750						
213/5TD	3.500						
254/6TD	4.250						
284/6TD	4.750	12.500	11.000	14.000	8	0.828	0.203
284/6TSD							
324/6TD	5.250	16.000	14.000	17.716			
324/6TSD							
364/5TD	5.875	20.000	18.000	22.000	8		
364/5TSD							
404/5TD	6.625						
404/5TSD							

