

TERM. END

LEAD DESCRIPTION:

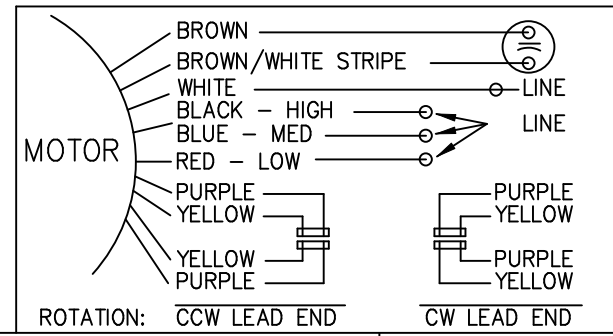
1 WHITE, 1 BLACK, 1 BLUE, & 1 RED, LEAD WITH .50 BARE WIRE STRIP. 30.00" LONG

2 BROWN LEADS WITH .25 FLAG-TYPE QUICK CONNECTS 30.00" LONG. WHITE MARKED LEAD IS COMMON TO WHITE.

REVERSING LEADS ARE MOLDED INTO MATING PULL-APART PLUGS. 1 YELLOW & 1 PURPLE LEAD PER PLUG. 5.00" LONG.

GREEN GROUND LEAD WITH TERM. FOR #10 SCREW 12.00" LONG.

DASH	FR.	C	A
500	48Y	11.44	5.50
525	48Y	11.69	5.75
550	48Y	11.94	6.00
600	48Y	12.44	6.50



NO.	REVISION	BY & DATE	CHK	TOLERANCES UNLESS SPECIFIED	
				DEC.	INCHES
5	UPDATED DRAWING	TJW 04/16/2007	.X	±.1	
4	REDRAWN IN AUTOCAD	TAT 08-03-2004	ML	.XX	±.03
3	UPDATED FRAME VENTS	HLB 01-22-2001		.XXX	±.005
2	REDRAWN & REVISED LEAD LENGTHS	CN 21149 BLR 09-29-1995		.XXXX	±.0005
				ANG	±7'30"



TITLE	OUTLINE
MAT'L.	
FINISH	

DRAWN	BLR 09-20-1995
CHK	DA 09-29-1995
APPD	GK 09-29-1995
SCALE	3=8
REF	
FMF	
PREV	

THIS DRAWING IN DESIGN AND DETAIL IS OUR PROPERTY AND MUST NOT BE USED EXCEPT IN CONNECTION WITH OUR WORK ALL RIGHTS OF DESIGN AND INVENTION ARE RESERVED THIS IS AN ELECTRONICALLY GENERATED DOCUMENT - DO NOT SCALE THIS PRINT	RFP	CAD FILE	ss75137	SIZE	DRAWING NO.	PAGE	OF	REV.
	DIST	WP		A	SS75137			5