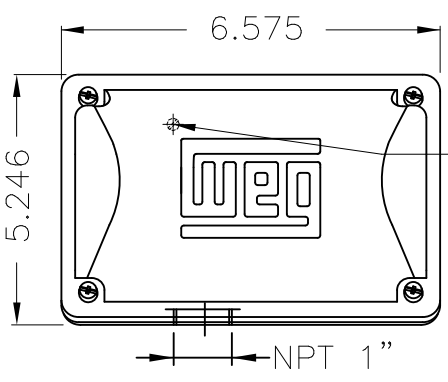
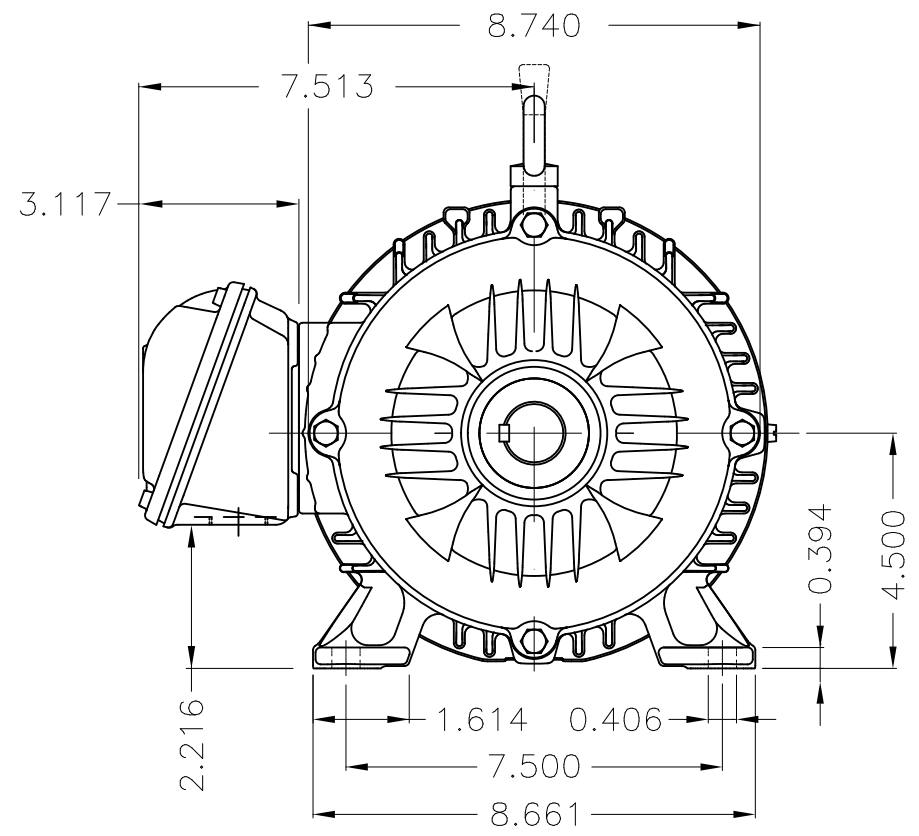


Dimensões em polegada  
Dimensions in inches

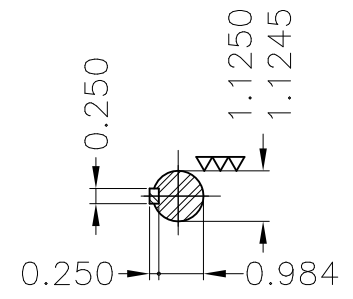
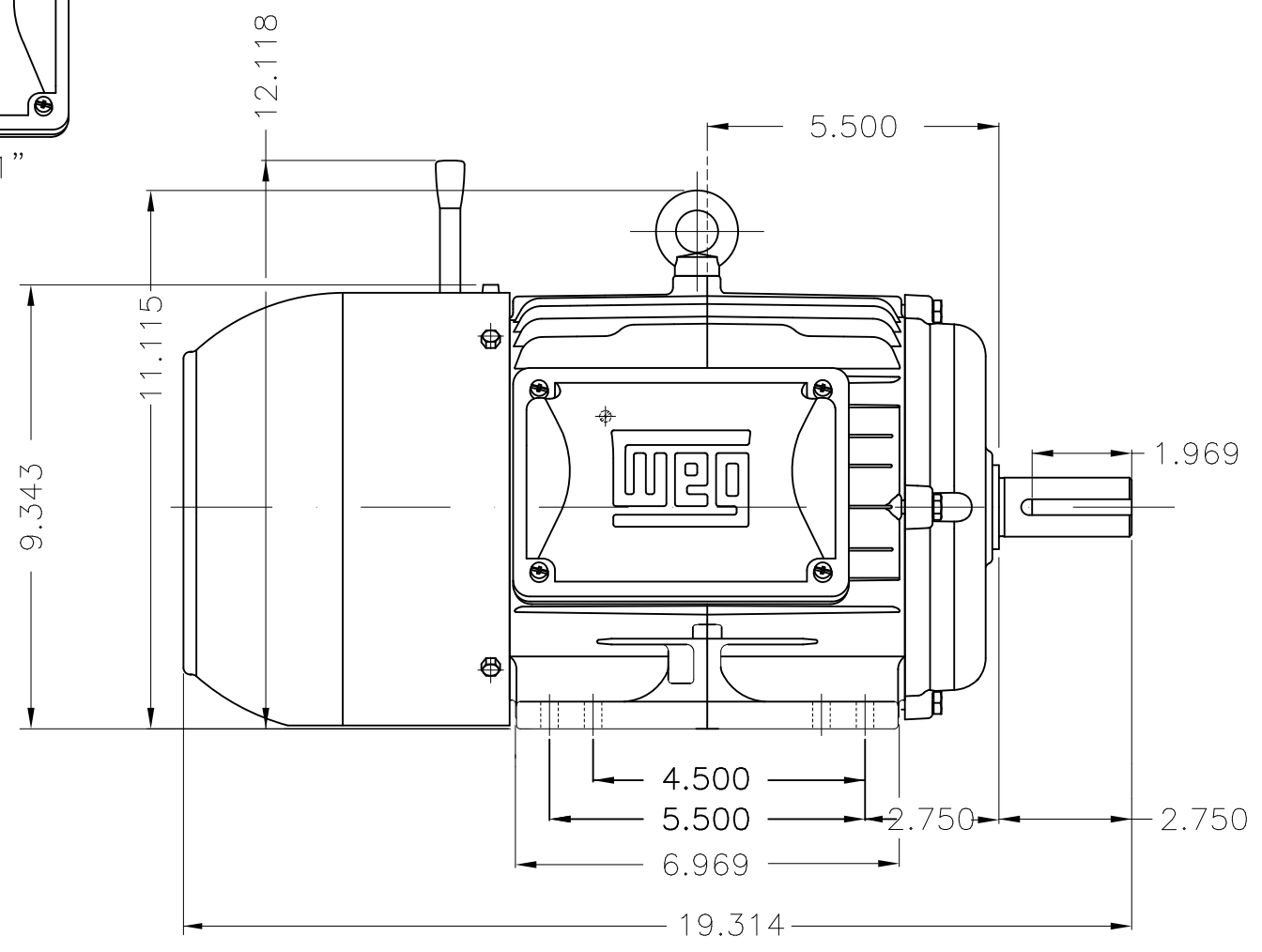
THIS IS AN UPDATED REVISION, THE  
PREVIOUS ONE MUST BE DISREGARDED.

A  
B  
C  
D  
E



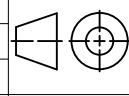
Main terminal box

—Grounding for leads 2–10 mm<sup>2</sup> / 14–7 AWG



DE Shaft End

Color RAL 5009  
Painting plan 207A  
Mounting B3R(D)

ECM	LOC	SUMMARY OF MODIFICATIONS			EXECUTED	CHECKED	RELEASED	DATE	VER
EXECUTED	USERADMIN		W22 THREE PHASE BRAKE MOTOR - NEMA PREMIUM EFF						
CHECKED			FRAME 182/4T IP55 TEFC						
RELEASED			WEG code: 13473877						
REL DT	24.07.2017	WMO	Jaraguá do Sul	Product Engineering	SHEET	1 / 1			



1.5 HP 06 Poles 60Hz