

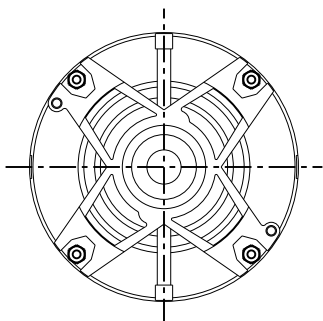
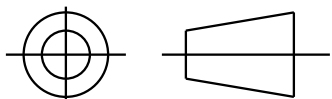
RBC PROPRIETARY AND CONFIDENTIAL INFORMATION

This document is the property of REGAL BELOIT CORPORATION ("RBC") including its subsidiaries and divisions and contains proprietary information of RBC. This document is loaned on the express condition that neither it nor the information contained therein shall be disclosed to others without the express written consent of RBC, and that the information shall be used by the recipient only as approved expressly by RBC. This document shall be returned to RBC upon its request. This document may be subject to certain restrictions under U.S. export control laws and regulations.

REVISIONS

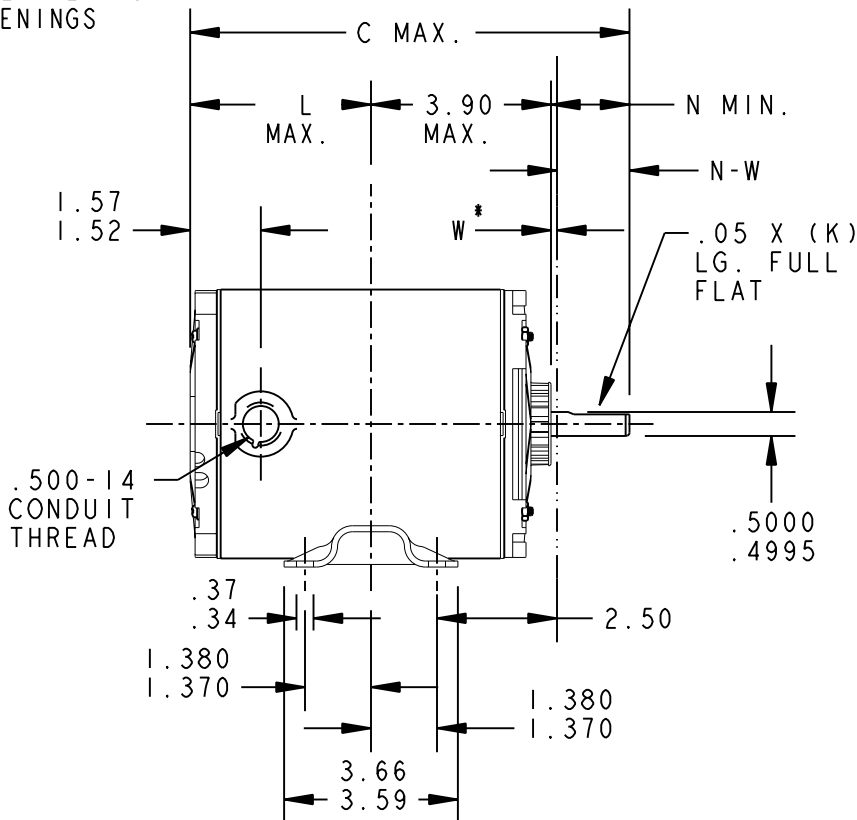
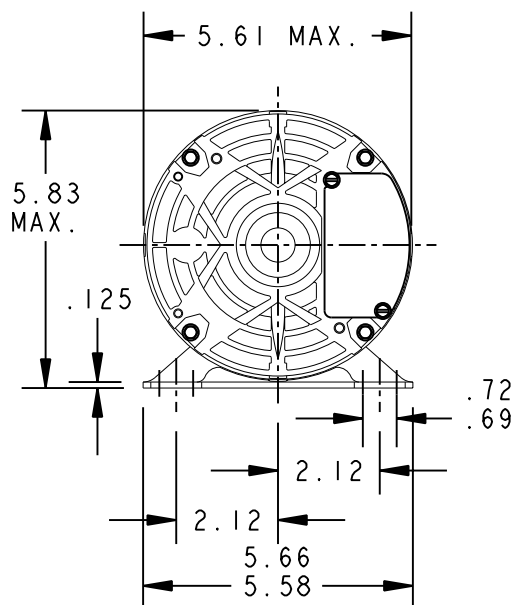
| REV. | DESCRIPTION                | DATE     | APPROVED  |
|------|----------------------------|----------|-----------|
| 1    | ADDED "CONTINUED FROM---". | 05/15/95 | M.D.PAPE  |
| 2    | ADDED PARTS #2-#6.         | 08/09/95 | M.D.PAPE  |
| 3    | UPDATED AS PER IS05-2229   | 09/21/05 | PRAVEEN.K |

THIRD ANGLE PROJECTION



VIEW SHOWING P.E. VENTILATION OPENINGS

W\* IS A CLEARANCE DUE TO VARIATION IN PARTS AND ASSEMBLY.



| 6 | K    | KH      | 38      | 48 | 10.68 | 1.16 | 5.22 | 1.50 | 1.63/1.41  | 7.22 |
|---|------|---------|---------|----|-------|------|------|------|------------|------|
| 5 | K    | KH      | 37      | 48 | 10.08 | 1.16 | 4.62 | 1.50 | 1.63/1.41  | 6.62 |
| 4 | K    | KH      | 35      | 48 | 9.25  | 1.16 | 3.79 | 1.50 | 1.63/1.41  | 5.79 |
| 3 | K    | KH      | 33      | 48 | 8.87  | 1.16 | 3.41 | 1.50 | 1.63/1.41  | 5.41 |
| 2 | K    | KH      | 32      | 48 | 8.62  | 1.16 | 3.16 | 1.50 | 1.63/1.41  | 5.16 |
| 1 | K    | KH      | 36      | 48 | 9.68  | 1.16 | 4.22 | 1.50 | 1.63/1.41  | 6.22 |
| P | TYPE | GE SIZE | NEMA FR | C  | K     | L    | N    | N-W  | SHELL REF. |      |

CONTINUED FROM 52A102336

|                               |                        |          |          |   |
|-------------------------------|------------------------|----------|----------|---|
| FOR ADDITIONAL INFO REFER TO: | SIGNATURES             | DATE     |          | <b>REGAL-BELOIT CORPORATION</b>   |
| APPLIED PRACTICES             | MODEL                  |          |          |   |
| DIMENSIONS ARE IN INCHES      | DETAIL                 | MA MARKS | 12/14/93 | <b>TITLE</b><br><b>FORM N - GENERAL PURPOSE MOTOR - DRIP PROOF</b><br><b>WELDED BASE - BALL OR SLEEVE BEARING</b> |
| TOLERANCE ON:                 | CHECKED                |          |          |   |
| 1 PL DECIMALS ± 0.1           | ENGRG                  |          |          |   |
| 2 PL DECIMALS ± 0.02          | MFG                    |          |          |   |
| 3 PL DECIMALS ± 0.005         | QUALITY                |          |          | SIZE DRAWING  |
| ANGLES ± 1.0                  | ISSUED                 | M.A.M.   | 12/14/93 | <b>52A109377</b>  |
| FRACTIONS ±                   |                        |          |          | REV <b>3</b>  |
| FINISH ✓                      | SOLID MODEL: 52A109377 |          |          | SCALE: 1.000 REF. No: . SHEET 1 of 1  |