

# Product Information Packet

November 7, 2016

Data shown is for the current revision model #. Ensure your nameplate model # matches.

<b>Model Number:</b>	<b>5KS254ATE105A</b>
<b>Catalog Number:</b>	<b>E752</b>
<b>Instruction Manual:</b>	GEI-M1023
<b>Connection Diagram:</b>	GEM2034E-FIG10
<b>Outline Drawing:</b>	358B6216AA

Accessory Connection Diagrams			
<b>Bearing Thermocouple:</b>	None	<b>Heater:</b>	None
<b>RTD:</b>	None	<b>Thermistor:</b>	None
<b>Thermostat:</b>	None	<b>Winding Thermocouple:</b>	None
<b>Bearing RTD:</b>	None		

Table of Contents	
Specification	01
Performance Characteristics	02
Outline Drawing	03
Connection Drawing(s)	04

**Marks:**

<b>MODEL NUMBER:</b>	<b>5KS254ATE105A</b>	<b>Estimated Weight:</b>	302 Lbs
<b>Outline Drawing:</b>	358B6216AA	<b>Time Rating:</b>	CONT
<b>Connection Diagram:</b>	GEM2034E-FIG10	<b>Enclosure:</b>	DP
<b>Instruction Book:</b>	GEI-M1023	<b>Encl Construction:</b>	OPEN
<b>Design Code:</b>	25AD0009A	<b>Ambient Max(°C):</b>	40
<b>Type:</b>	KS	<b>Alt Ambient Max(°C):</b>	--
<b>Frame:</b>	254T	<b>Insulation Class:</b>	F
<b>Phases:</b>	3	<b>NEMA Design:</b>	A
<b>Poles:</b>	2	<b>Nominal Efficiency:</b>	91 %
<b>Output Power:</b>	20HP 14.8KW	<b>Guaranteed Efficiency:</b>	89.5
<b>RPM:</b>	3535	<b>3/4 Load Efficiency:</b>	91.7
<b>Voltage:</b>	230/460	<b>KVA Code:</b>	J
<b>Hertz:</b>	60	<b>Max KVAR:</b>	4.3
<b>Amps - FL:</b>	46/23	<b>Power Factor:</b>	89.5
<b>Service Factor:</b>	1.15	<b>Bearing - DE:</b>	6310ZZ
<b>Alt Service Factor:</b>	--	<b>Bearing - ODE:</b>	6208ZZ

Enclosure is Dripproof

---

**Stamped Nameplate Notes:****Additional Information:**

2 POLE DP  
 LRA; 377.6/188.8  
 NO. OF MOTOR LEADS: 12  
 CONDUIT BOX VOLUME (IN<sup>3</sup>): 110.9  
 CONDUIT BOX MTL: STAMPED STEEL  
 GREASE TYPE: SHELL ALVANIA R3 LITHIUM GREASE  
 USABLE AT 200V @ 20HP, 51.7 AMPS @ 1.0SF  
 50HZ DATA: 20HP, 200/400V, 52.8/26.4 AMPS @ 1.0SF, 2925 RPM  
 SOUND POWER: 77.7  
 DMK, 06/04, DATA UPDATE 11/2004  
 INVERTER DUTY PER NEMA MG1 PART 31  
 FOR VARIABLE TORQUE LOADS

**Performance Characteristics**

1st Winding 1st Connection

**Design: 25AD0009A**

**Marks:**

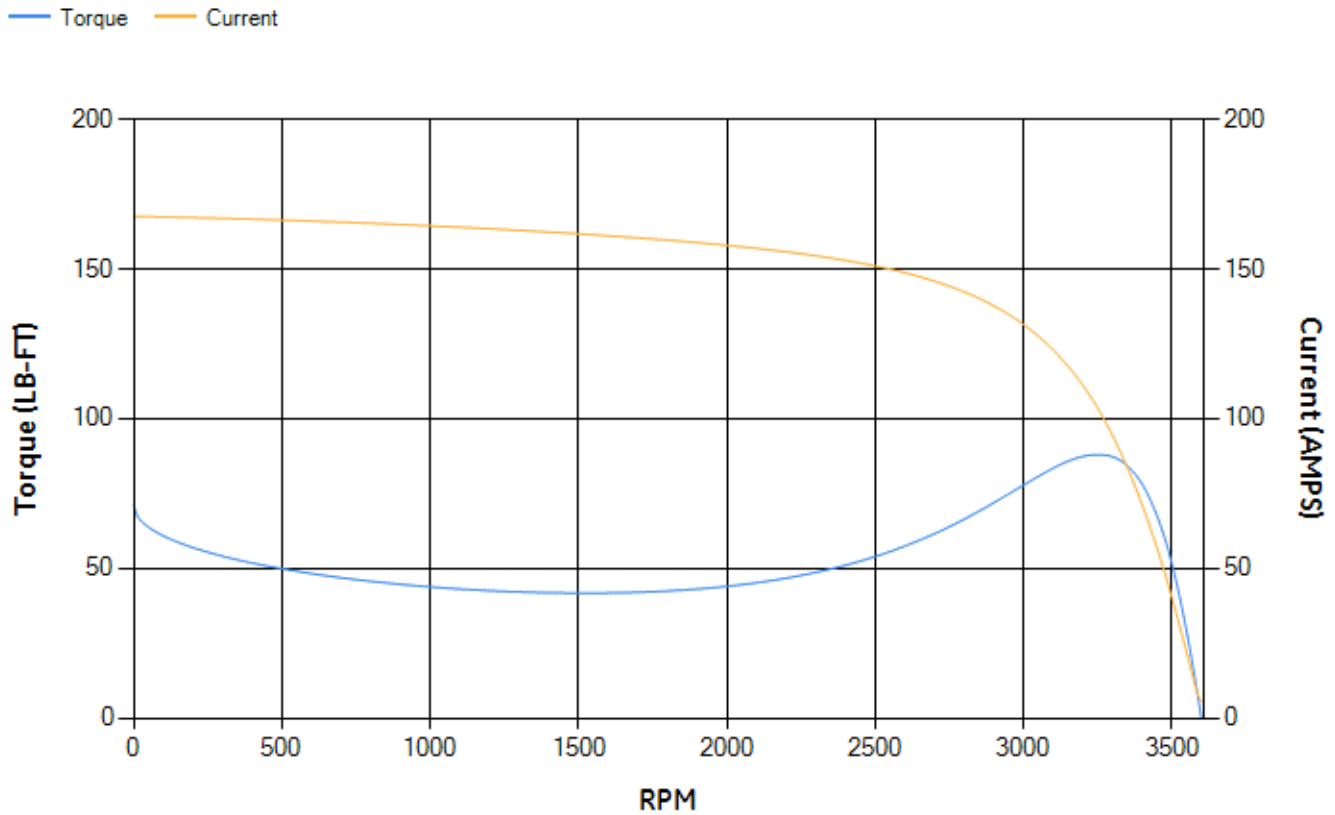
LOAD %	125.0	115.0	100.0	75.0	50.0	25.0	0.0
% EFF	90.41	90.82	91.52	91.74	91.13	86.97	0.00
% PF	92.41	92.29	91.86	89.98	84.75	67.98	11.19
AMPS	28.01	25.68	22.27	17.01	12.12	7.92	5.49

<b>TORQ(FL)#FT</b>	29.66	<b>TORQ(LR)%FL</b>	239.61	<b>TORQ(BD)%FL</b>	292.33
<b>AMPS(LR)</b>	167.62	<b>PF AT START</b>	0.35		

This motor is capable of two cold or one hot start with a maximum connected load inertia of 88 Lb-Ft Sq (3.7 Kg-meter Sq)at 100% voltage, where the load torque varies with the square of the speed. Acceleration time with maximum inertia and the above load type is 23 seconds. Safe stall time at 100% voltage is 40 seconds cold, 36 seconds hot. Rotor inertia is 1.07 Lb-Ft Sq (0.05 Kg-meter Sq).

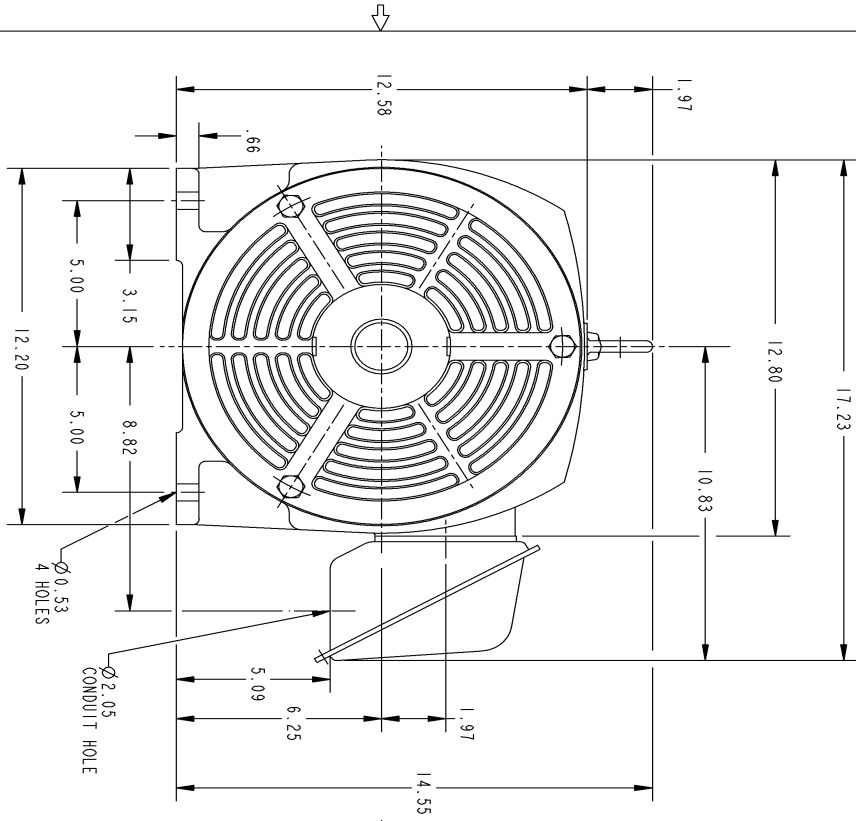
<b>Open Circuit A-C:</b>	0.661	<b>Short Circuit D-C:</b>	0.014
<b>Short Circuit A-C:</b>	0.018	<b>X/R Ratio:</b>	5.21
<b>Stator Slots:</b>	36	<b>Rotor Slots:</b>	44

**Speed Torque Current Curve (First Connection, First Speed)**



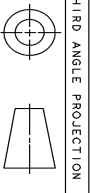
NAME:501452442 OBJECT:358B6216AA DATE:23-May-07 23:51:25

Marks:



NOTES :

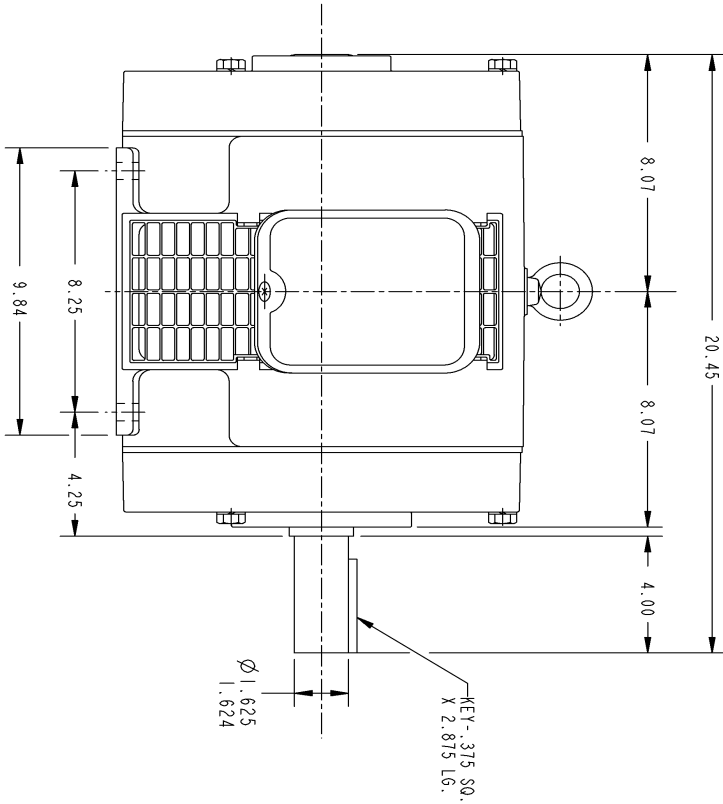
1. CONDUIT BOX MAY BE PLACED WITH THE ENTRANCE DOWN, UP OR ON EITHER SIDE.
2. F-1 ASM AS SHOWN.
3. F-2 ASM - HAS CONDUIT BOX ON OPPOSITE SIDE.



SIZE: B DRAWING FOR 358B6216AA  
 GE PROPRIETARY INNOVATION

This document is the property of General Electric Company (GE) and contains confidential information. This document is loaned to the recipient under the condition that the information contained herein shall be disclosed only to those individuals who are specifically authorized to receive it. This document is not to be distributed, copied, or otherwise used without the prior written approval of GE. This document shall be returned to GE upon its receipt and shall not be subject to external redistribution under any circumstances.

REV.	DESCRIPTION	DATE	APPROVED
1	ISAAC 07-0770	05/02/07	R. KOHNE



UNLESS OTHERWISE SPECIFIED:		SIGNATURES		DATE	
DIMENSIONS ARE IN INCHES		DRWN	P. RAJU	03/27/03	
TOLERANCES ARE:		CHECKED	PRABHAKAR	03/27/03	
2 PL DECIMALS ±		ENGR			
3 PL DECIMALS ±		ISSUED	PRABHAKAR	03/27/03	
ANGLES ± 1°		APPLIED PRACTICES			
MATERIAL:		SIZE DRAWING	B	SCALE: DRAWING SCALE	REV. 1

**GE Industrial Systems**  
 GENERAL ELECTRIC COMPANY  
 Fort Wayne, Indiana

**OUTLINE**  
 254T - OPEN DRIP PROOF

**358B6216AA**

DISTRIBUTION:

Marks:

**Connection Diagram**  
**GEM2034E-FIG10**

