

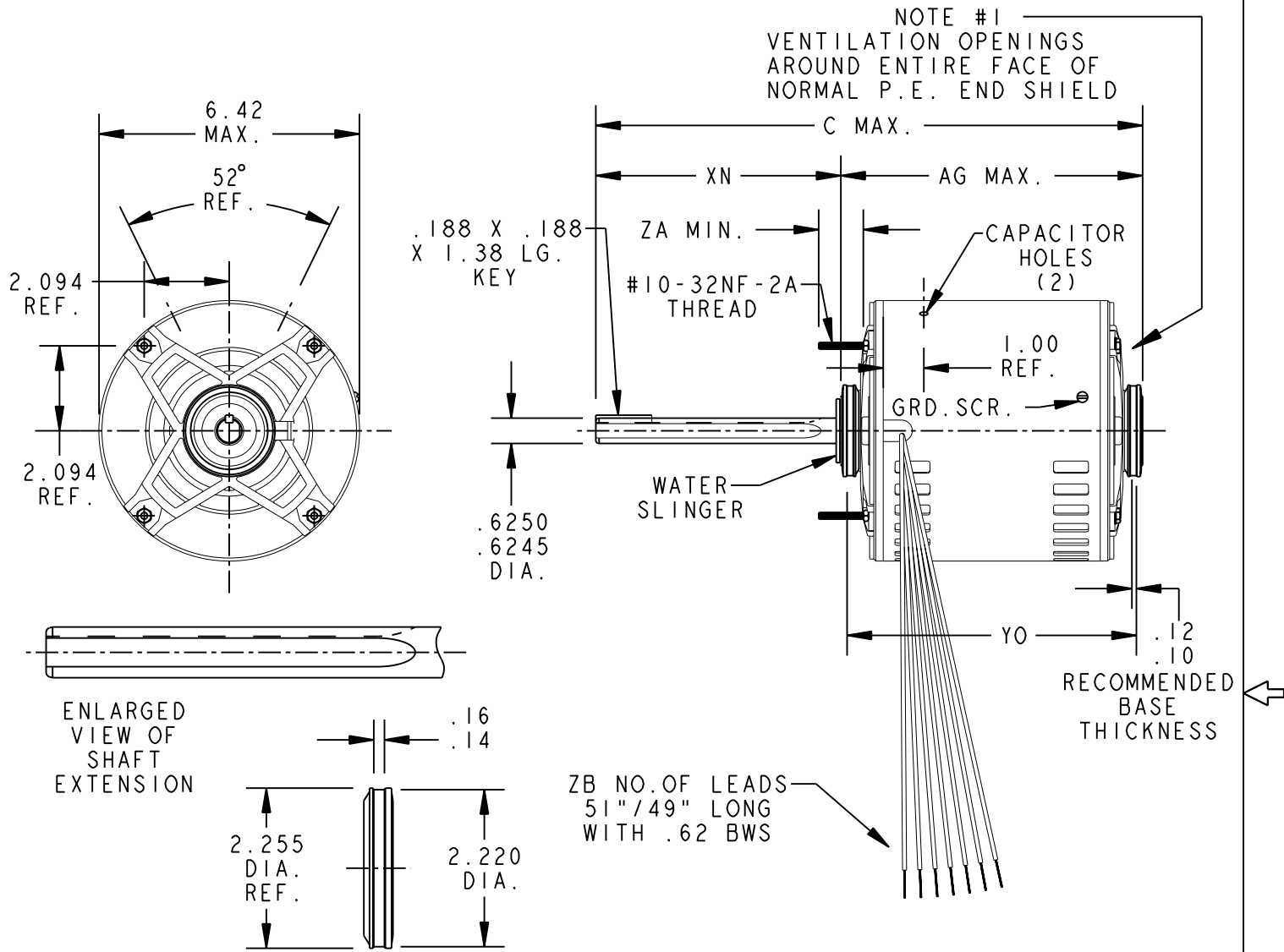
SHEET 1
 REV 5
 SIZE DRAWING NO. 52A109649
 A

THIRD ANGLE PROJECTION




REVISIONS

| REV. | DESCRIPTION | DATE | APPROVED |
|------|---------------------------------|----------|----------|
| 5 | CHG TO RBC FORMAT PER ISO5-1777 | 03/22/06 | SUDHA |



| | | | | | | | | | | |
|---|------|---------|---------|-----------|-------|-------|------|-----------|----------------|-------------|
| 5 | KCP | 49 | 56Z | 6.07/6.00 | 17.31 | 11.24 | 1.00 | 8.99 | 7 (DUAL VOLT) | 10.98/10.77 |
| 4 | KCP | 49 | 56Z | 6.07/6.00 | 14.47 | 8.40 | 1.00 | 6.15 | 5 (SING. VOLT) | 8.14/7.93 |
| 3 | KCP | 46 | 56Z | 6.07/6.00 | 14.87 | 8.80 | 1.00 | 6.55 | 7 (DUAL VOLT) | 8.54/8.33 |
| 2 | KCP | 49 | 56Z | 6.07/6.00 | 14.47 | 8.40 | 1.00 | 6.15 | 7 (DUAL VOLT) | 8.14/7.93 |
| 1 | KCP | 49 | 56Z | 6.07/6.00 | 13.66 | 7.59 | 1.00 | 5.34 | 7 (DUAL VOLT) | 7.33/7.12 |
| P | TYPE | GE SIZE | NEMA FR | XN | C | AG | ZA | SHELL LG. | ZB | YO |

| | | | | | | | | |
|----------------------------------------------------------------------------------------------|------------|------------|------------|-----------------------------------------------------------------------------------------------------------------------------------------------------------------------------------------------------------------------------------------------------------|--------------------------|------------------|-----------------|----------|
| FOR ADDITIONAL INFO REFER TO: APPLIED PRACTICES DIMENSIONS ARE IN INCHES ✓ MATERIAL | SIGNATURES | | DATE |  REGAL-BELOIT CORPORATION TITLE OUTLINE 40 FR. REDESIGN - SPECIAL PURPOSE MOTOR - TENV (SE)- DRIP PROOF (PE) - BALL BEARING | SIZE DRAWING A | 52A109649 | REV 5 | |
| | MODEL | | M. D. PAPE | | | | | 07/14/94 |
| | DETAIL | | . | | | | | . |
| | CHECKED | | . | | | | | . |
| | ENGRG | | . | | | | | . |
| MFG | | . | . | | | | | |
| ISSUED | | M. D. PAPE | 09/20/94 | SCALE: 0.250 | REF. No: . | SHEET 1 of 1 | | |