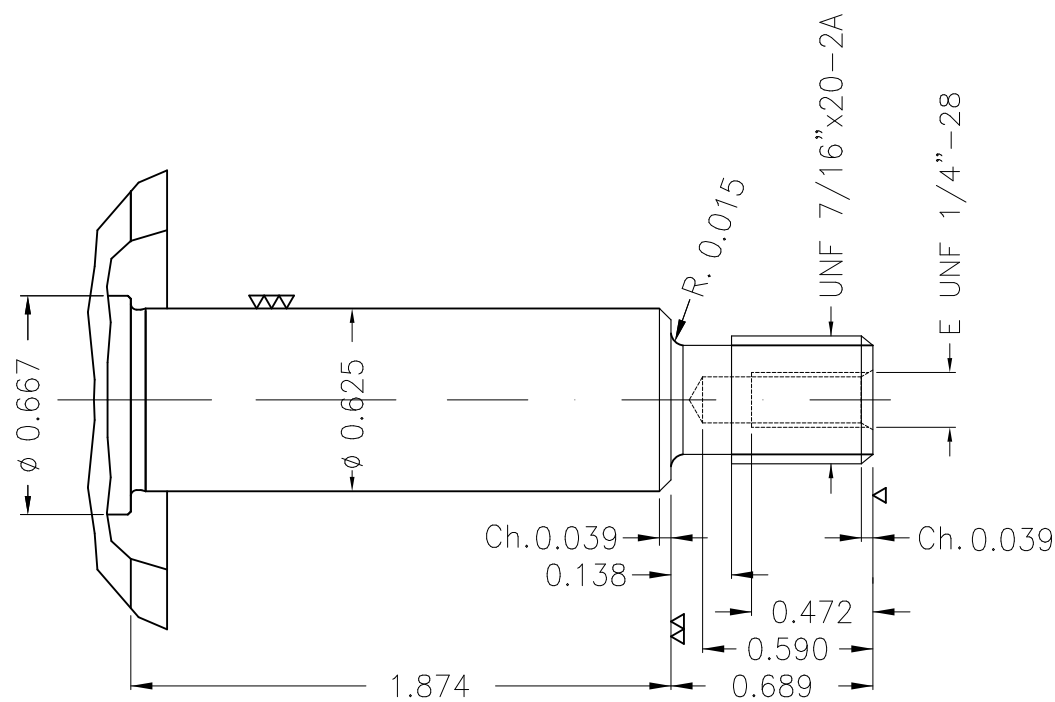
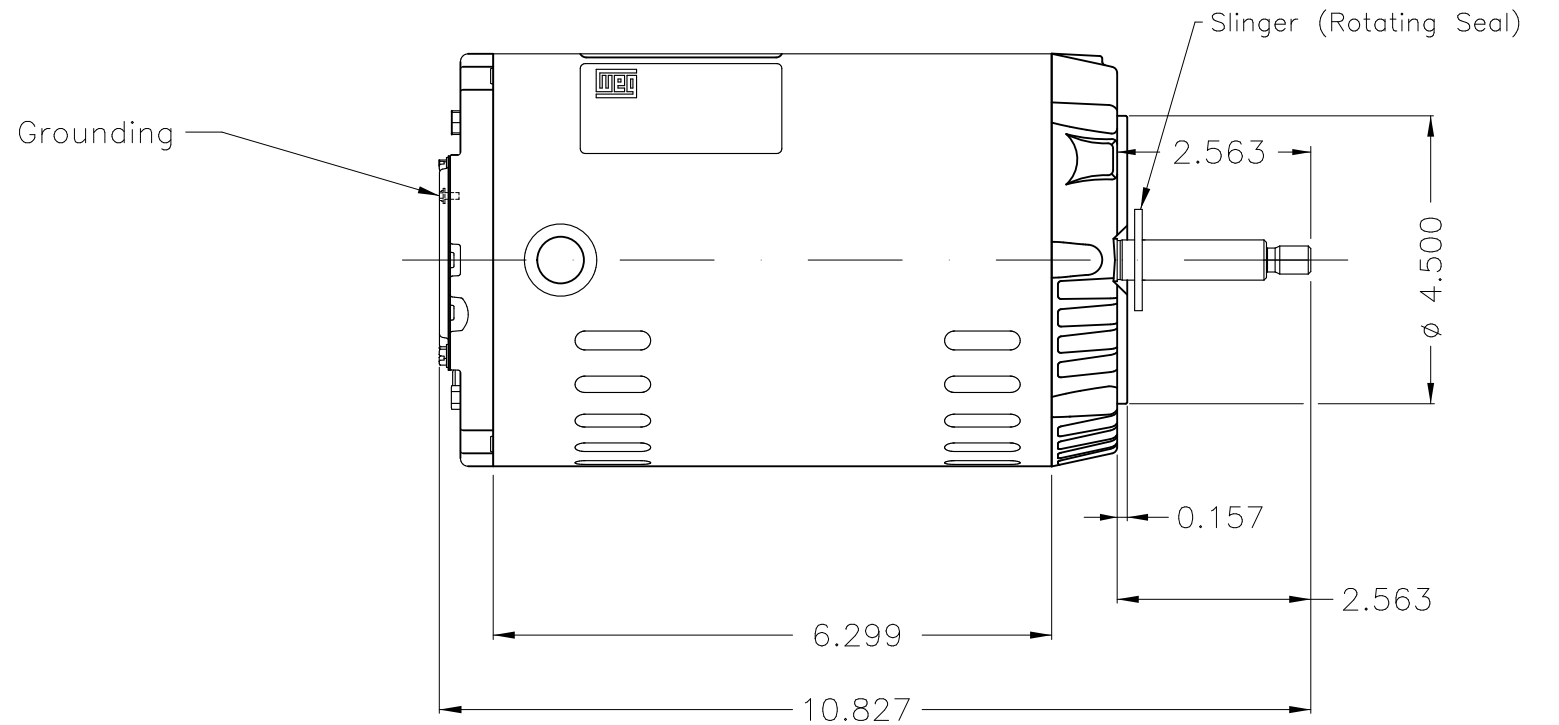
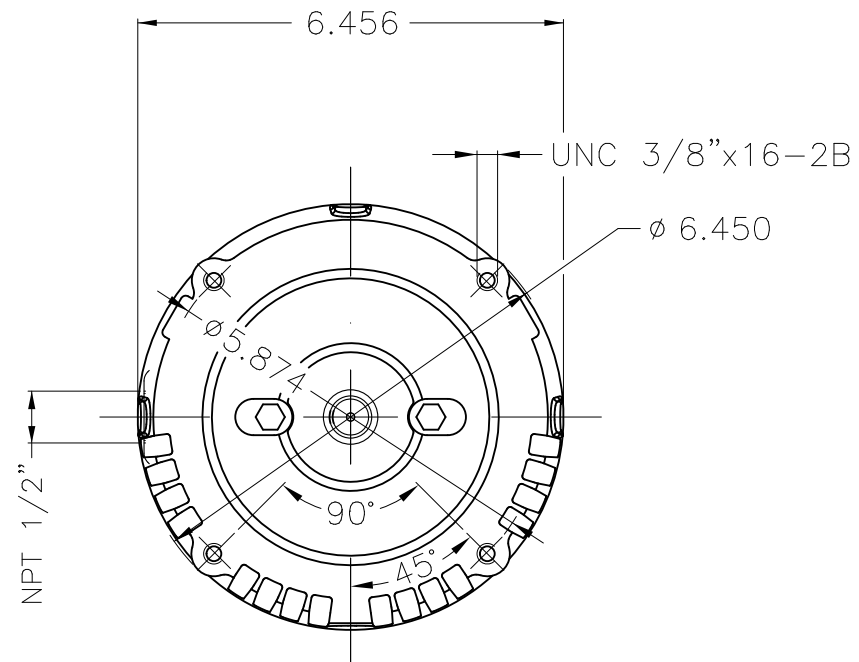


Dimensões em polegada
Dimensions in inches

THIS IS AN UPDATED REVISION, THE
PREVIOUS ONE MUST BE DISREGARDED.



Counterclockwise rotation
Without coating
Mounting F-1/B14R(D)

ECM	LOC	SUMMARY OF MODIFICATIONS	EXECUTED	CHECKED	RELEASED	DATE	VER
EXECUTED	USERADMIN	THREE PHASE ODP ROLLED STEEL					
CHECKED		FRAME 56J ODP					
RELEASED		WEG code: 12676607					
REL DT	24.07.2017	WMO Jaragua do Sul	Product Engineering				

0.33 HP 02 Poles 60Hz

