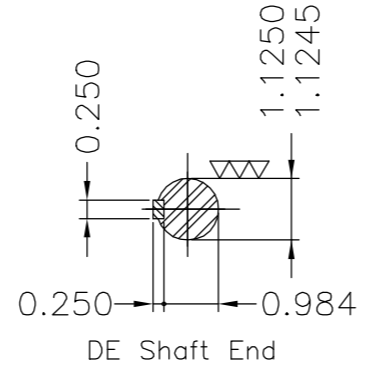
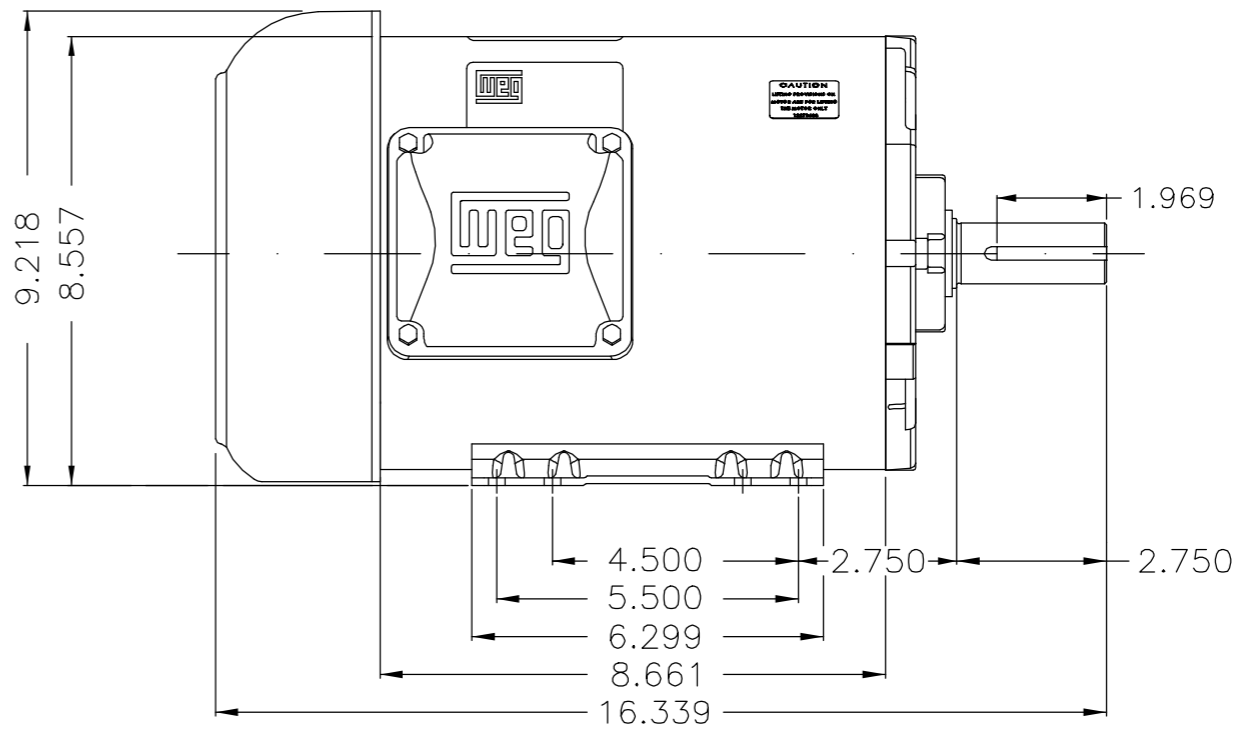
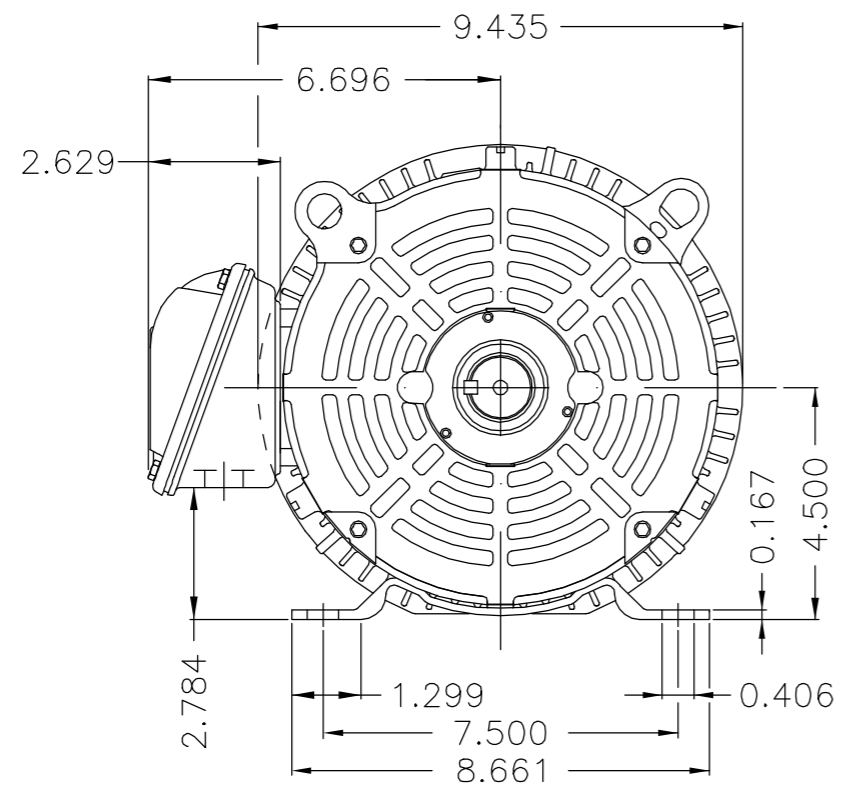
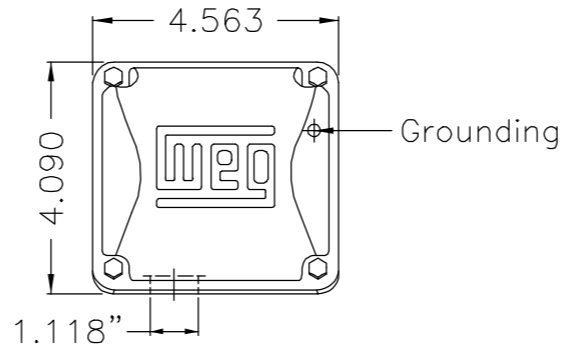


| | |
|-------------------|---|
| EIXO/SHAFT | |
| PADRÃO/STANDARD | X |
| OPCIONAL/OPTIONAL | |
| ESPECIAL/SPECIAL | |

Dimensões em polegadas
Dimensions in inches

THIS IS AN UPDATED REVISION, THE PREVIOUS ONE MUST BE DISREGARDED.



A
B
C
D
E

UNCONTROLLED COPY

| | | | | | | |
|---|------------|---|-------------|----------------|-----------|-----------------------|
| Plano de pintura 207N / Painting plan 207N | | | | | | |
| Forma construtiva B3D / Mounting F-1/B3R(D) | | | | | | |
| WEG ELECTRIC CORP. | | | | | | |
| 500001146687 | | ATUALIZADO PLANO DE PINTURA | MENSOR | | ODORIZZI | 15.03.2016 01 |
| 500001014759 | | DOCUMENTO NOVO | PATRICKL | | EMERSONRH | 19.03.2015 00 |
| ECM | LOC | SUMMARY OF MODIFICATIONS | EXECUTED | CHECKED | RELEASED | DATE VER |
| EXECUTED | PATRICKL | THREE P. MOTOR TEFC ROLLED STEEL NEMA P. FRAME 182/4T IP55 | 10003458101 | | | |
| CHECKED | | | 000 | 01 | | |
| RELEASED | EMERSONRH | | | | | |
| REL DT | 19.03.2015 | | WMO | JARAGUA DO SUL | | ENGENHARIA DE PRODUTO |

5 HP 02 Poles 60Hz 413788098

RELEASED

ZME A3