

# Product Information Packet

November 8, 2016

Data shown is for the current revision model #. Ensure your nameplate model # matches.

<b>Model Number:</b>	<b>5KS143STE107A</b>
<b>Catalog Number:</b>	<b>M7500</b>
<b>Instruction Manual:</b>	GEI-M1031
<b>Connection Diagram:</b>	GEM2034E-FIG1
<b>Outline Drawing:</b>	358B6269AA

## Accessory Connection Diagrams

<b>Bearing Thermocouple:</b>	None	<b>Heater:</b>	None
<b>RTD:</b>	None	<b>Thermistor:</b>	None
<b>Thermostat:</b>	None	<b>Winding Thermocouple:</b>	None
<b>Bearing RTD:</b>	None		

## Table of Contents

Specification	01
Performance Characteristics	02
Outline Drawing	03
Connection Drawing(s)	04



**Marks:**

<b>MODEL NUMBER:</b>	<b>5KS143STE107A</b>	<b>Estimated Weight:</b>	47 Lbs
<b>Outline Drawing:</b>	358B6269AA	<b>Time Rating:</b>	CONT
<b>Connection Diagram:</b>	GEM2034E-FIG1	<b>Enclosure:</b>	TEFC
<b>Instruction Book:</b>	GEI-M1031	<b>Encl Construction:</b>	SD
<b>Design Code:</b>	14AD0011B	<b>Ambient Max(°C):</b>	40
<b>Type:</b>	KS	<b>Alt Ambient Max(°C):</b>	--
<b>Frame:</b>	143T	<b>Insulation Class:</b>	F
<b>Phases:</b>	3	<b>NEMA Design:</b>	--
<b>Poles:</b>	2	<b>Nominal Efficiency:</b>	77 %
<b>Output Power:</b>	1HP 0.7KW	<b>Guaranteed Efficiency:</b>	74.0
<b>RPM:</b>	3505	<b>3/4 Load Efficiency:</b>	85.7
<b>Voltage:</b>	575	<b>KVA Code:</b>	N
<b>Hertz:</b>	60	<b>Max KVAR:</b>	0.3
<b>Amps - FL:</b>	1.1	<b>Power Factor:</b>	88.5
<b>Service Factor:</b>	1.15	<b>Bearing - DE:</b>	6205ZZC3
<b>Alt Service Factor:</b>	--	<b>Bearing - ODE:</b>	6205ZZC3

**Enclosure is Totally Enclosed Fan-Cooled**

---

**Stamped Nameplate Notes:****Additional Information:**

2 POLE, TEFC, LRA: 8.8 AMPS  
 SOUND POWER : < 85 DBA  
 GREASE: SHELL ALVANIA R3 LITHIUM GREASE  
 NO. OF MOTOR LEADS: 3  
 CONDUIT BOX VOLUME (CU IN): 47.1  
 CONDUIT BOX MATERIAL: CAST IRON  
 SUITABLE FOR USE IN CLASS I DIVISION 2 LOCATIONS  
 CLASS I DIVISION 2 GROUPS A,B,C,D T3C  
 CLASS I ZONE 2 IIC T3C

**Performance Characteristics**

1st Winding 1st Connection

**Design: 14AD0011B**

Marks:

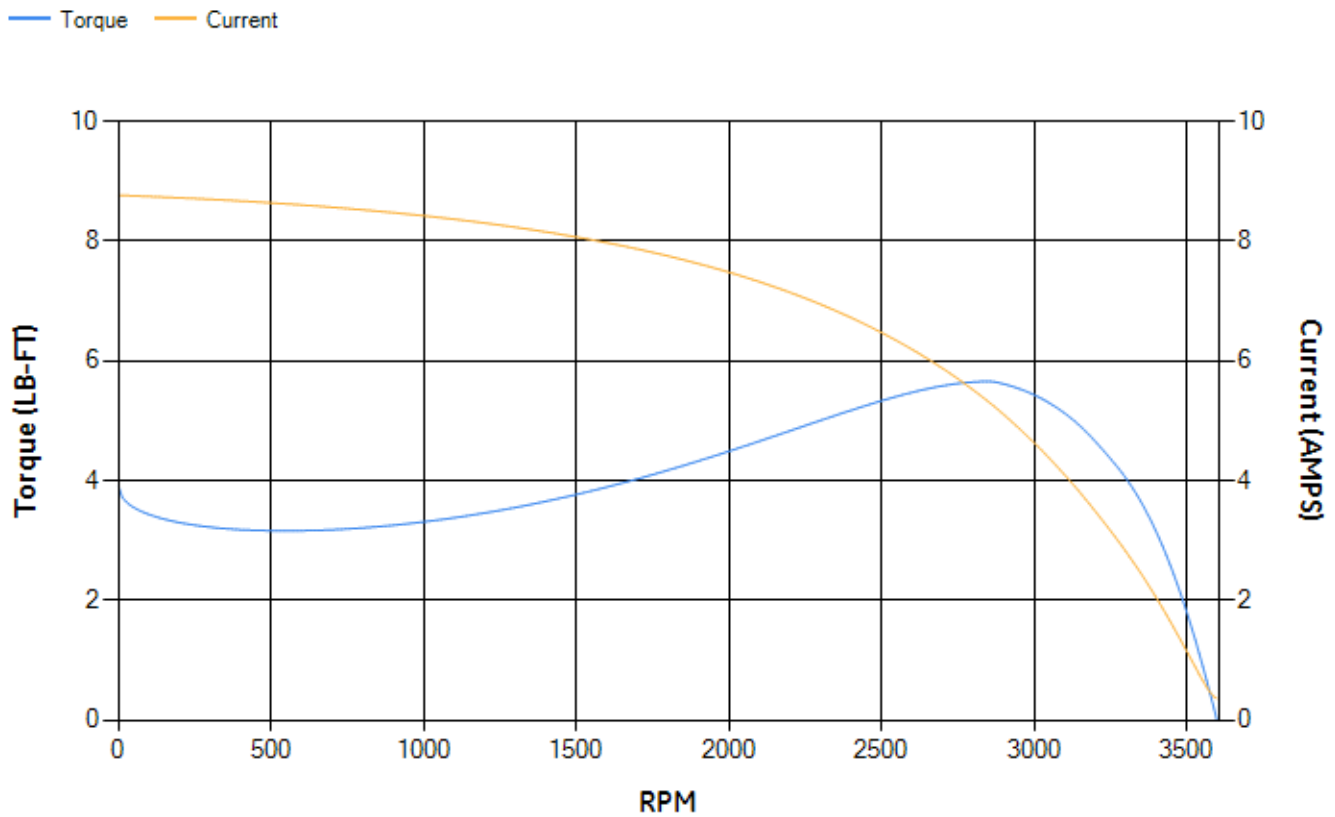
LOAD %	125.0	115.0	100.0	75.0	50.0	25.0	0.0
% EFF	84.2	84.77	85.62	85.72	84.2	76.82	0.00
% PF	90.78	90.14	88.76	84.62	75.73	55.47	14
AMPS	1.22	1.13	0.99	0.77	0.59	0.44	0.36

TORQ(FL)#FT	1.5	TORQ(LR)%FL	260.61	TORQ(BD)%FL	366.26
AMPS(LR)	8.76	PF AT START	0.62		

This motor is capable of two cold or one hot start with a maximum connected load inertia of 9 Lb-Ft Sq (0.38 Kg-meter Sq) at 100% voltage, where the load torque varies with the square of the speed. Acceleration time with maximum inertia and the above load type is 32 seconds. Safe stall time at 100% voltage is 76 seconds cold, 61 seconds hot. Rotor inertia is 0.04 Lb-Ft Sq (0 Kg-meter Sq).

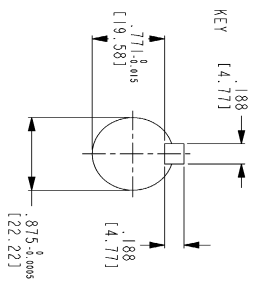
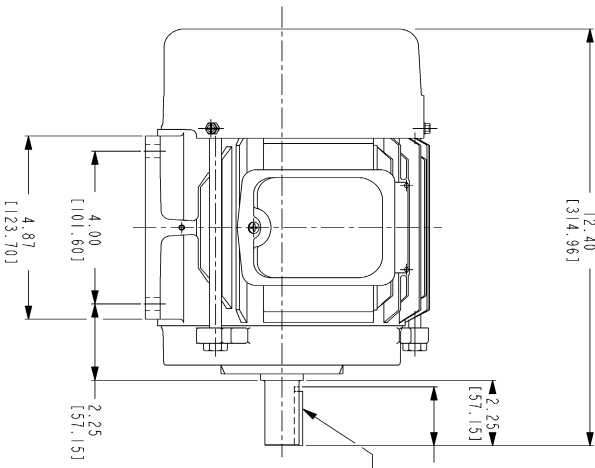
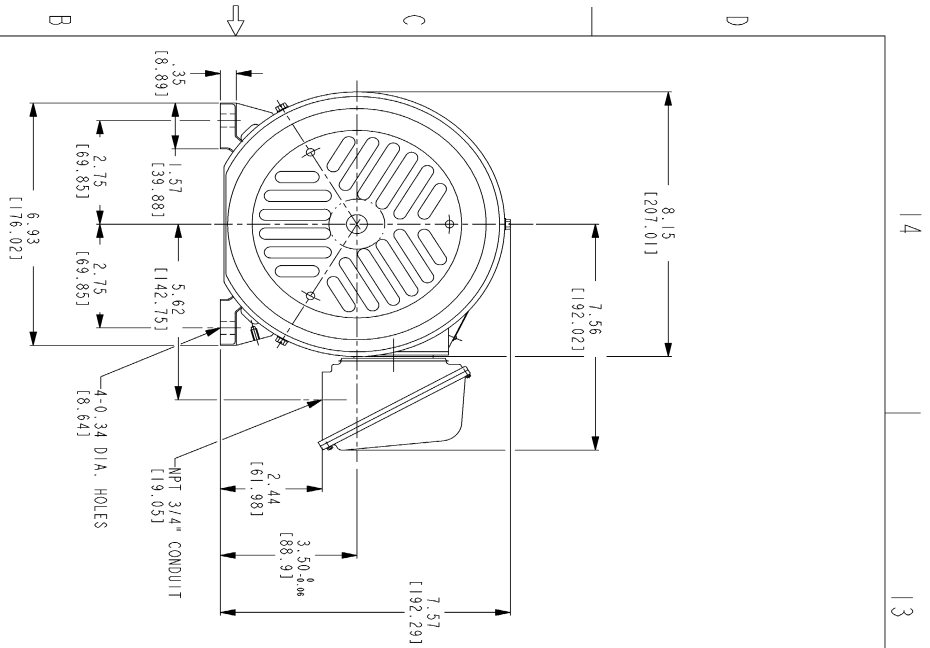
Open Circuit A-C:	0.269	Short Circuit D-C:	0.004
Short Circuit A-C:	0.008	X/R Ratio:	1.68
Stator Slots:	24	Rotor Slots:	28

**Speed Torque Current Curve (First Connection, First Speed)**

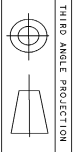


NAME:501291659 OBJECT:358B6269AA DATE:31-Dec-07 11:31:44

Marks:



- NOTES:
1. DIMENSIONS ARE IN INCHES.
  2. F-1 ASM AS SHOWN.
  3. F-2 ASM - HAS CONDUIT BOX ON OPPOSITE SIDE.
  4. BRACKETED DIMENSIONS ARE METRIC (MILLIMETERS)
  5. ICA11, IP94, IMB34 APPLY.



THIRD ANGLE PROJECTION

Part must conform to SI 900000 Sect 4, Toxicity Procedure

FOR ADDITIONAL INFO REFER TO:		SIGNATURES		DATE	
REFLECTED DIMENSIONS	DETAIL				
UNLESS OTHERWISE SPECIFIED	DETAIL				
DIMENSIONS ARE IN INCHES	DETAIL				
TOLERANCE ON:	DETAIL				
2 PL DECIMALS ±	DETAIL				
3 PL DECIMALS ±	DETAIL				
ANGLES ±	DETAIL				
FRACTIONS ±	DETAIL				
FINISH	DETAIL				
MATERIAL	DETAIL				
STEEL	DETAIL				
BRASS	DETAIL				
COPPER	DETAIL				
ALUMINUM	DETAIL				
OTHER	DETAIL				
ISSUED	DETAIL				
REVISED	DETAIL				
DATE	DETAIL				
BY	DETAIL				
CHECKED	DETAIL				
APPROVED	DETAIL				
DATE	DETAIL				
BY	DETAIL				
CHECKED	DETAIL				
APPROVED	DETAIL				
DATE	DETAIL				
BY	DETAIL				
CHECKED	DETAIL				
APPROVED	DETAIL				
DATE	DETAIL				
BY	DETAIL				
CHECKED	DETAIL				
APPROVED	DETAIL				
DATE	DETAIL				
BY	DETAIL				

REV.	DESCRIPTION	DATE	APPROVED

STANDARD NO. 358B6269AA REV 0 SHEET 1 OF 1

GENERAL ELECTRIC COMPANY

OUTLINE  
FTD - 143T TERC CE MARK  
471 CU IN CONDUIT BOX

358B6269AA REV 0

SCALE: C DRAWING SHEET 1 OF 1

Marks:

**Connection Diagram**  
**GEM2034E-FIG1**

