

# Product Information Packet

November 7, 2016

Data shown is for the current revision model #. Ensure your nameplate model # matches.

<b>Model Number:</b>	<b>5KS256ATE105A</b>
<b>Catalog Number:</b>	<b>E753</b>
<b>Instruction Manual:</b>	GEI-M1023
<b>Connection Diagram:</b>	GEM2034E-FIG10
<b>Outline Drawing:</b>	358B6216AB

Accessory Connection Diagrams			
<b>Bearing Thermocouple:</b>	None	<b>Heater:</b>	None
<b>RTD:</b>	None	<b>Thermistor:</b>	None
<b>Thermostat:</b>	None	<b>Winding Thermocouple:</b>	None
<b>Bearing RTD:</b>	None		

Table of Contents	
Specification	01
Performance Characteristics	02
Outline Drawing	03
Connection Drawing(s)	04

**Marks:**

<b>MODEL NUMBER:</b>	<b>5KS256ATE105A</b>	<b>Estimated Weight:</b>	450 Lbs
<b>Outline Drawing:</b>	358B6216AB	<b>Time Rating:</b>	CONT
<b>Connection Diagram:</b>	GEM2034E-FIG10	<b>Enclosure:</b>	DP
<b>Instruction Book:</b>	GEI-M1023	<b>Encl Construction:</b>	OPEN
<b>Design Code:</b>	25AD0010A	<b>Ambient Max(°C):</b>	40
<b>Type:</b>	KS	<b>Alt Ambient Max(°C):</b>	--
<b>Frame:</b>	256T	<b>Insulation Class:</b>	F
<b>Phases:</b>	3	<b>NEMA Design:</b>	A
<b>Poles:</b>	2	<b>Nominal Efficiency:</b>	91.7 %
<b>Output Power:</b>	25HP 18.5KW	<b>Guaranteed Efficiency:</b>	90.2
<b>RPM:</b>	3540	<b>3/4 Load Efficiency:</b>	92.6
<b>Voltage:</b>	230/460	<b>KVA Code:</b>	K
<b>Hertz:</b>	60	<b>Max KVAR:</b>	5.4
<b>Amps - FL:</b>	57/28.5	<b>Power Factor:</b>	89.5
<b>Service Factor:</b>	1.15	<b>Bearing - DE:</b>	6310ZZ
<b>Alt Service Factor:</b>	--	<b>Bearing - ODE:</b>	6208ZZ

Enclosure is Dripproof

---

**Stamped Nameplate Notes:****Additional Information:**

2 POLE DP  
 LRA: 514/257  
 NO. OF MOTOR LEADS: 12  
 CONDUIT BOX VOLUME (IN<sup>3</sup>): 110.9  
 CONDUIT BOX MTL: STAMPED STEEL  
 GREASE TYPE: SHELL ALVANIA R3 LITHIUM GREASE  
 USABLE AT 200V @ 25HP, 63.8AMPS @1.0 SF  
 50 HZ DATA: 25HP, 200/400V, 65.6/32.8 AMPS @1.0SF, 2930 RPM  
 SOUND POWER: 71  
 DMK, 06/04, UPDATED DATA 11/2004  
 INVERTER DUTY PER NEMA MG1 PART 31  
 FOR VARIABLE TORQUE LOADS

**Performance Characteristics**

1st Winding 1st Connection

**Design: 25AD0010A**

**Marks:**

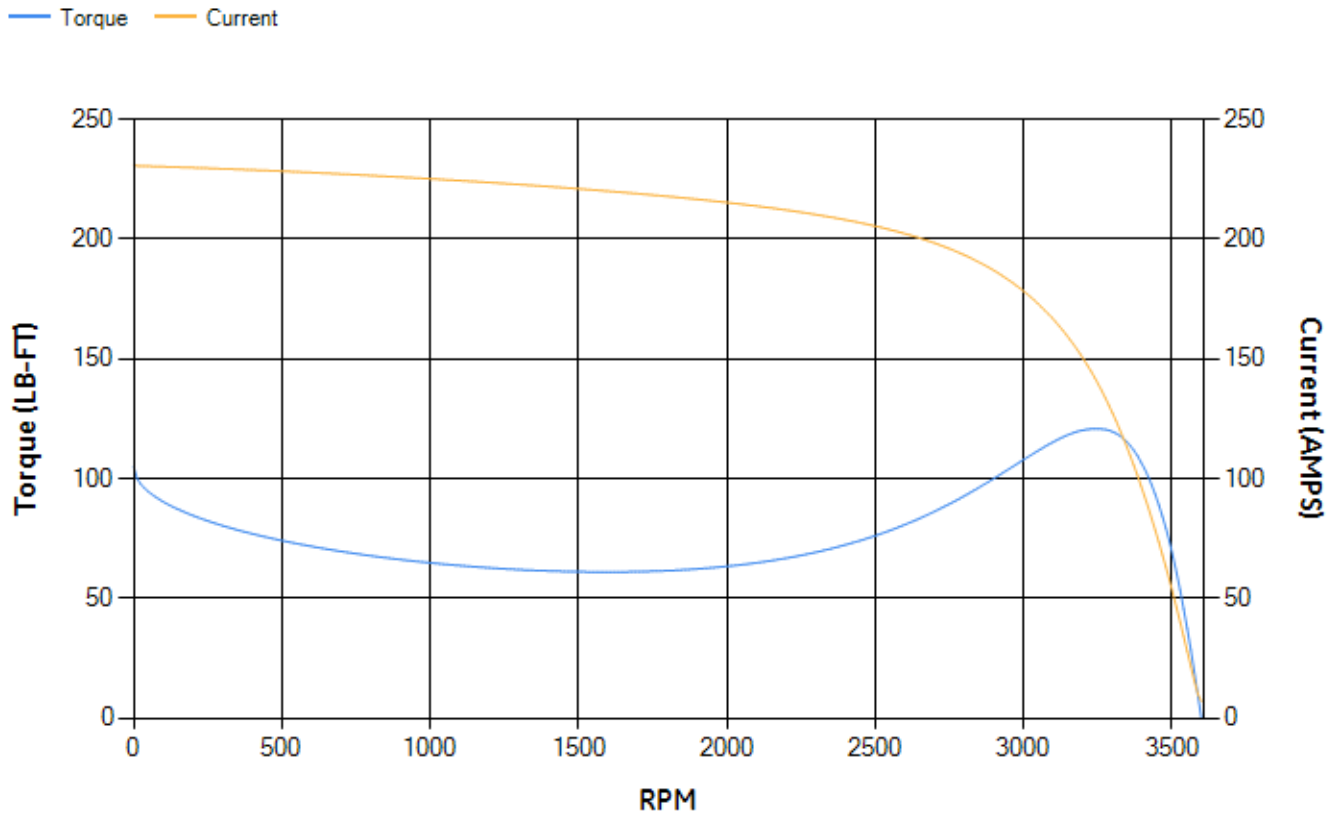
LOAD %	125.0	115.0	100.0	75.0	50.0	25.0	0.0
% EFF	91.38	91.74	92.4	92.59	92.07	88.36	0.00
% PF	92.69	92.52	92.01	90	84.54	67.22	9.74
AMPS	34.53	31.7	27.52	21.06	15.03	9.85	6.92

TORQ(FL)#FT	37.02	TORQ(LR)%FL	283.57	TORQ(BD)%FL	321.38
AMPS(LR)	230.64	PF AT START	0.36		

This motor is capable of two cold or one hot start with a maximum connected load inertia of 102 Lb-Ft Sq (4.29 Kg-meter Sq)at 100% voltage, where the load torque varies with the square of the speed. Acceleration time with maximum inertia and the above load type is 19 seconds. Safe stall time at 100% voltage is 31 seconds cold, 28 seconds hot. Rotor inertia is 1.29 Lb-Ft Sq (0.05 Kg-meter Sq).

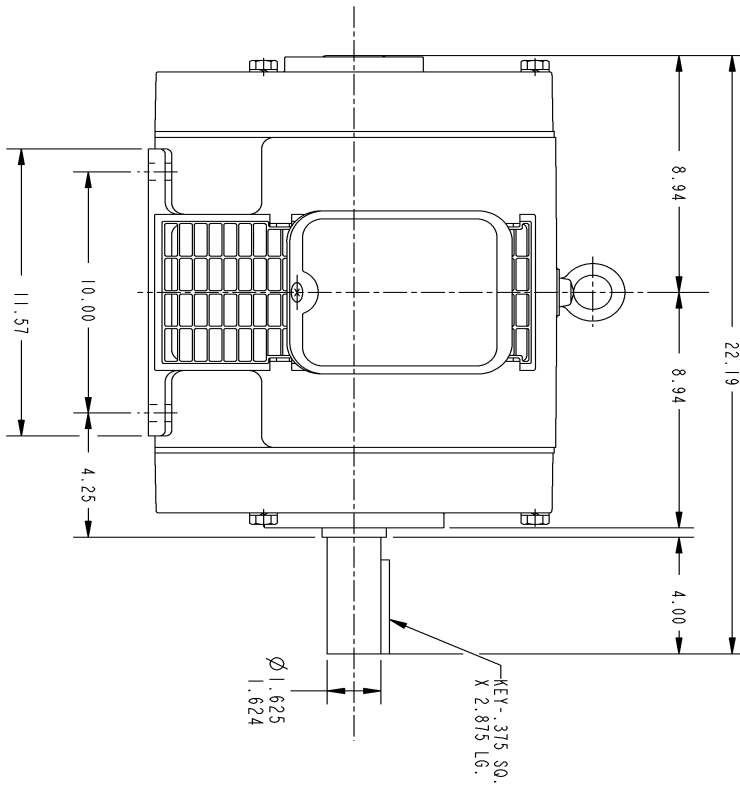
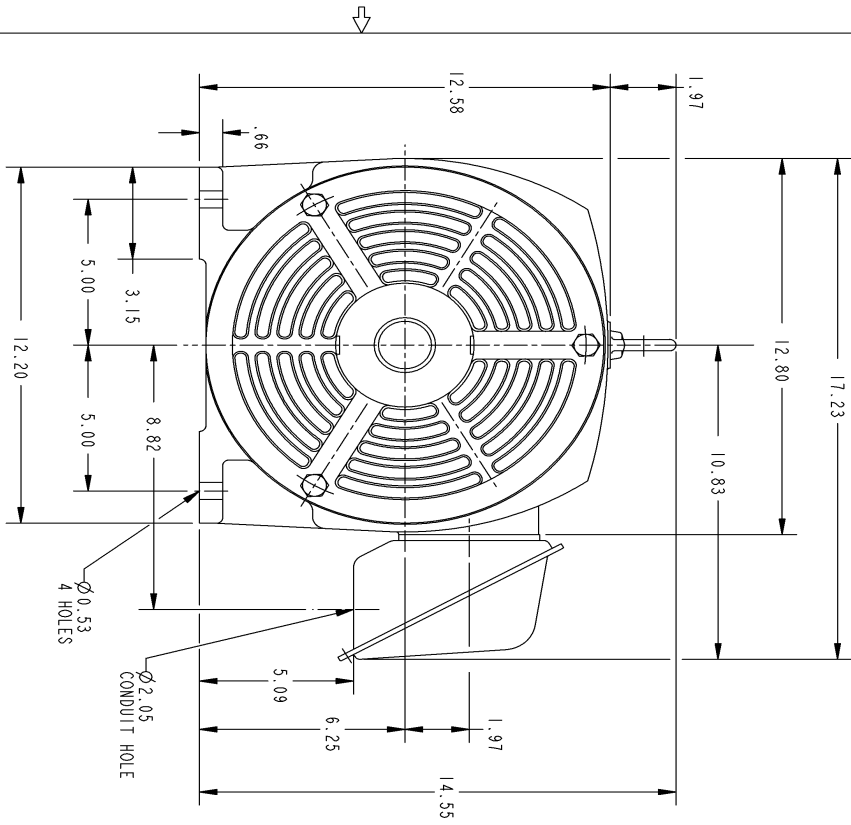
Open Circuit A-C:	0.696	Short Circuit D-C:	0.014
Short Circuit A-C:	0.017	X/R Ratio:	5.38
Stator Slots:	36	Rotor Slots:	44

**Speed Torque Current Curve (First Connection, First Speed)**



NAME:501452442 OBJECT:358B6216AB DATE:23-May-07 23:53:38

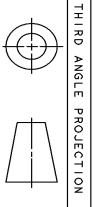
Marks:



SIZE DRAWING FOR  
**358B6216AB**  
 GE PROPRIETARY INNOVATION

REV.	DESCRIPTION	DATE	APPROVED
1	ISAAC 07-0770	05/02/07	R. KOHNE

- NOTES :
- CONDUIT BOX MAY BE PLACED WITH THE ENTRANCE DOWN, UP OR ON EITHER SIDE.
  - F-1 ASM AS SHOWN.
  - F-2 ASM - HAS CONDUIT BOX ON OPPOSITE SIDE.



UNLESS OTHERWISE SPECIFIED: DIMENSIONS ARE IN INCHES		SIGNATURES		DATE	
TOLERANCE ON: 2 PL DECIMALS ± .01 3 PL DECIMALS ± .005 ANGLES ± 1°		DRAWN P. RAJU		03/27/03	
MATERIAL:		CHECKED PRADHANAKAR		03/27/03	
APPLIED PRACTICES		ISSUED PRADHANAKAR		03/27/03	
SCALE: DRAWING SCALE		SIZE DRAWING <b>358B6216AB</b>		REV. <b>1</b>	

**GE Industrial Systems**  
 GENERAL ELECTRIC COMPANY  
 Fort Wayne, Indiana

**OUTLINE**  
 256T - OPEN DRIP PROOF

DISTRIBUTION:

Marks:

**Connection Diagram**  
**GEM2034E-FIG10**

