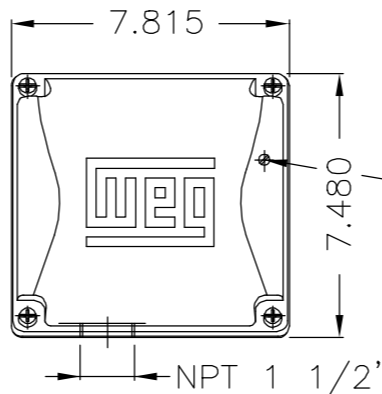


EIXO/SHAFT	
PADRÃO/STANDARD	X
OPCIONAL/OPTIONAL	
ESPECIAL/SPECIAL	

Dimensões em polegadas
Dimensions in inches

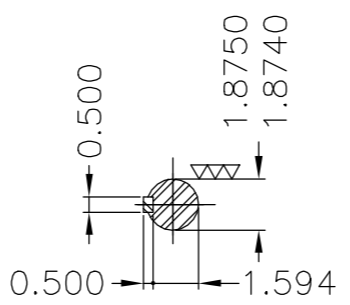
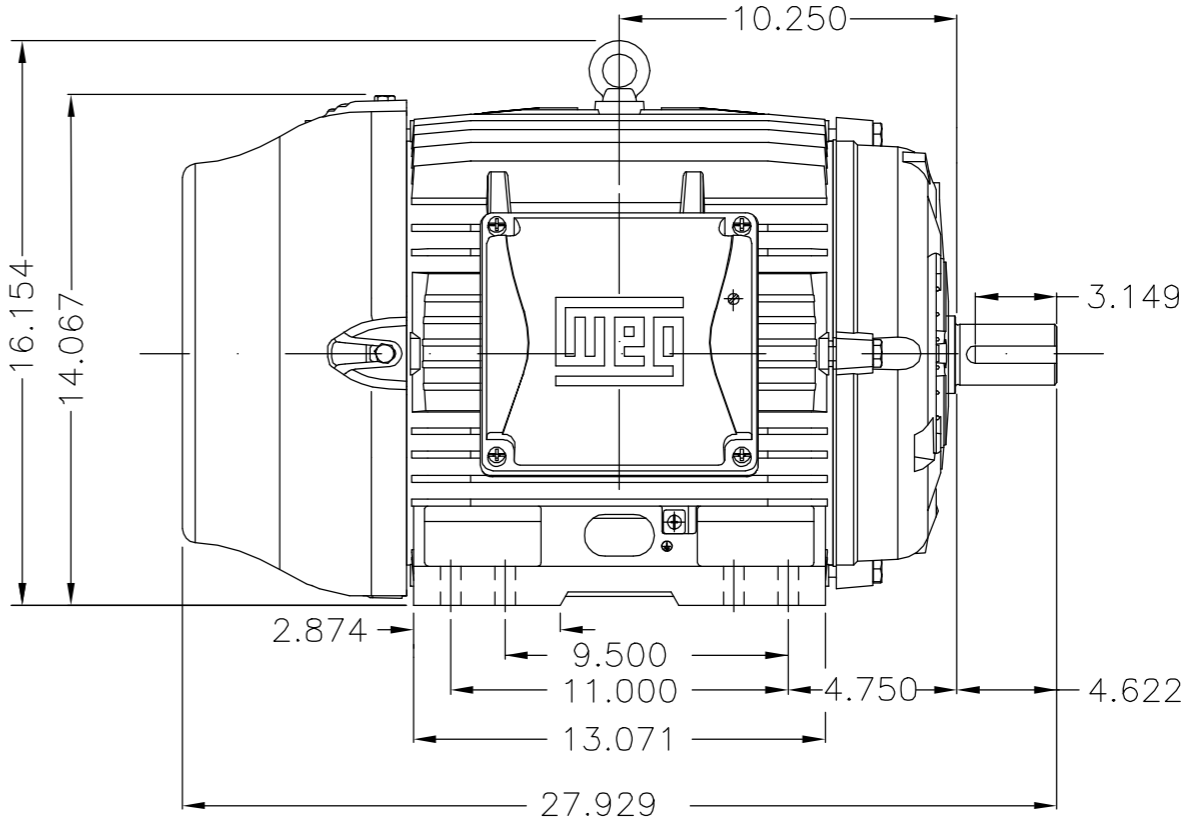
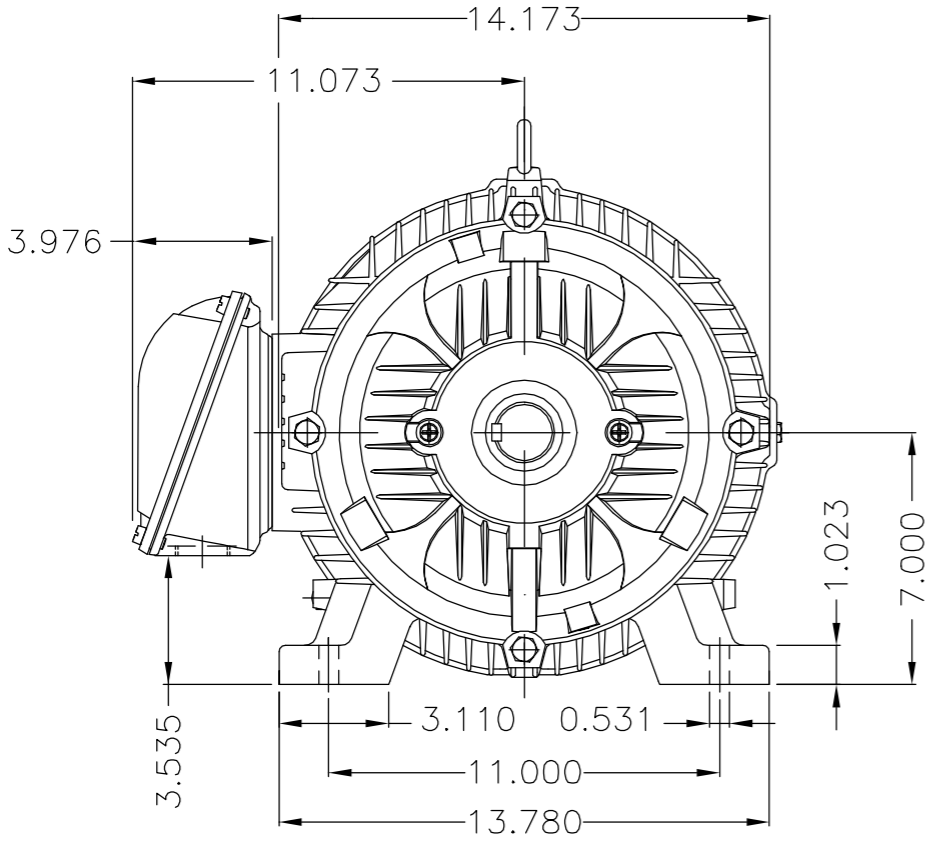
CERTIFIED WEG MOTORES
Certified document.
Not subject to changes.

THIS IS AN UPDATED REVISION, THE PREVIOUS ONE MUST BE DISREGARDED.



Grounding for leads 5.2-25mm²

Main terminal box



DE Shaft End

- Anel interno especial de fixação do rolamento dianteiro / Special internal fastening bearing cap of DE bearing
- Kit porta escova de aterramento AEGIS SGR-63.0-3MFH / Brush holder kit AEGIS SGR-63.0-3MFH
- Plano de pintura 203A / Painting plan 203A
- Forma construtiva NEMA F-1 / Mounting NEMA F-1
- Forma construtiva B3D / Mounting B3R(D)

WEG ELECTRIC CORPORATION - WEC

500001037256	REMOVED REPRESENTATION ATERR	ALESOMZ	ODORIZZI	18.07.2015	02		
500000884568	RETIRADO CARIMBO LOTE PILOTO	WILLIANR	DWAGNER	29.04.2014	01		
ECM	LOC	SUMMARY OF MODIFICATIONS	EXECUTED	CHECKED	RELEASED	DATE	VER
EXECUTED	SCARMAGNANI	THREE PHASE W22 MOTOR - NEMA PREMIUM EFF				10002804903	
CHECKED		FRAME 284/6T IP55				000	02
RELEASED	DAYANAR						
REL DT	09.04.2014	WMO	JARAGUA DO SUL	ENGENHARIA DE PRODUTO		SHEET	1 / 1

20 HP	06 Poles	60Hz	413384804/0	MEC	B
15 HP	06 Poles	60Hz	413384753/0	MEC	A



UNCONTROLLED COPY

RELEASED

ZME A3