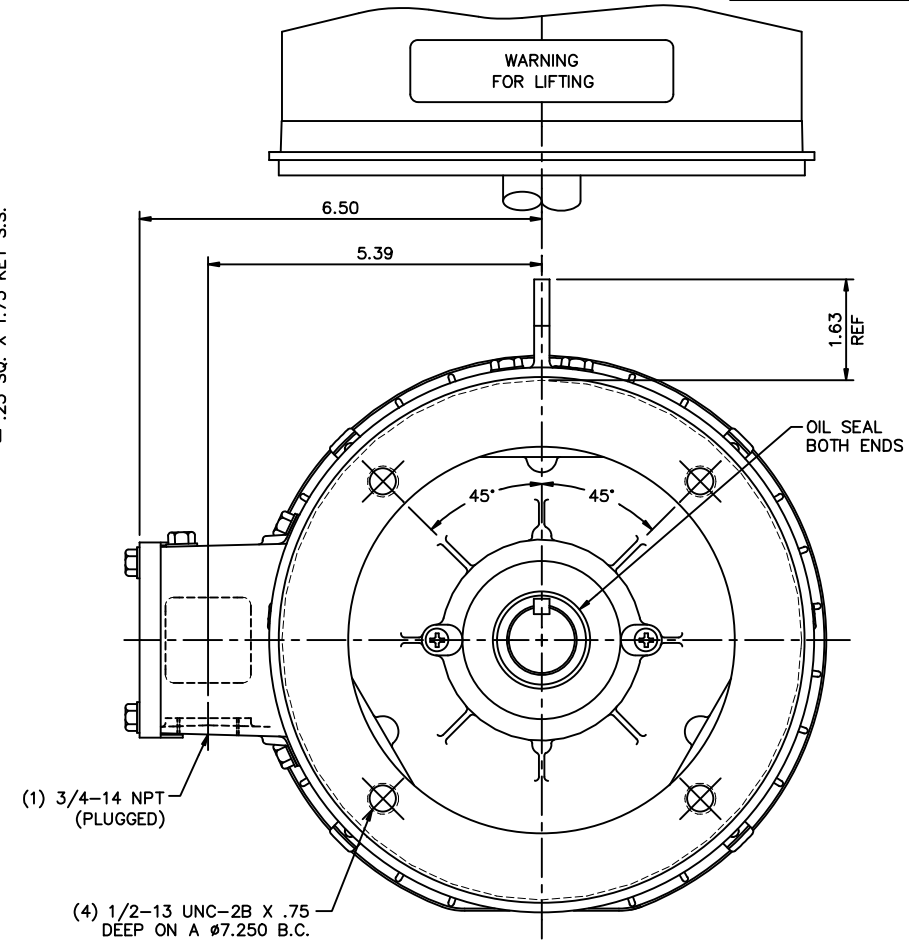


.25 SQ. X 1.75 KEY S.S.



MAXIMUM FACE RUNOUT TO BE .004 T.I.R.  
 MAXIMUM PILOT ECCENTRICITY TO BE .004 T.I.R.  
 PERMISSIBLE SHAFT RUNOUT TO BE .002 T.I.R.

**SPECIAL FEATURES:**

- 1) SHAFT SEALS & V-RING
- 2) DRAIN HOLES IN FRAME & CONDUIT BOX
- 3) STAINLESS STEEL SHAFT, HARDWARE & NAMEPLATE
- 4) GASKETS THROUGHOUT

DASH NO.	"C"	"AD"
900	14.47	8.25
950	14.97	8.75
1000	15.47	9.25
1050	15.97	9.75
1100	16.47	10.25
1150	16.97	10.75

				TOLERANCES UNLESS SPECIFIED		MARATHON ELECTRIC		DRAWN LST 10/15/03	
				DEC.	INCHES			CHK	
				.X	±.1	TITLE		APPD RW 10/15/03	
				.XX	±.03	OUTLINE- 180TC FRAME		SCALE 1=2	
02	PLUGGED CON BOX DR HOLE WAS IN BOTTOM PER 91496	GWS 12/17/07	PG	.XXX	±.005	TEFC- "C" FACE		REF 035481ME	
01	ADDED "CE" DECAL; ECR 84920	KLS 11/30/05	RDW	.XXXX	±.0005	WASHGUARD		FMF 139064	
NO.		REVISION	BY & DATE	CHK	ANG	±1/2'	FINISH	PREV	
THIS DRAWING IN DESIGN AND DETAIL IS OUR PROPERTY AND MUST NOT BE USED EXCEPT IN CONNECTION WITH OUR WORK ALL RIGHTS OF DESIGN AND INVENTION ARE RESERVED THIS IS AN ELECTRONICALLY GENERATED DOCUMENT - DO NOT SCALE THIS PRINT				RFP		CAD FILE	035481	SIZE	DRAWING NO.
				DIST				B	035481
									REV. 02